

SUPREME WALL GARDEN

ASSEMBLY INSTRUCTIONS



24/08/16

www.hallsgreenhouses.com

Please refer to website for the most up to date instructions.

SAFETY WARNING

1. **Always** wear protective glasses, shoes, gloves and headgear when handling glass – sharp edges can cause injury.
2. Broken glass is a safety hazard. Clean up immediately – dispose of with care.
3. Any difficulty in fitting glass, contact our Customer Service Department for advice – do not use force. Telephone 01242 676625 Option 1.

1. PREPARATION, SITE SELECTION AND MAINTENANCE

Site Selection – Important: Choose a sunny spot for your greenhouse, with as much protection from the wind as possible. In strong winds close all vents and doors. Observe all building regulations.

TOOLS REQUIRED - Screwdrivers (normal and crosshead), 10mm AF spanner or wrench, power drill and bits. Suitable fasteners with a “Philips” head (not a dome or flat head) will also be required depending on your wall construction, tape measure, spirit level and small step ladder.

ASSEMBLY - Important: Before starting assembly, check the parts against the parts list one section at a time to avoid mixing up bundles. Remove packs from the box in order to identify parts. If anything is missing, please contact our Customer Service Department on 01242 676625 Option 1, within 2 weeks of receipt.

MAINTENANCE - To keep your greenhouse clean, wash thoroughly with mild detergent solution. The glass may be cleaned with any cleaning solution which does not adversely affect the aluminium frame, acrylic panels, glazing gaskets and glazing clips. Ensure that the upper and lower door tracks are regularly cleaned to prevent an accumulation of debris.

NOTE – Retain these instructions for future use. We recommend that you include your greenhouse in your home insurance. Please recycle packaging.

PARTS LIST			SECTION →	2	3	4	5	6	7	8	9	TOTAL	
00400	M6 x 10mm SQUARE HEAD ALUMINIUM BOLT			12	17	14			3		36		82
00697	M6 ALUMINIUM HEX NUT			12	17	23	8		3	1	44		108
50391	BASE "J" CLIP			6									
08572	FRONT BASE RAIL (1920mm)			1									
12719	SIDE BASE RAIL (660mm)			2									
08580	BASE CORNER BRACKET (100mm)			2									
00500989	GROUND ANCHOR/BASE CORNER BRACKET (345mm)			2									
00402	No. 6 x 8mm PAN HEAD SELF-TAPPING SCREW				4				7				11
01717	DOOR TRACK SILL BAR (1862mm)				1								
12703	GABLE END BAR LEFT HAND (2433mm)				1								
12704	GABLE END BAR RIGHT HAND (2433mm)				1								
12401	DOOR TRACK SUPPORT, HORIZONTAL (631mm)				1								
08604	DOOR TRACK (1260mm)				1								
12701	DOOR END VERTICAL BAR LEFT HAND (1725mm)				1								
12702	DOOR END VERTICAL BAR RIGHT HAND (1725mm)				1								
01764	CORNER BRACKET (25mm)				2								
00136	m6 x 12mm CROPPED HEAD ALUMINIUM BOLT					9	8		1	4			22
01748	CURVED WALL GLAZING BAR (2416mm)					2							
12718	RIDGE BAR (632mm)					1							
12717	SIDE SILL BAR (633mm)					2							
12706	OUTER SHELF BAR / SIDE BRACE (631mm)					2				2			4
12713	UPPER SHELF FRONT SUPPORT LEFT HAND (615mm)					1							
12714	UPPER SHELF FRONT SUPPORT RIGHT HAND (615mm)					1							
12705	ROOF BRACE (631mm)					2							
00998	SELF ADHESIVE FOAM STRIP (6000mm)						1						
12722	WALL FIXING BRACKET						8						
12634	WIRE SHELF GRID 608 x 628									4			
12635	SHELF BRACKET									8			
12720	PLASTIC SEED TRAY									20			
12721	WIRE SHELF GRID 608 x 230									1			
12723	SMALL SHELF BRACKET									4			
12707	INTERMEDIATE SHELF BAR (631mm)									6			
12708	SHELF SIDE SUPPORT LEFT HAND (631mm)									1			
12709	SHELF SIDE SUPPORT RIGHT HAND (631mm)									1			
12710	SMALL SIDE SUPPORT (195mm)									2			
12711	HORIZONTAL SHELF SUPPORT (989mm)									2			
12712	WALL SHELF SUPPORT (440mm)									2			
12715	LOWER SHELF FRONT SUPPORT LEFT HAND (615mm)									2			
12716	LOWER SHELF FRONT SUPPORT RIGHT HAND (615mm)									2			
01795	ALUMINIUM SHELF (1215mm)									1			
01796	ALUMINIUM SHELF BRACKET									2			
00333-24	DOOR WEATHER SEAL (1684mm)								2				
00681	M6 STEEL HEX NUT								1				
00699	M4 STEEL HEX NUT								2				
00799	DOOR WHEEL								2				
01106	No. 6 x 16mm PAN HEAD SELF TAPPING SCREW								16				
01645	M4 STEEL WASHER								2				
01745	M4 x 16mm PAN HEAD MACHINE SCREW								2				
01747	M6 x 40mm MUSHROOM HEAD MACHINE SCREW								1				
12224	DOOR BOTTOM BAR SLIDER								2				
08611	DOOR WHEEL HOUSING (618mm)								1				
08610	TOP DOOR BAR (626mm)								1				
01726	INTERMEDIATE DOOR BAR (626mm)								2				
01727	BOTTOM DOOR BAR (626mm)								1				
01753	VERTICAL DOOR BAR (1684mm)								2				
01761	DOOR TRACK SUPPORT, VERTICAL (487mm)								1				
12223	DOOR TRACK SUPPORT SPACER TUBE								1				
08588	ROOF VENT STAY CAP (USUALLY SUPPLIED FITTED)									1			
08616	ROOF VENT STAY PEG									2			
08617	ROOF VENT STAY									1			
12220	M6 x 6 PAN HEAD MACHINE SCREW									4			
12221	M6 STEEL SQUARE FLAT NUT									4			
01730	ROOF VENT SIDE BAR (522mm)									2			
12222	ROOF VENT SILL (642mm)									1			
01738	ROOF VENT HINGE (602mm)									1			
08632	ROOF VENT BOTTOM BAR (602mm)									1			
00135	BENDABLE GLAZING CLIP											2	
00411-225	GLAZING STRIP (22500mm)											1	
00453	GLAZING SPRING CLIP											82	
00458	GLASS RETAINING CLIP											12	
00711	PLASTIC Z-SECTION (610mm)											4	
00689	GLAZING CAPPING (2500mm)											2	

2. BASE

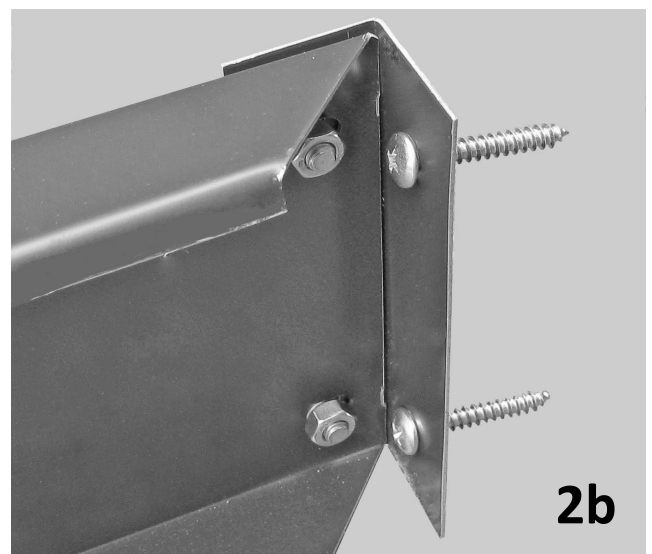
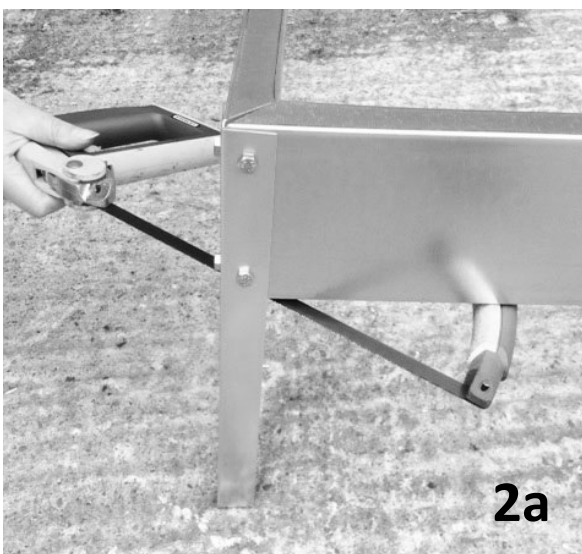
Ensure base is firm, square and level.

A prefabricated galvanised steel base is supplied. It should either be fixed using the ground anchors fastened in concrete pockets or drilled and fastened to concrete paving. For the latter, the ground anchors will need to be cut down with a hack saw level with the base for the second option as in picture 2a.

If the wall is not perpendicular, suitably shaped battens must also be fitted to ensure a good fit. Timber battens should be tanalised. Take care not to affect the damp proofing of the building to which the greenhouse is attached.

SECTION 2 PARTS LIST

00400	M6 x 10mm SQUARE HEAD ALUMINIUM BOLT	12
00697	M6 ALUMINIUM HEX NUT	12
50391	BASE "J" CLIP	6
08572	FRONT BASE RAIL (1920mm)	1
12719	SIDE BASE RAIL (660mm)	2
500989	GROUND ANCHOR / BASE CORNER BRACKET (345mm)	2
08580	BASE CORNER BRACKET (100mm)	2

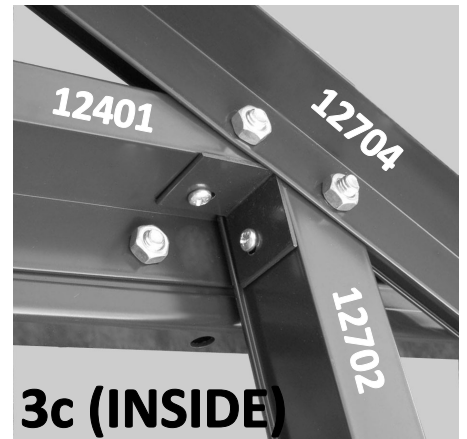
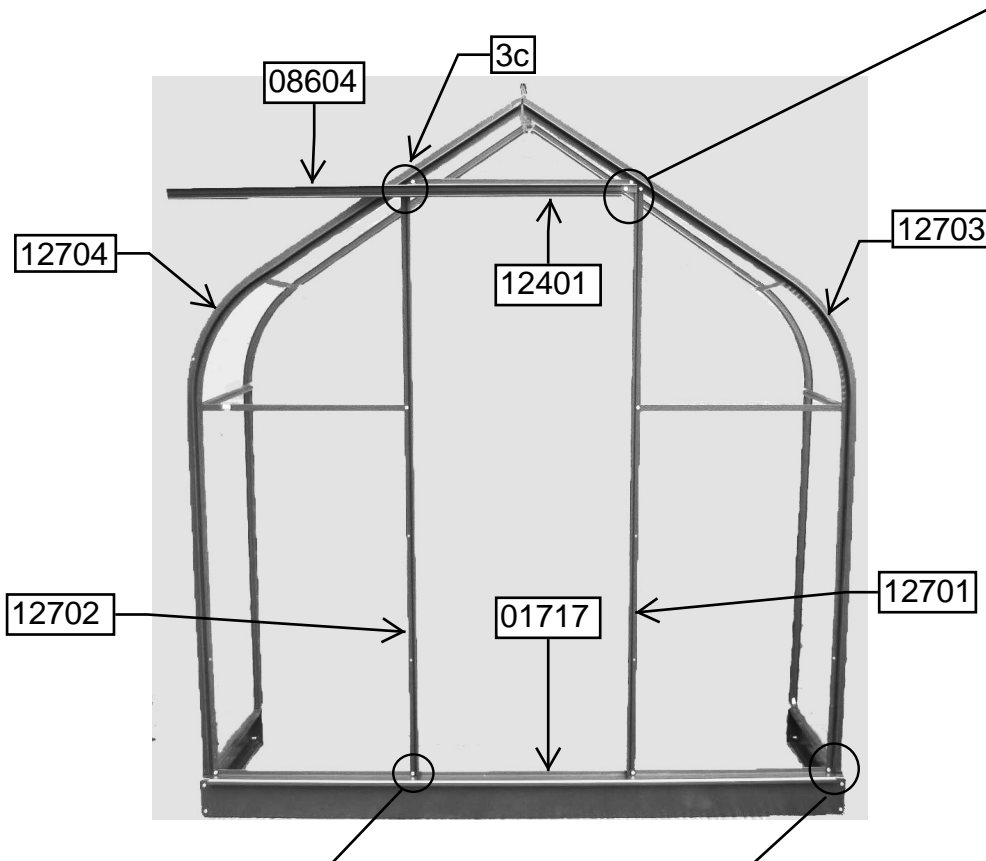


3. Door Gable End

Lay out 01717, 12401, 12701, 12702, 12703 and 12704 on the ground and bolt loosely together as shown using bolts 00400 and nuts 00697 (**3a**, **3c**, **3d**, **3e**). Secure parts 01764 corner brackets (x2) to 12401, 12701 and 12702 using screws 00402; **3c**. From the outside, loosely fit 2 bolts 00400 and nuts 00697 to 12401 and slide 08604 into place; **3b**. Fit bolt 00400 and nut 00697 to hole in 08604; **3a**.

SECTION 3 PARTS LIST

00400	M6 x 10mm SQUARE HEAD ALUMINIUM BOLT	17
00697	M6 ALUMINIUM HEX NUT	17
00402	No. 6 x 8mm PAN HEAD SELF-TAPPING SCREW	4
01717	DOOR TRACK SILL BAR (1862mm)	1
12703	GABLE END BAR LEFT HAND (2433mm)	1
12704	GABLE END BAR RIGHT HAND (2433mm)	1
12401	DOOR TRACK SUPPORT, HORIZONTAL (631mm)	1
08604	DOOR TRACK (1260mm)	1
12701	DOOR END VERTICAL BAR LEFT HAND (1725mm)	1
12702	DOOR END VERTICAL BAR RIGHT HAND (1725mm)	1
01764	CORNER BRACKET (25mm)	2



4. Assembly (N.B. SMALL PHOTOS OPPOSITE ARE FROM INSIDE)

Slide 2 bolts 00400 into each end of each 01748 **4a**.

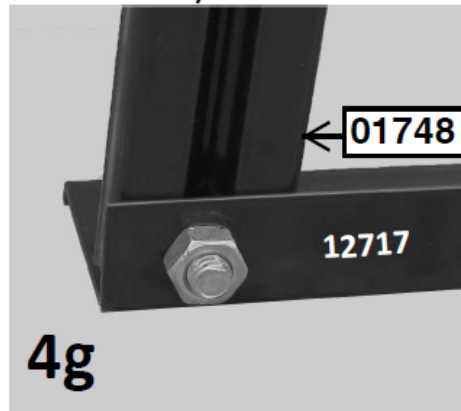
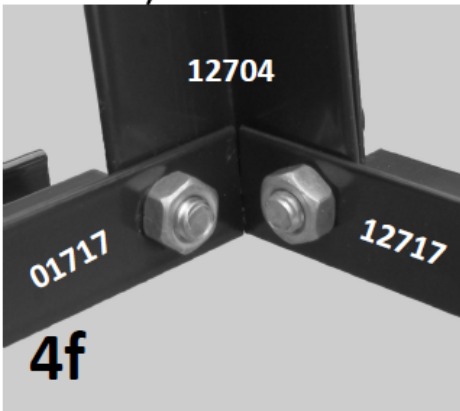
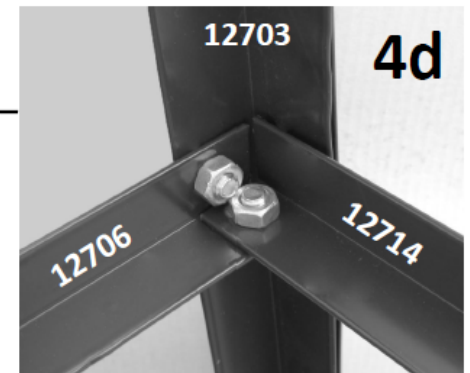
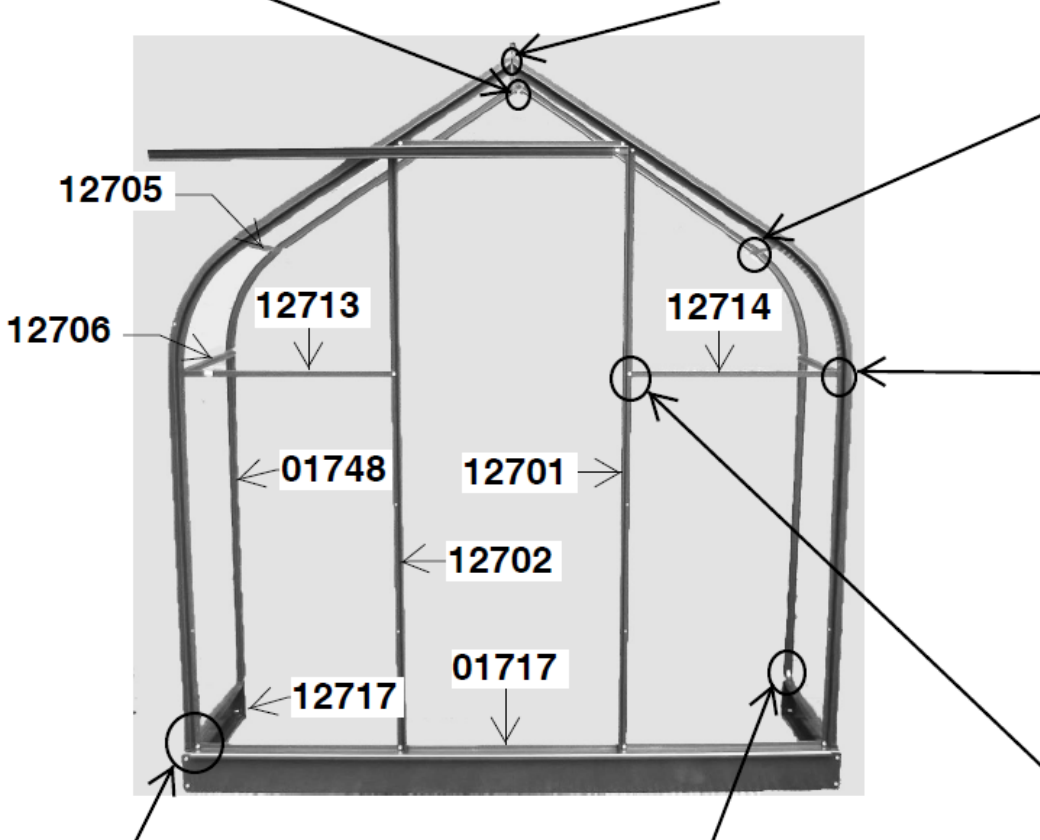
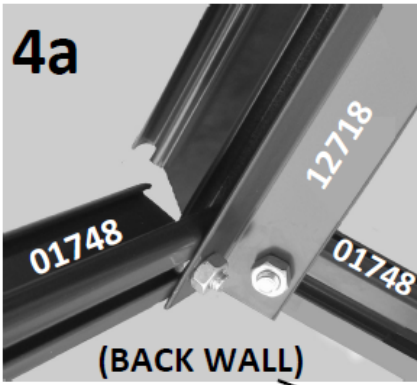
Using bolts 00400 and nuts 00697 secure parts 12705 (x2) **4c**, 12706 (x2) **4d**, 12717 (x2) **4g** to 01748 (x2).

Then 12718 to 12703 and 12704 **4b**, and secure 12713 to 12706, then 12701 and 12714 to 12706 **4e/4d** (note holes are offset) and 12702.

Ensure that the frame is square and tighten all fixings.

SECTION 4 PARTS LIST

00400	M6 x 10mm SQUARE HEAD ALUMINIUM BOLT	23
00697	M6 ALUMINIUM HEX NUT	23
01748	CURVED WALL GLAZING BAR (2416mm)	2
12718	RIDGE BAR (632mm)	1
12717	SIDE SILL BAR (633mm)	2
12706	OUTER SHELF BAR / SIDE BRACE (631mm)	2
12713	UPPER SHELF FRONT SUPPORT LEFT HAND (615mm)	1
12714	UPPER SHELF FRONT SUPPORT RIGHT HAND (615mm)	1
12705	ROOF BRACE (631mm)	2



5. Installation

Fit self-adhesive draught excluder 00998 to each 01748; **5a.**

Lift the building onto the base.

Using cropped headed bolts 00136 and nuts 00697, secure 12722 (x8) in suitable locations to fix to wall, avoiding holes in frame on front gables where the shelves will be fitted later; **5b.**

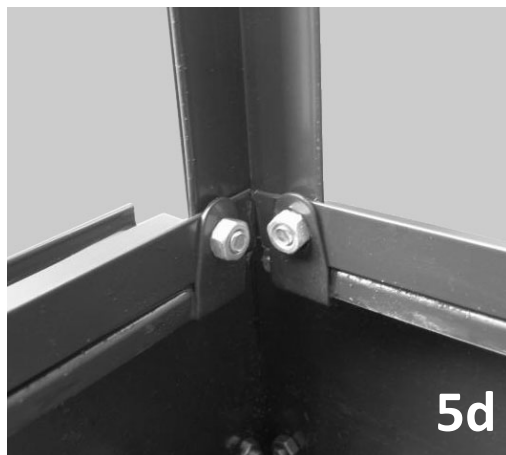
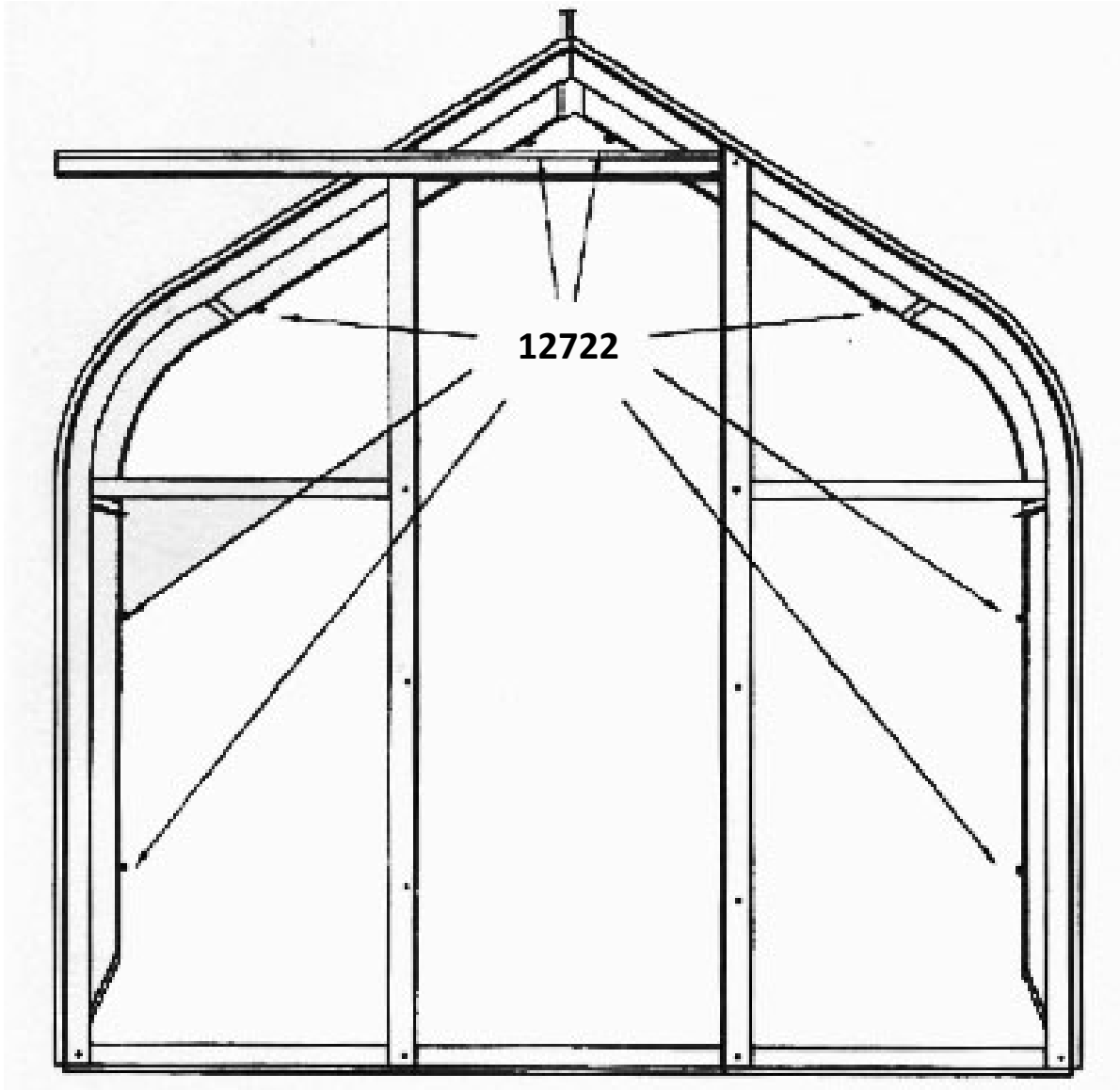
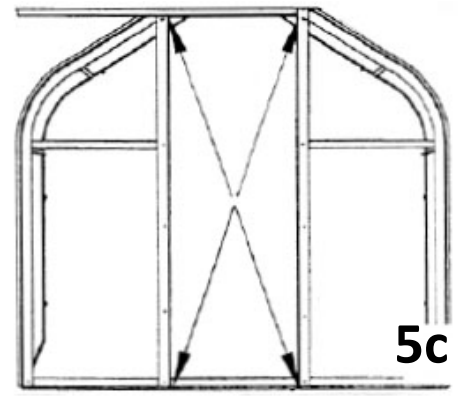
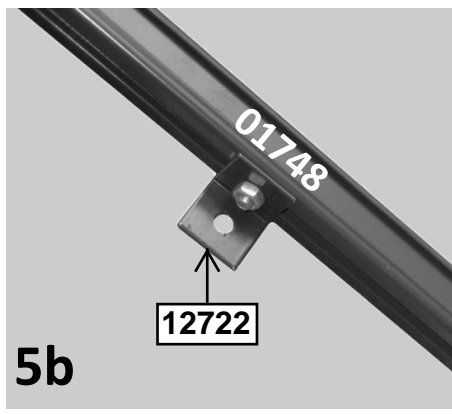
Ensuring that the building is square, the diagonal measurements (**5c**) are equal and using a spirit level on 12718, the roof ridge bar is level, mark through the holes in 12722 onto the wall.

Fasten the greenhouse to the wall using fixings suitable for your wall (not supplied) with a “Philips” head as opposed to a dome or flat head screw. Fix the greenhouse to the base using 6 x 50391, the J shaped clips supplied, by hooking them under the lip on the top inside of the base, undoing the nut at the bottom of the vertical uprights (12701, 12702, 12703 and 12704) hooking the J clip onto the bolt, then do the nut back up as shown in **5d.**

Check again the squareness of the building (**5c**) before tightening wall fixings and re-tighten fasteners if necessary.

SECTION 5 PARTS LIST

00697	M6 ALUMINIUM HEX NUT	8
00136	m6 x 12mm CROPPED HEAD ALUMINIUM BOLT	8
00998	SELF ADHESIVE FOAM STRIP (6000mm)	1
12722	WALL FIXING BRACKET	8



6. Door

Lay parts out on the ground. It is essential to get the door profiles the correct way round. Push 12224 (x2) into each end of 01727 and assemble door as shown in **6a**, **6b**, **6c** (note photos are from the inside). It is easier to use an electric drill on the lowest torque setting to drill in the 01106 screws.

Making sure the wheels are the correct way round before attaching them as in picture **6d** with the nodule facing the metal, fit wheels 00799 (x2) to 08611 (**6d**). Attach 08611 to 08610 (**6e**).

Place the door weather seal 00333-24 into a bucket of warm soapy water. Apply diluted washing up liquid down the bars 01753 before inserting the seal. Insert weather seal 00333-24 into each 01753 and, ensuring that it is not stretched, cut to length (**6f**). The easiest way to get the weather seal in is by pushing one side in from top to bottom then use a large spoon or small, smooth round spanner to push the other side in.

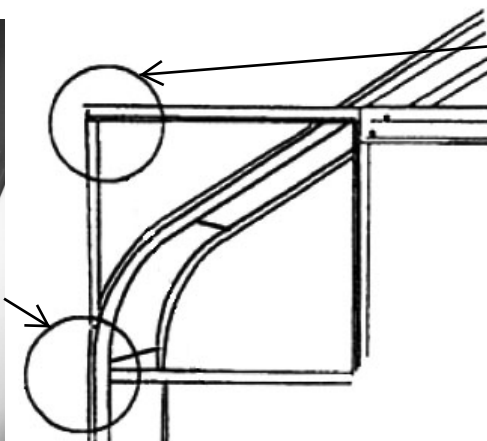
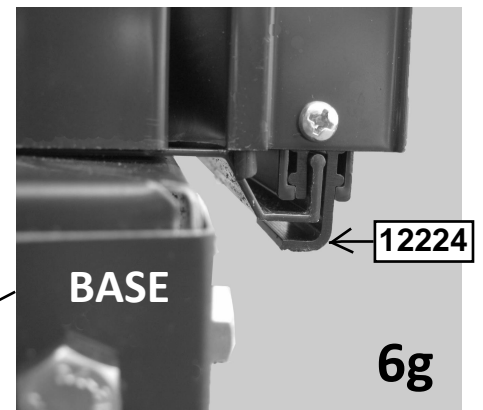
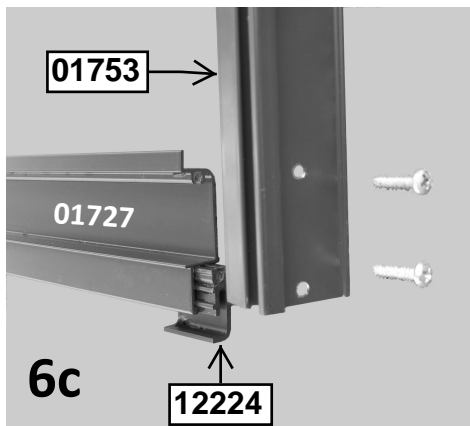
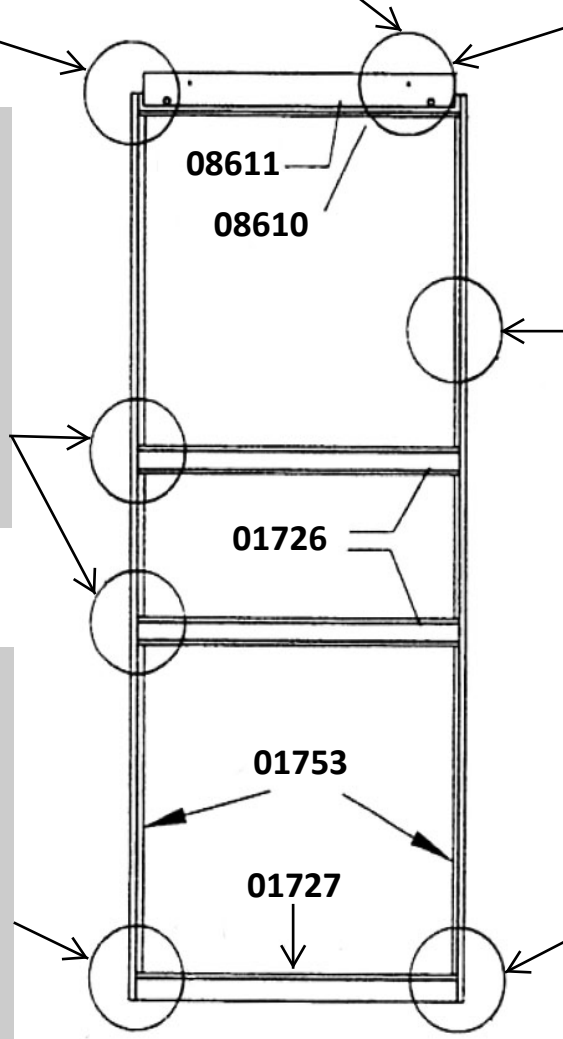
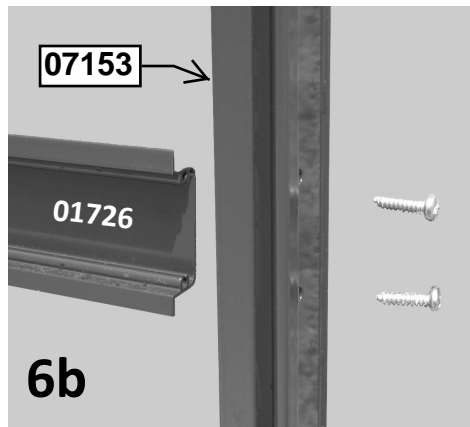
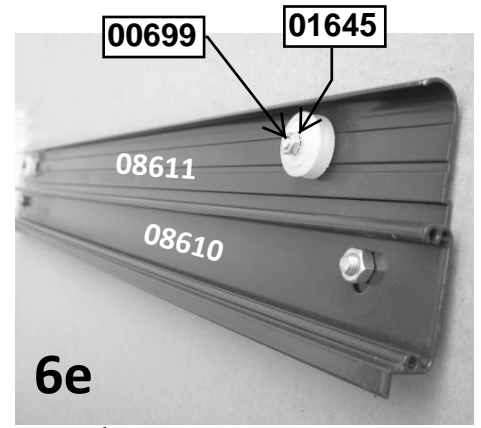
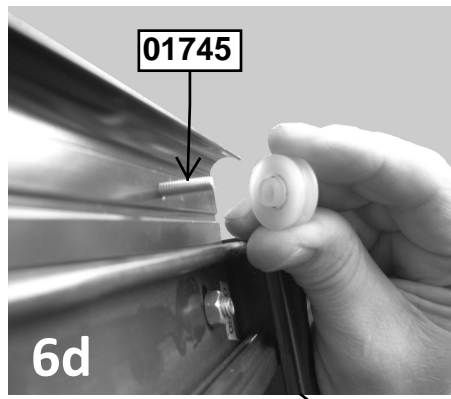
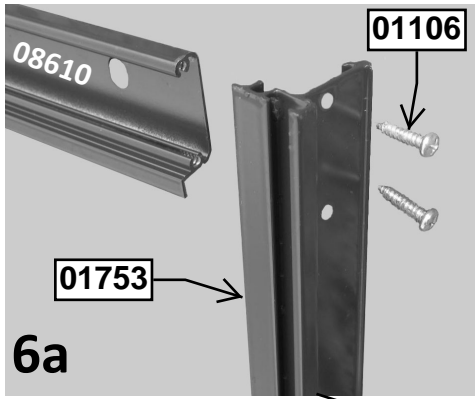
Slide door onto track 08604 ensuring that 12224 fits around 01717 as shown in **6g**.

Fit 01761 to 12704 using screw 01747, spacer tube 12223 and nut 00681 (**6h**) and to 08604 using bolt 00400 and nut 00697 (**6i**). Note that 01761 will not be dead straight!

Adjust 08611 using the bolts and nuts in 08610 so that the door runs smoothly but doesn't pop out at the top.

SECTION 6 PARTS LIST

00400	M6 x 10mm SQUARE HEAD ALUMINIUM BOLT	3
00697	M6 ALUMINIUM HEX NUT	3
00333-2	DOOR WEATHER SEAL (1684mm)	2
00681	M6 STEEL HEX NUT	1
00699	M4 STEEL HEX NUT	2
00799	DOOR WHEEL	2
01106	No. 6 x 16mm PAN HEAD SELF TAPPING SCREW	16
01645	M4 STEEL WASHER	2
01745	M4 x 16mm PAN HEAD MACHINE SCREW	2
01747	M6 x 40mm MUSHROOM HEAD MACHINE SCREW	1
12224	DOOR BOTTOM BAR SLIDER	2
08611	DOOR WHEEL HOUSING (618mm)	1
08610	TOP DOOR BAR (626mm)	1
01726	INTERMEDIATE DOOR BAR (626mm)	2
01727	BOTTOM DOOR BAR (626mm)	1
01753	VERTICAL DOOR BAR (1684mm)	2
01761	DOOR TRACK SUPPORT, VERTICAL (487mm)	1
12223	DOOR TRACK SUPPORT SPACER TUBE	1



7. Vent

Fit 12222 to 01748 and 12704 using self-tapping screw 402 in the pre-drilled hole (**7a**) and cropped headed bolt in 01748 for the slot (**7b**).

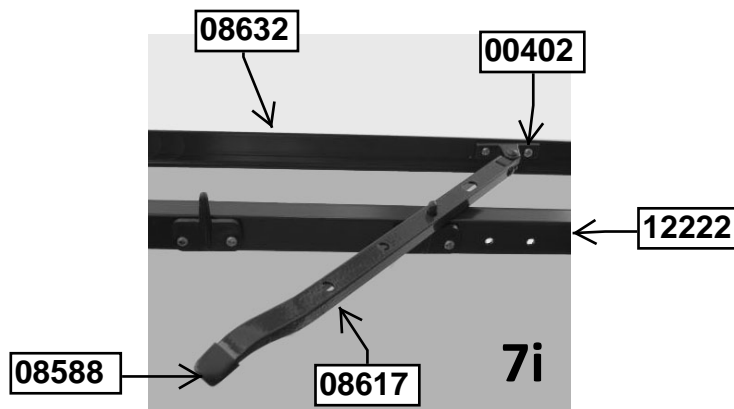
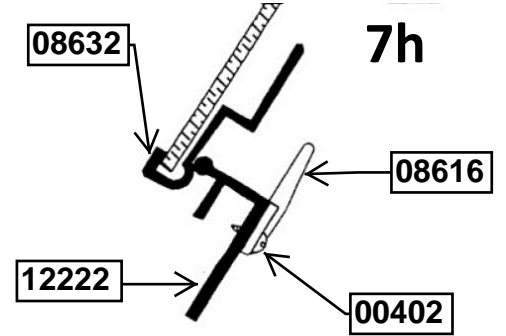
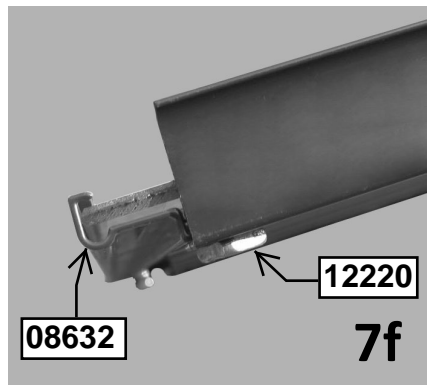
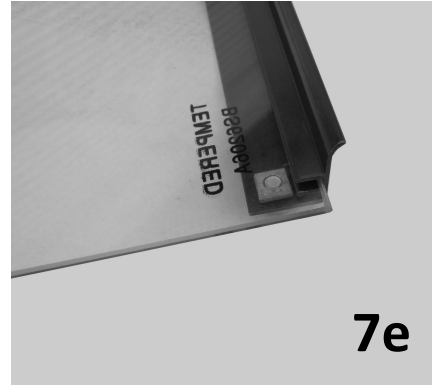
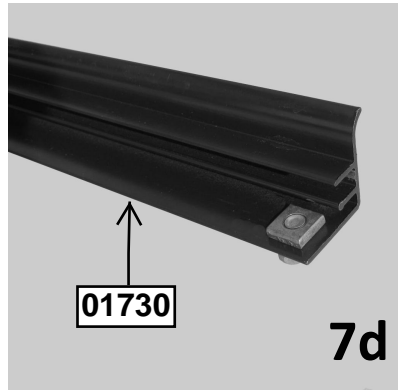
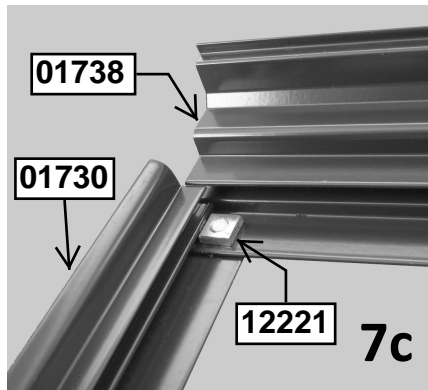
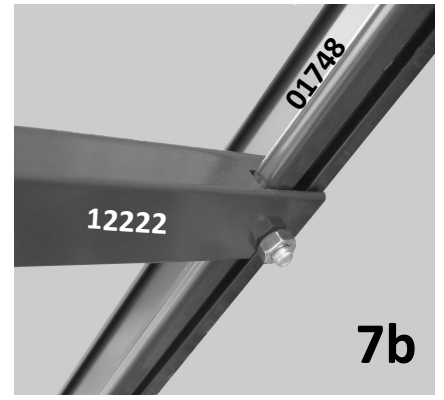
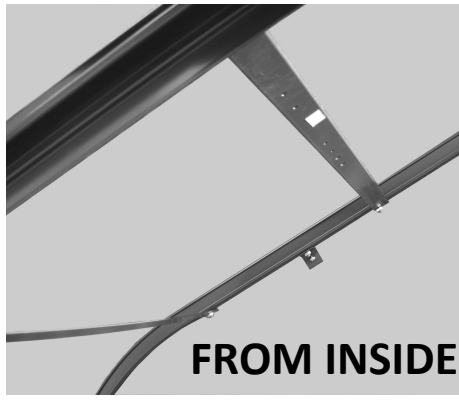
Assemble vent around glazing using screws 12220 and nuts 12221 (**7c, 7d, 7e, 7f**).

Slide vent onto 12718 (**7g**) and fit stay pegs 08616 and stay 08617 using screws 00402 (**7h**).

End cap 08588 should already be fitted to 08617 as shown **7i**.

SECTION 7 PARTS LIST

00697	M6 ALUMINIUM HEX NUT	1
00402	No. 6 x 8mm PAN HEAD SELF-TAPPING SCREW	7
00136	m6 x 12mm CROPPED HEAD ALUMINIUM BOLT	1
08588	ROOF VENT STAY CAP (USUALLY SUPPLIED FITTED)	1
08616	ROOF VENT STAY PEG	2
08617	ROOF VENT STAY	1
12220	M6 x 6 PAN HEAD MACHINE SCREW	4
12221	M6 STEEL SQUARE FLAT NUT	4
01730	ROOF VENT SIDE BAR (522mm)	2
12222	ROOF VENT SILL (642mm)	1
01738	ROOF VENT HINGE (602mm)	1
08632	ROOF VENT BOTTOM BAR (602mm)	1



8. Shelves

All fixings to the wall should be made using fixings as in 5 above (not supplied). Start at the bottom. Use 00136 cropped head bolts and 00697 nuts to secure parts to 01748. All other fixings use 00400 square head bolts and 00697 nuts.

ROW 1: Fit brackets 12635 to parts 12701, 12702, 12703 and 12704 (**8a**). Fit 2 more brackets 12635 to the wall at the same height to support 2 grids 12634. Tighten all fixings.

ROW 2: Assemble parts 12706 x 2 (make sure these are level using a spirit level before attaching), 12707 x 2, 12716 X 2 and 12715 x 2 (**8b**). Also see **4d**. Secure 12716 to wall. Do not tighten fully. Repeat on other side and fit 2 grids 12364. Fit smaller grid 12721 between parts 12707 using brackets 12723.

ROW 3: Lay all the parts on the ground to start with, in roughly the position they will be in once fitted. Assemble parts 12707, 12709 and 12710 to 12712 and 12713 (**8c**).

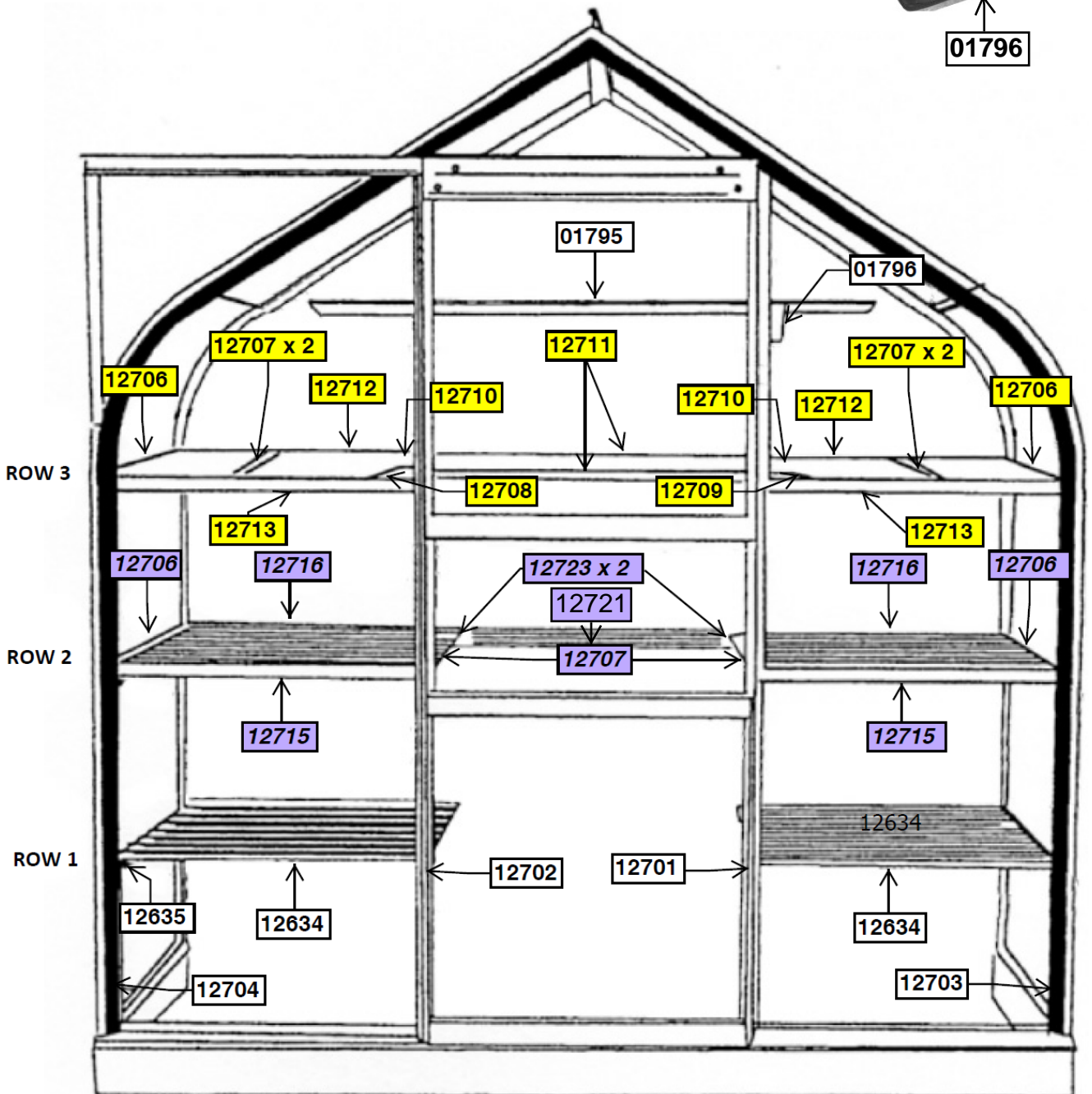
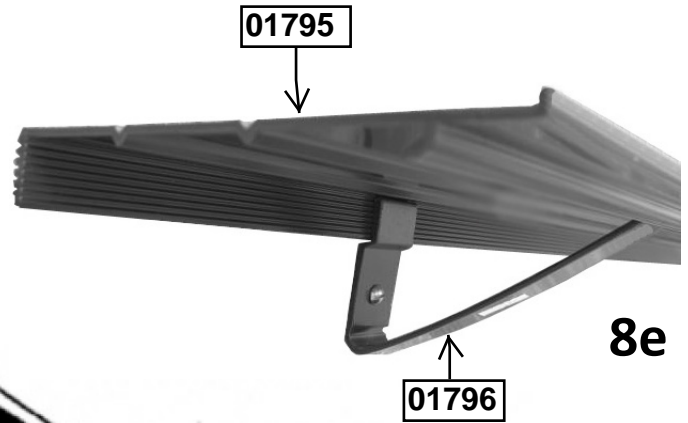
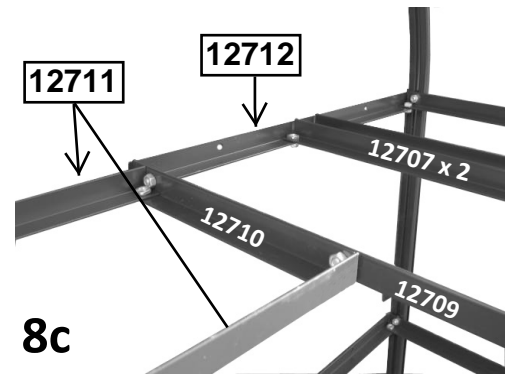
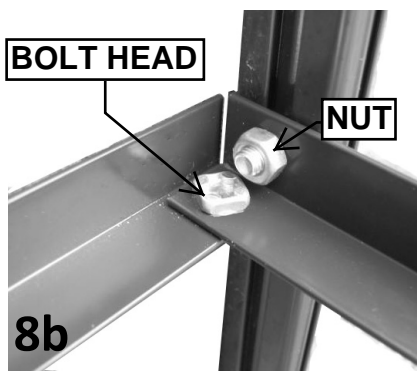
Repeat for the other side using 12708 in place of 12709.

Fit parts 12711 between the two supports 12710 (**8c**). This assembly holds seed trays 12720 (**8d**).

Finally, attach the shelf 01795 to the wall using brackets 01796 (**8e**). You may need to bend the bracket to be able to screw it to the wall. Then bend back.

SECTION 8 PARTS LIST

00400	M6 x 10mm SQUARE HEAD ALUMINIUM BOLT	36
00697	M6 ALUMINIUM HEX NUT	44
00136	M6 x 12mm CROPPED HEAD ALUMINIUM BOLT	4
12706	OUTER SHELF BAR / SIDE BRACE (631mm)	4
12634	WIRE SHELF GRID 608 x 628	4
12635	SHELF BRACKET	8
12720	PLASTIC SEED TRAY	20
12721	WIRE SHELF GRID 608 x 230	1
12723	SMALL SHELF BRACKET	4
12707	INTERMEDIATE SHELF BAR (631mm)	6
12708	SHELF SIDE SUPPORT LEFT HAND (631mm)	1
12709	SHELF SIDE SUPPORT RIGHT HAND (631mm)	1
12710	SMALL SIDE SUPPORT (195mm)	2
12711	HORIZONTAL SHELF SUPPORT (989mm)	2
12712	WALL SHELF SUPPORT (440mm)	2
12715	LOWER SHELF FRONT SUPPORT LEFT HAND (615mm)	2
12716	LOWER SHELF FRONT SUPPORT RIGHT HAND (615mm)	2
01795	ALUMINIUM SHELF (1215mm)	1
01796	ALUMINIUM SHELF BRACKET	2



9. Glazing – Please refer again to SAFETY WARNING on PAGE 1.

Fit glazing strip 00411 (**9a**) on all the vertical profiles.

Glass is secured with spring clips 00453 (**9b**).

Retaining strip 00711 is used to join the acrylic to the glass.

LONG PANE TOUGHENED GLAZING

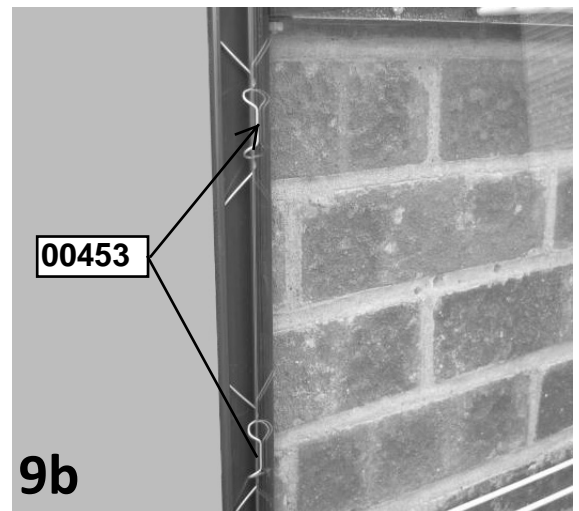
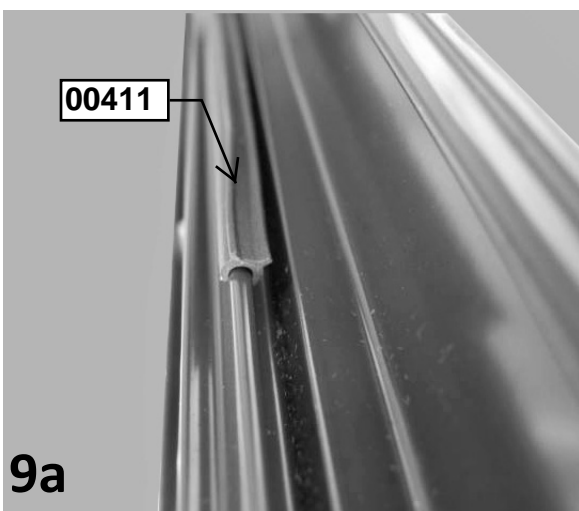
Start glazing from the bottom, centralising each sheet of glass between the glazing bars and securing using 4 of "W" spring wire clips, 00453, per side. Before fitting the acrylic, start on the roof. Ensure that the glass fits under the ridge and vent sill. Secure with "W" clips. Then fit the Black Plastic "Z" Section **00711** (widest part for the glass) to the bottom of the roof pane, making sure it is pushed as far onto the glass as it will go. Peel the film off **BOTH** sides of the acrylic panels.

Then slot the acrylic panel underneath the glass into the Black Plastic **00711**, again pushing it in as far as it will go.

Then fit the other "Z" Section **00711** onto the bottom pane of glass making sure the acrylic will overlap the glass once fitted. Then slot the acrylic panel into that "Z" Section.

Next fit 3 "W" Spring Clips to either side of the acrylic panel. Finally, fit capping 00689 to the front of 12703 and 12704 (**9c**).

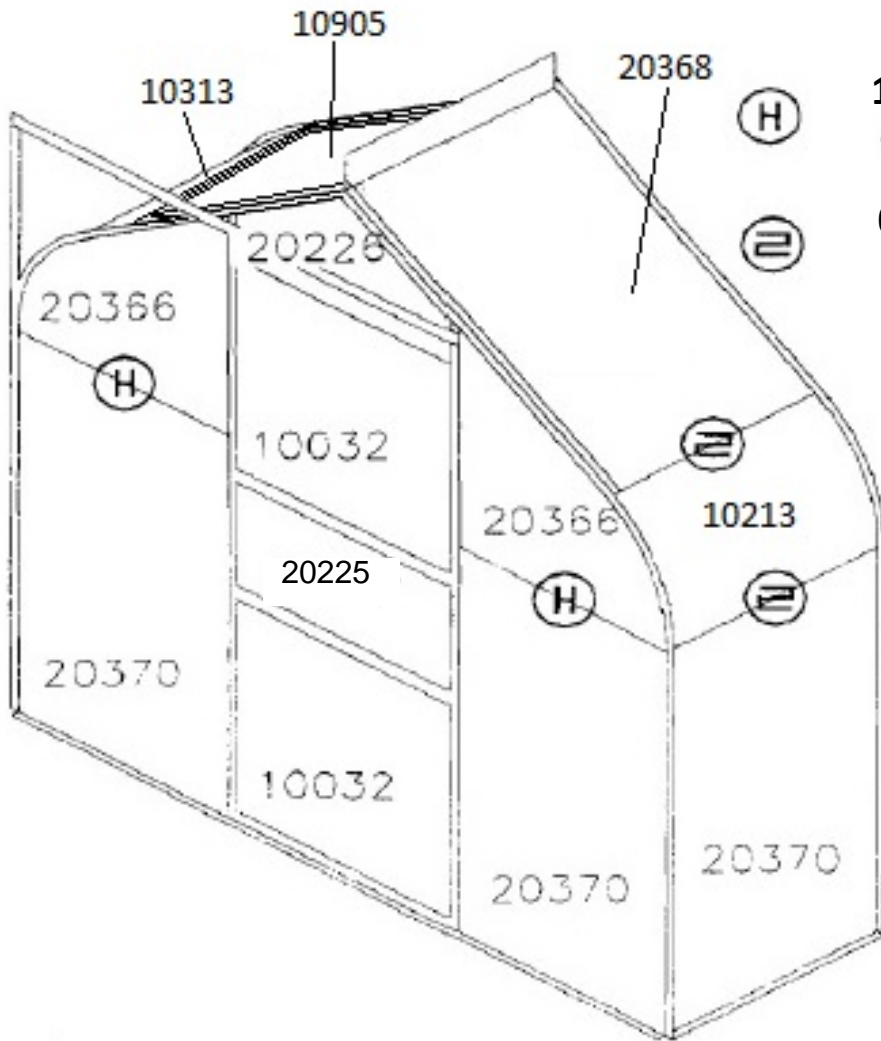
If you wish to fit flashing (not supplied) over the joint between the greenhouse and the wall, this may be done now. To help prevent panes blowing out in strong winds, clear silicone sealant (not supplied) may be applied around the glazing clips and corners of each pane.



GLAZING PLAN FOR LONG PANE TOUGHENED GLASS

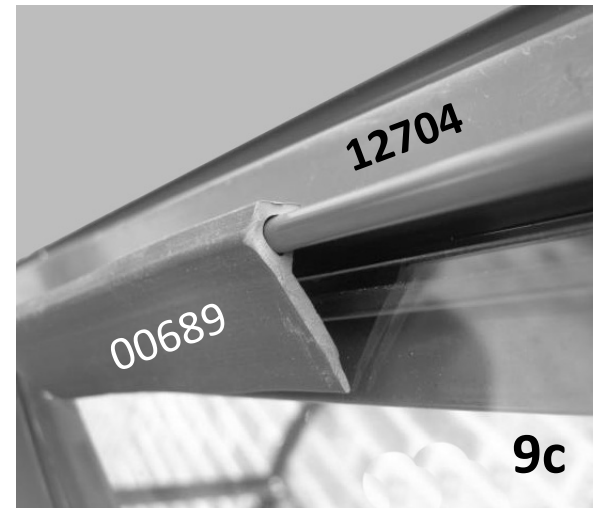
"Z" clips 00458 and Bendable Clips 00135 are **NOT** required for the long pane, only Horticultural Glass on the following page.

The roof glass should be fully inserted into the ridge bar before securing the Acrylic Panel with the Spring Clips 00453.



12467 CLEAR "H" SECTION

00711 BLACK PLASTIC "Z" SECTION



CODE	DESCRIPTION	QUANTITY
10032	610 x 610mm Toughened Glass	2
10213	610 x 460mm CLEAR Acrylic Panel	2
10313	610 x 356mm Toughened Glass	1
10905	600 x 544mm Toughened Glass	1
20225	610 x 300mm Toughened Glass	1
20226	610 x 217 x 19mm Toughened Glass Shape	1
20366	610 x 620mm Toughened Glass Curved	2
20368	610 x 895mm Toughened Glass	1
20370	610 x 1105mm Toughened Glass	4
00711	Black Plastic "Z" Section 610mm (in main pack)	4
12467	Clear Plastic "H" Section 610mm	2

SPLIT PANE HORTICULTURAL GLAZING PLAN

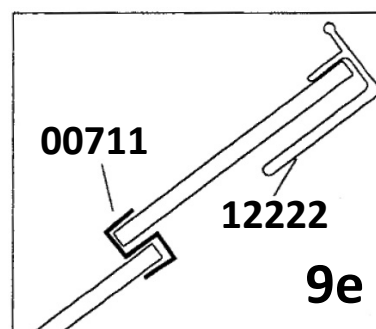
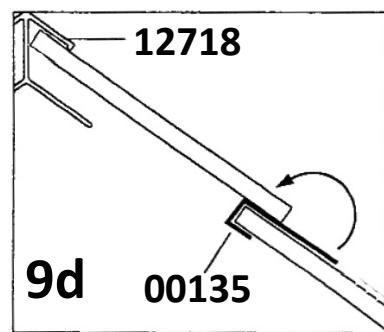
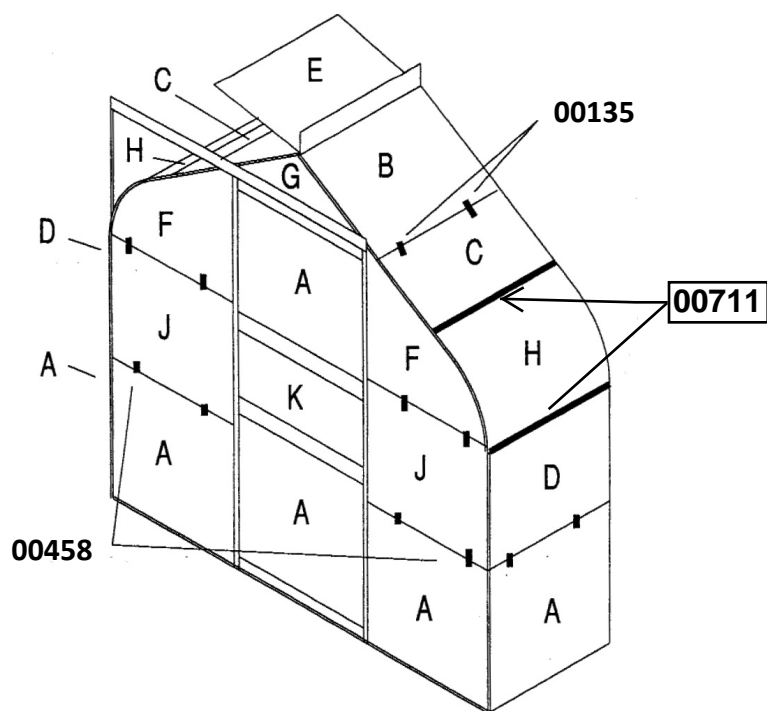
If using split pane horticultural class, bendable glazing clips 00135 are used in the roof opposite the vent (**9d**).

Start glazing from the bottom, centralising the glass panes before fixing in with 2 "W" Spring Wire Clips, 00453, on each side. Overlap upper sheets outside the lower using retaining overlap clips 00458.

Stop when you get to the acrylic and start on the roof glazing, pushing the top pane right up into the ridge bar and roof vent sill bar and secure with 00453 on the sides. Peel the film of **BOTH** sides of the acrylic panels.

Then fit the acrylic panels with the 00711 Black Plastic Strips but don't secure with the "W" clips yet. (The wider side of the 00711 is for the glass.) Make sure that all top panes/panels overlap the bottom one for rainwater run-off.

To prevent damage to panes during strong wind, clear silicone sealant (not supplied) may be used around glazing clips and corners of each pane.



CODE	DESCRIPTION	QUANTITY	00453 per pane
A	610 x 610mm	6	4
B	610 x 544mm	1	4
C	610 x 356mm	2	4
D	610 x 508mm	2	4
E	600 x 544mm	1	0
F	610 x 606mm	2	5
G	610 x 217mm	1	4
H	610 x 460 Acrylic Panels	2	6
J	610 x 533mm	2	4
K	610 x 300mm	1	4



www.hallsgreenhouses.com

This product is delivered by a company in the Juliana Group - www.juliana.com