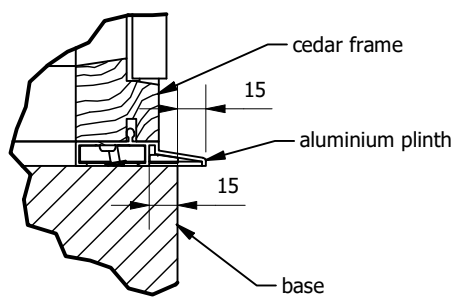
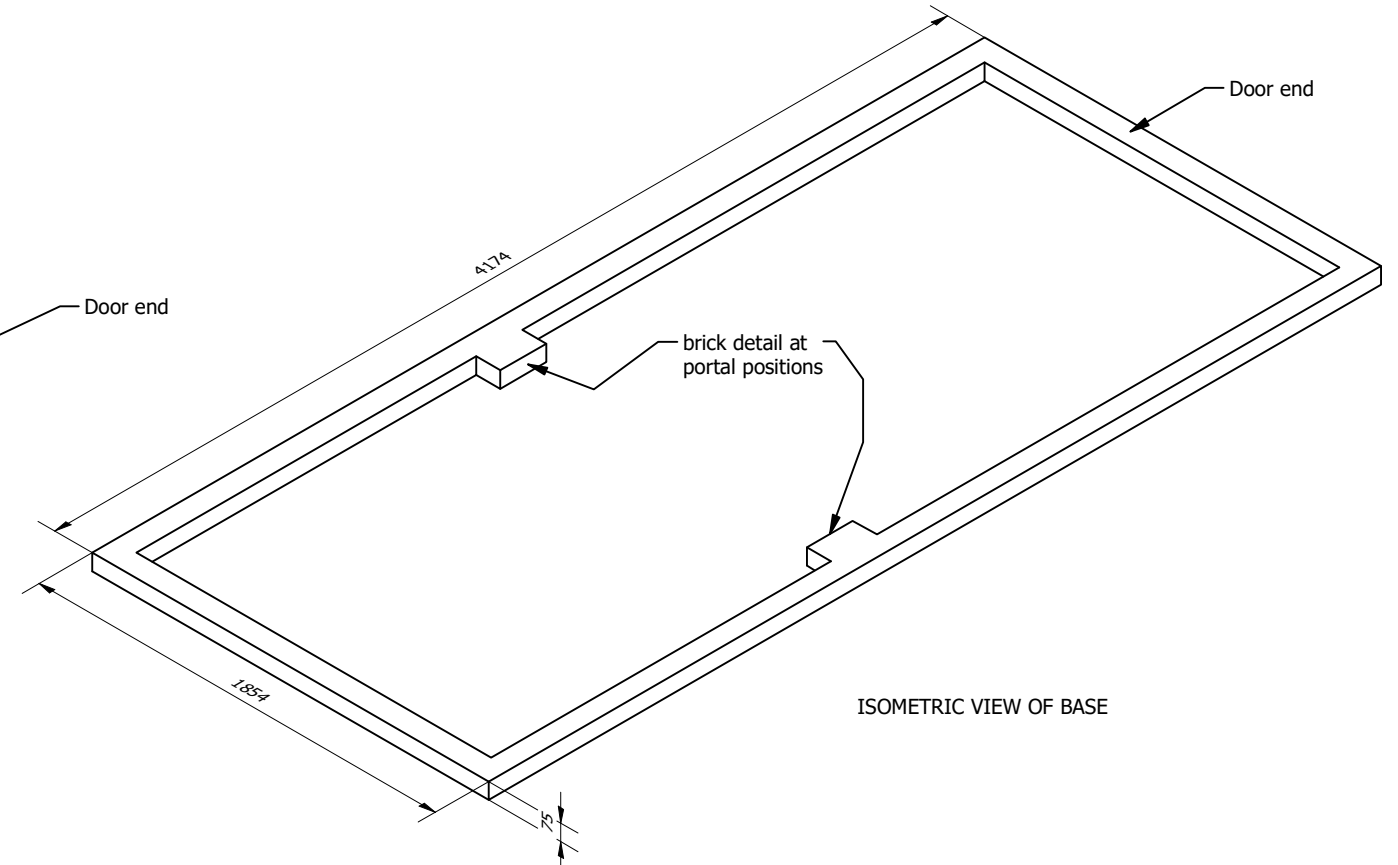
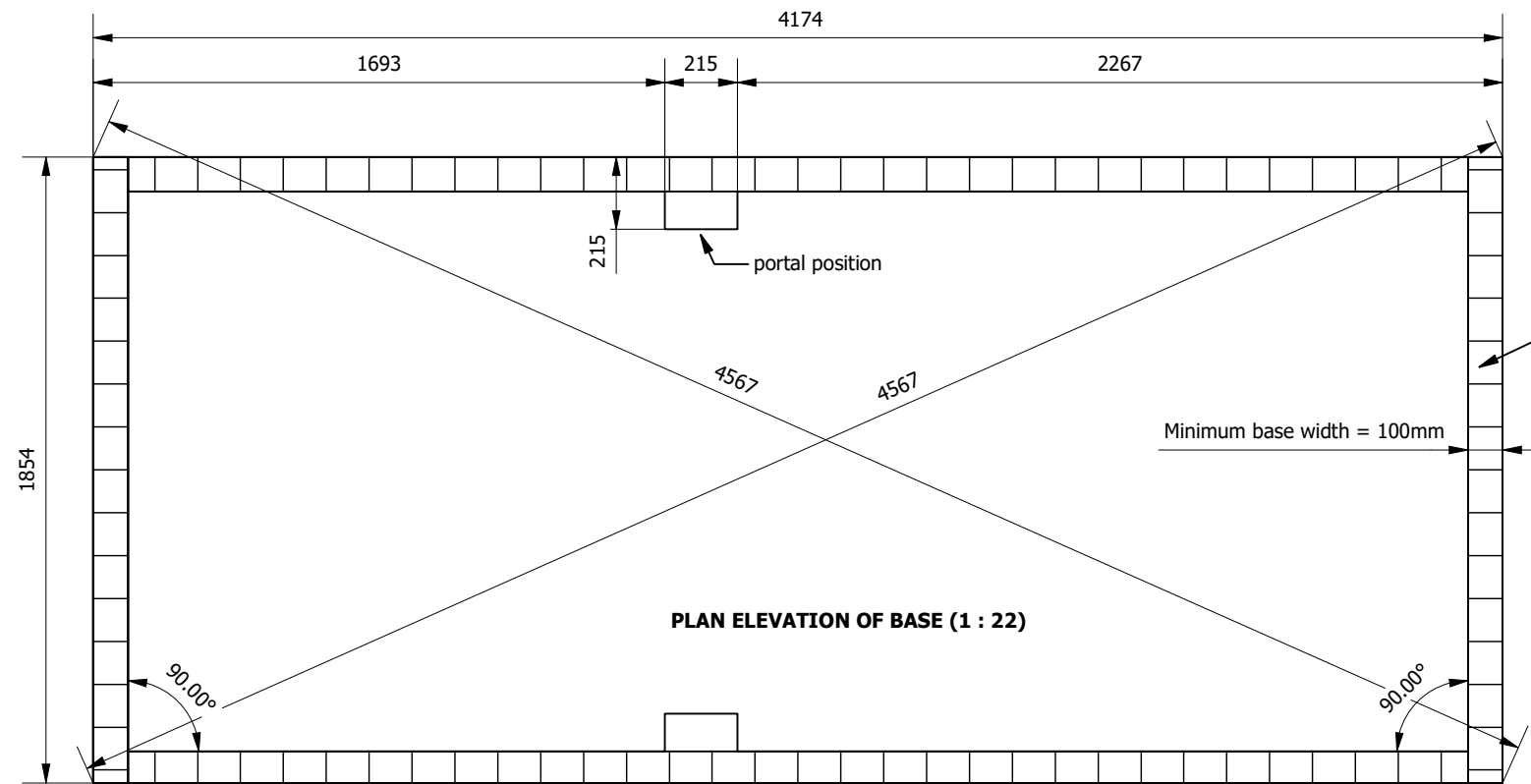
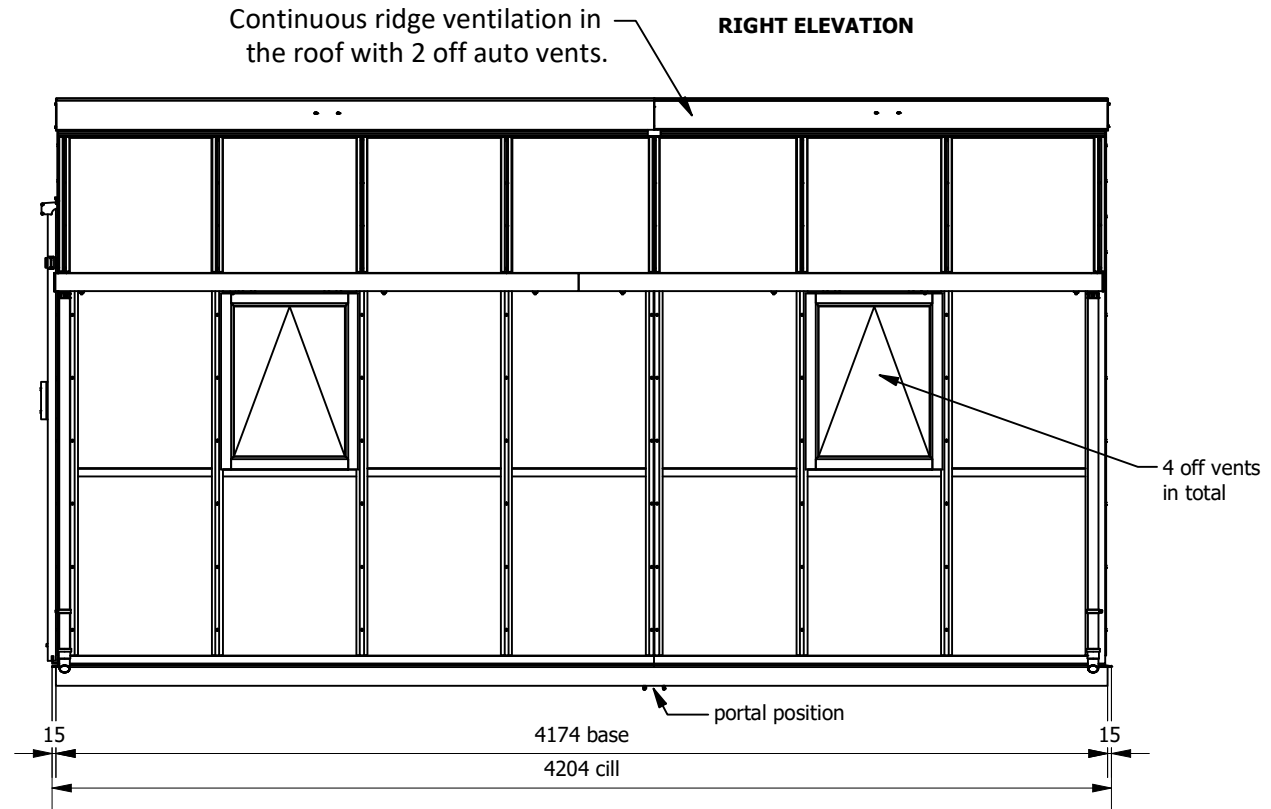
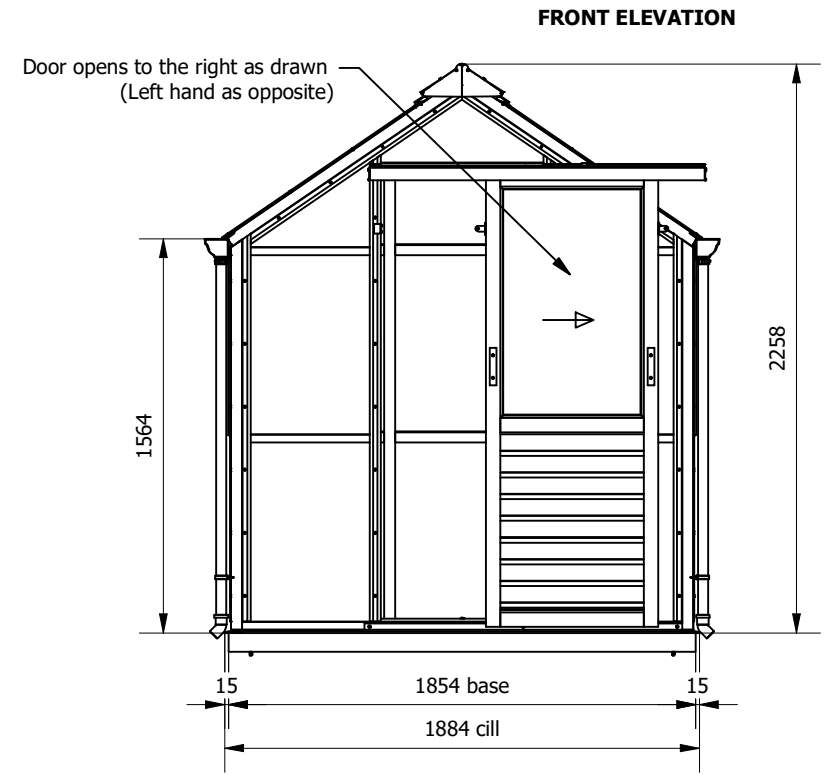


REV	DESCRIPTION	ZONE	CHECKED BY	DATE
A	ORIGINAL	N/A	BRB	07/05/2024



P.T.O. for dwarf wall specifications

PART NUMBER: CG0307		DESCRIPTION: Classic 'Six' by 7 Panel (3+4)						UNITS: mm
MATERIAL SPECIFICATION:		FINISH SPECIFICATION:		UNSPECIFIED THICKNESS: N/A	THICKNESS TOLERANCE: ± 10%		DRAWN: EJG	
PROJECTION: 3rd angle	UNSPECIFIED SCALE: 1 : 30	PART REVISION NUMBER: A	SHEET NO: A3	SHEET SIZE: 1/1	AREA: N/A	MASS: N/A	DATE: 07/05/2024	
		UNSPECIFIED TOLERANCES ACCORDING TO ISO 2768-1: M						APPROVED: BRB
IF IN DOUBT ASK / REMOVE ALL BURRS & SHARP EDGES						THIS DOCUMENT AND THE COPYRIGHT HEREIN ARE THE PROPERTY OF JULIANA GROUP AND MAY NOT BE USED, COPIED OR DISCLOSED TO ANY THIRD PARTY WITHOUT THE WRITTEN CONSENT OF JULIANA GROUP		DATE: 07/05/2024