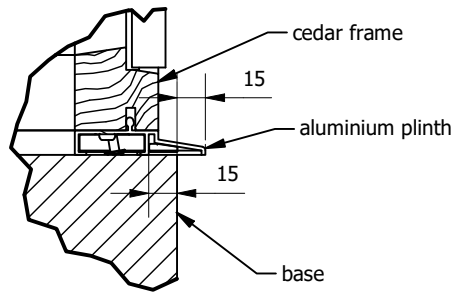
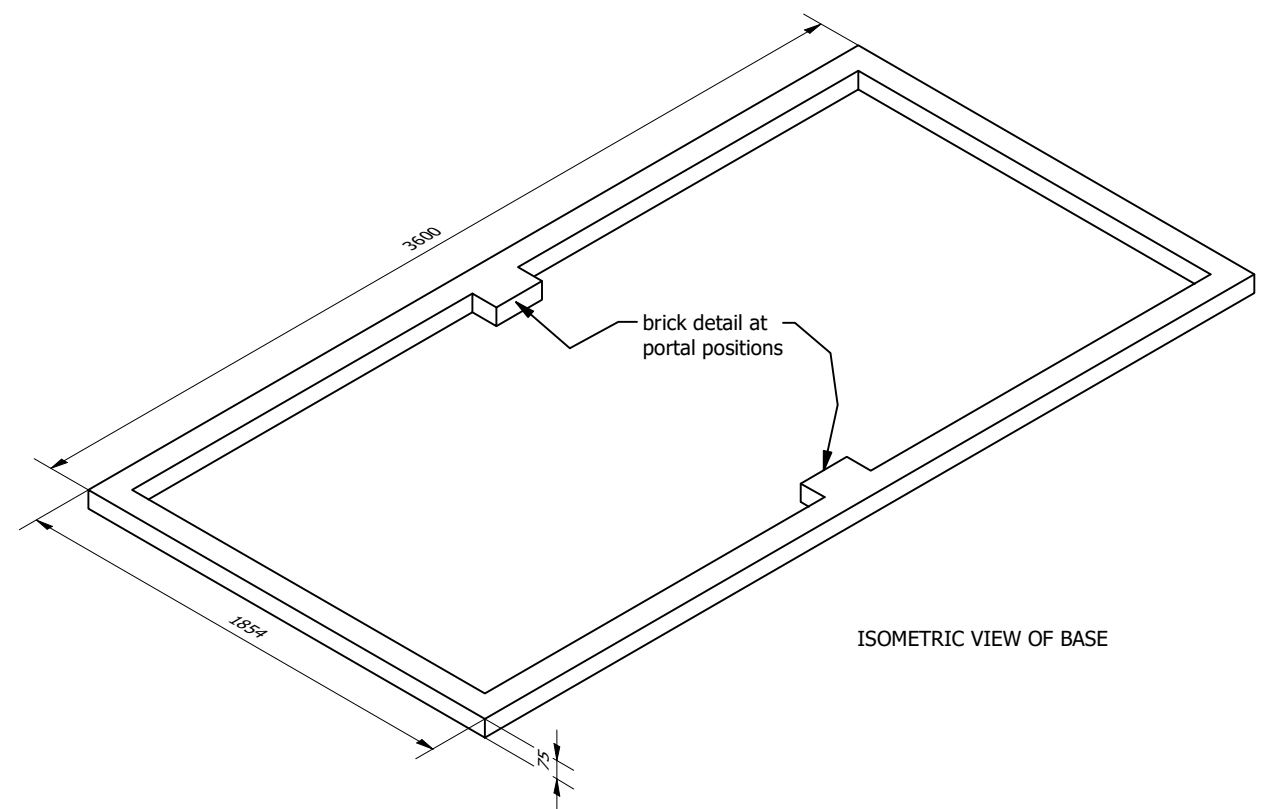
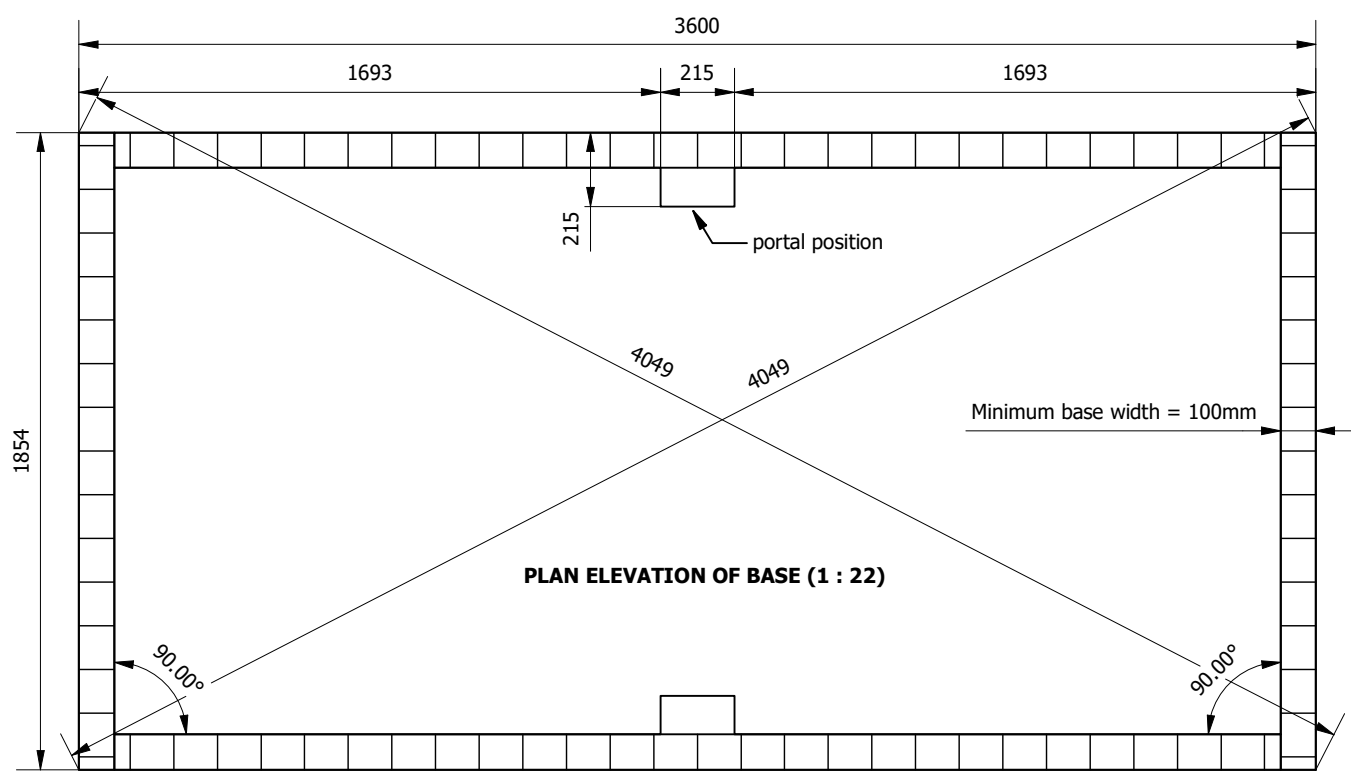
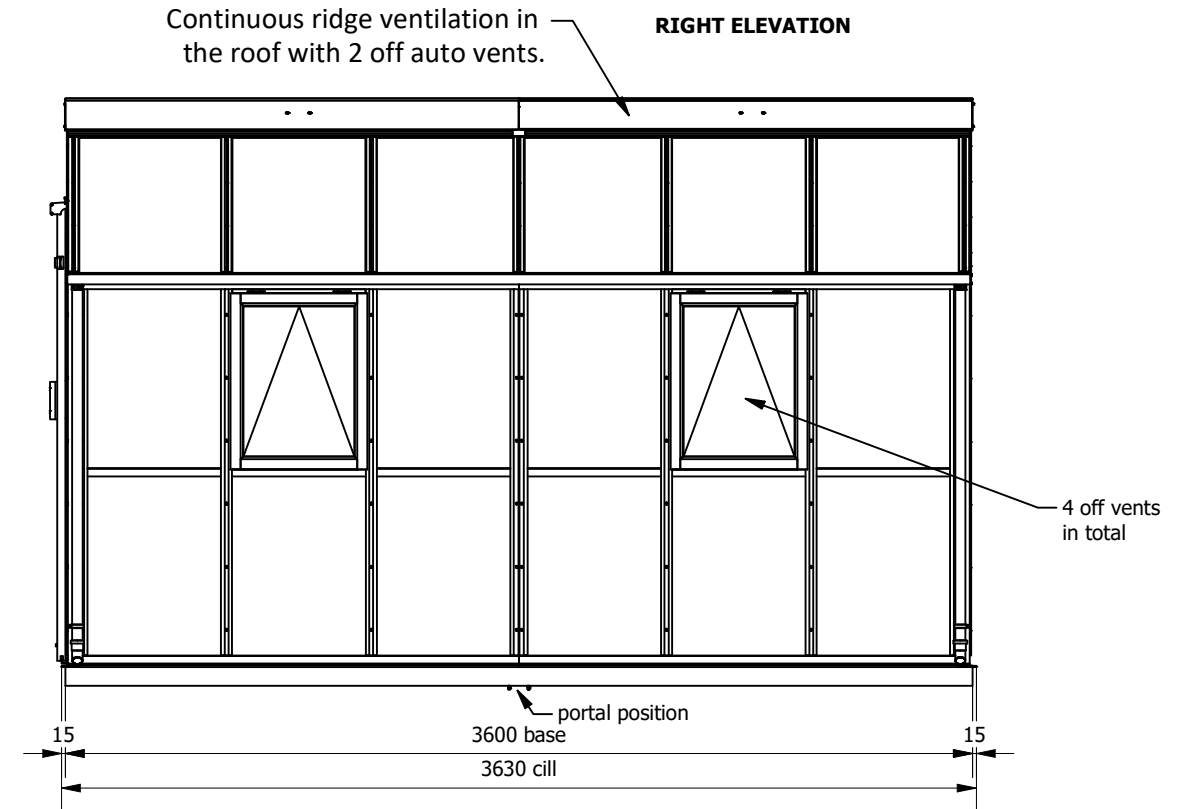
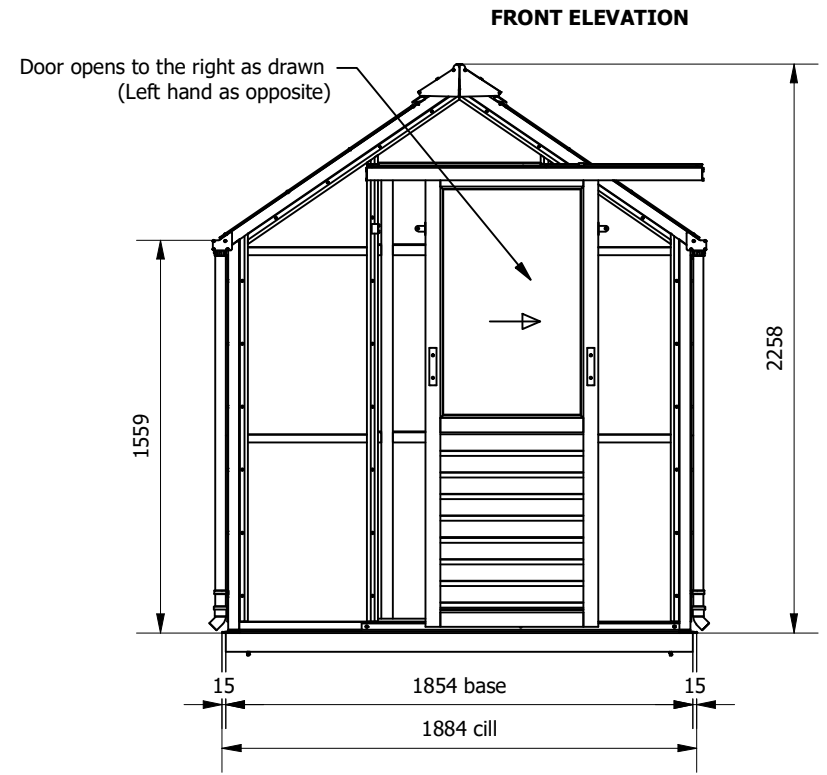


REV	DESCRIPTION	ZONE	CHECKED BY	DATE
A	ORIGINAL	N/A	BRB	07/05/2024



**P.T.O. for dwarf wall specifications**

PART NUMBER: <b>CG0306</b>		DESCRIPTION: <b>Classic 'Six' by 6 Panel (3+3)</b>						UNITS: mm
MATERIAL SPECIFICATION:		FINISH SPECIFICATION:		UNSPECIFIED THICKNESS: N/A	THICKNESS TOLERANCE: ± 10%		DRAWN: EJG	
PROJECTION: 	UNSPECIFIED SCALE: <b>1 : 30</b>	PART REVISION NUMBER: A	SHEET NO: 1 / 1	SHEET SIZE: A3	AREA: N/A	MASS: N/A	DATE: 07/05/2024	
UNSPECIFIED TOLERANCES ACCORDING TO ISO 2768-1: M <small>IF IN DOUBT ASK / REMOVE ALL BURRS &amp; SHARP EDGES</small>								APPROVED: BRB
THIS DOCUMENT AND THE COPYRIGHT HEREIN ARE THE PROPERTY OF JULIANA GROUP AND MAY NOT BE USED, COPIED OR DISCLOSED TO ANY THIRD PARTY WITHOUT THE WRITTEN CONSENT OF JULIANA GROUP								DATE: 07/05/2024