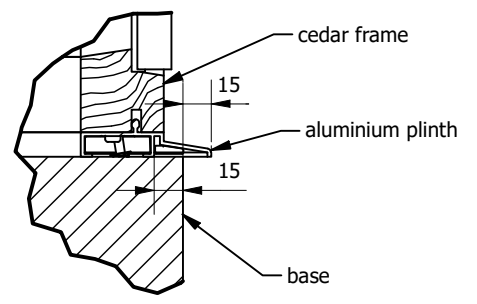
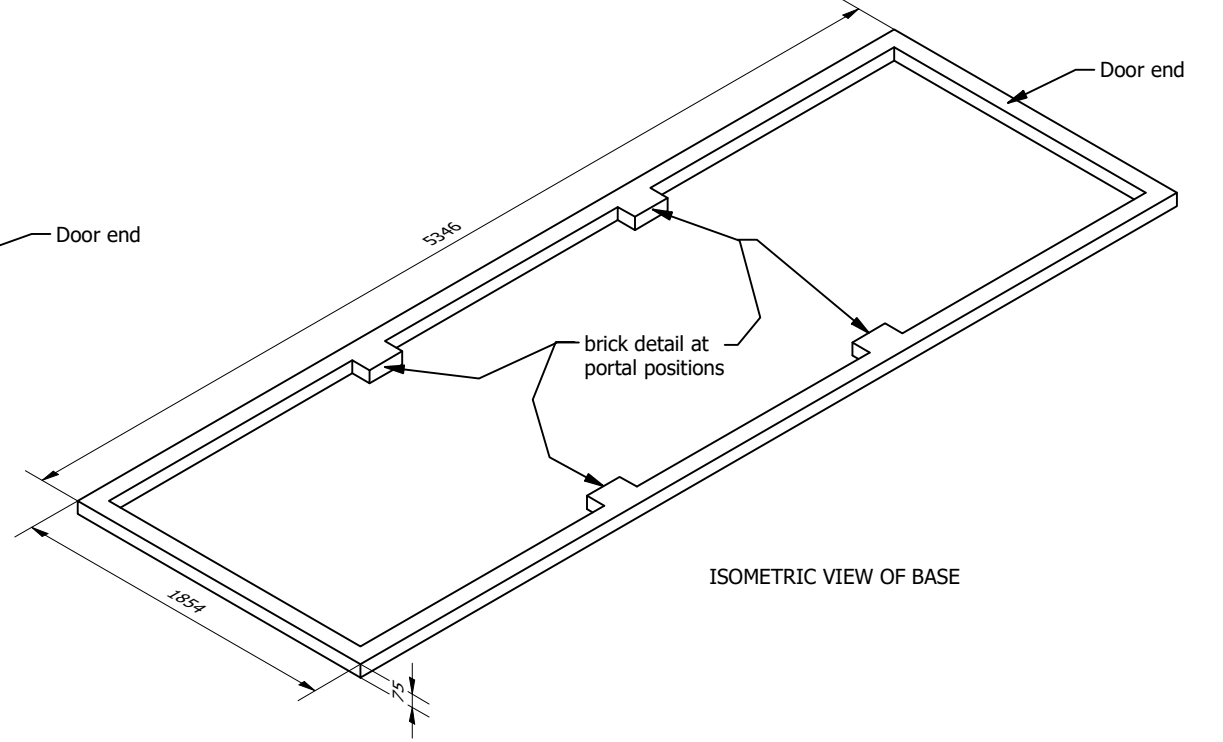
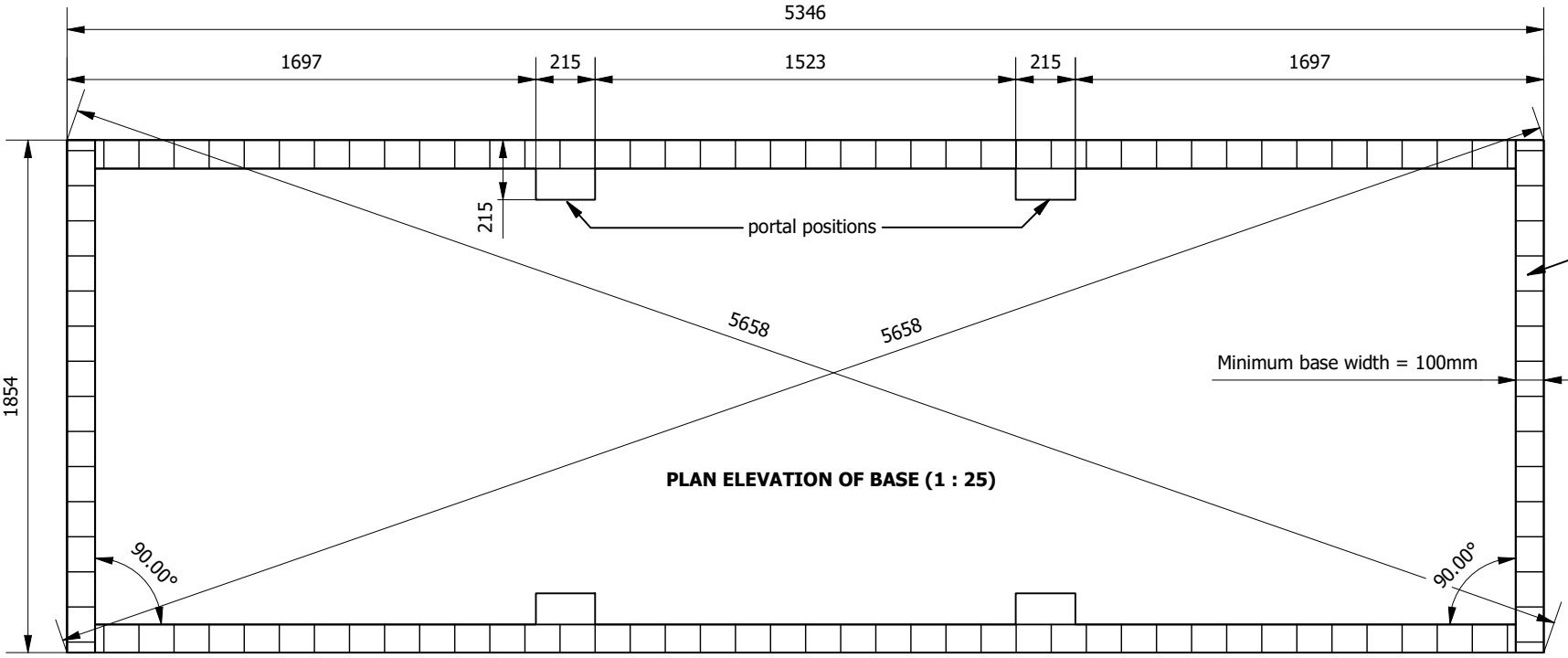
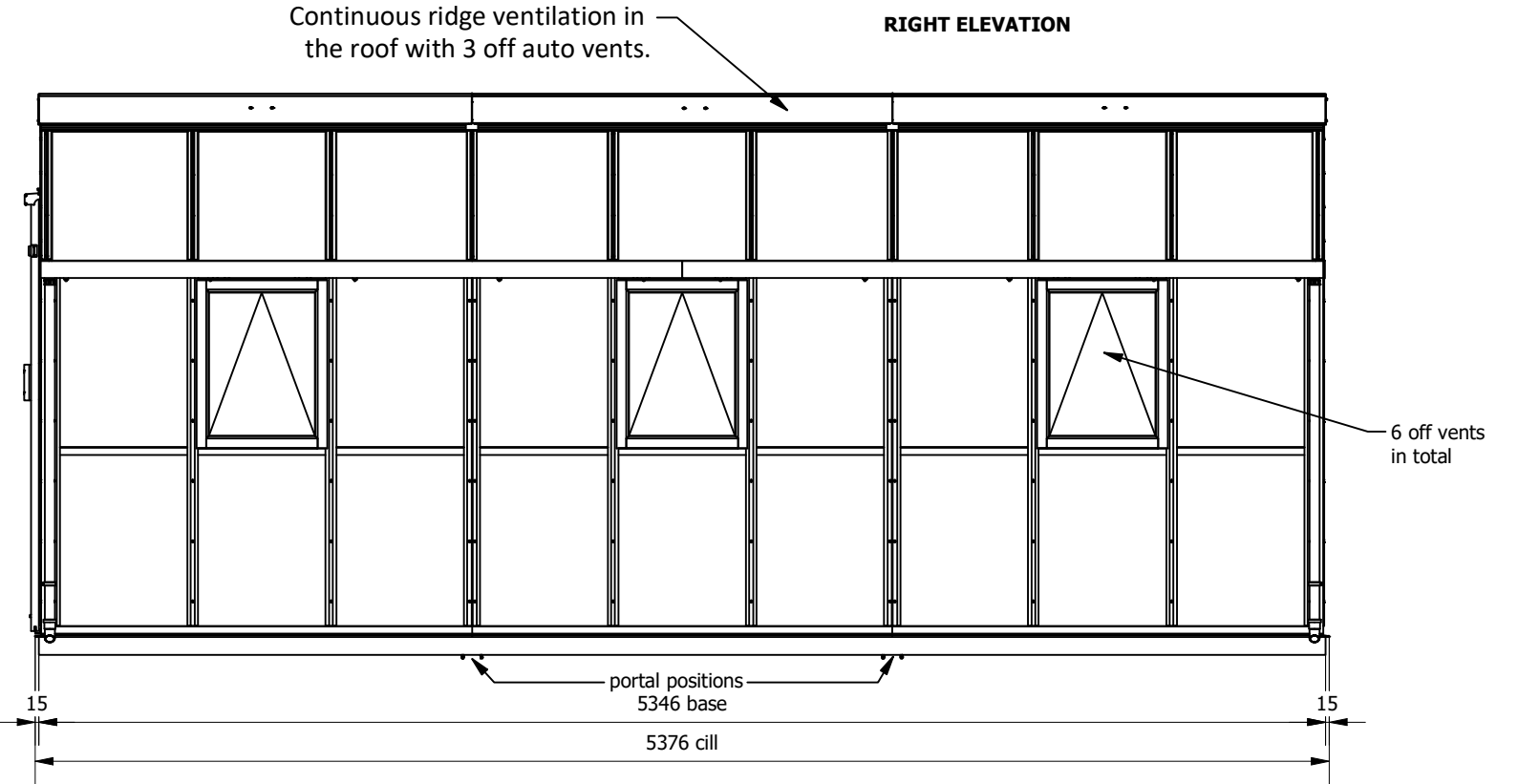
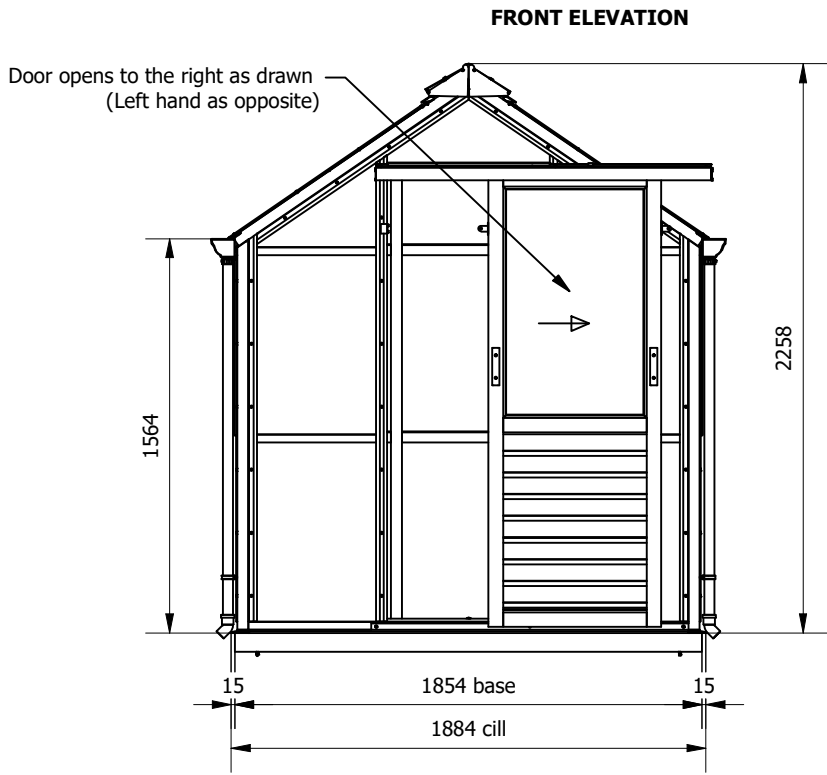


REV	DESCRIPTION	ZONE	CHECKED BY	DATE
A	ORIGINAL	N/A	BRB	07/05/2024



P.T.O. for dwarf wall specifications

PART NUMBER: CG0309		DESCRIPTION: Classic 'Six' by 9 Panel (3+3+3)				JULIANA GROUP		UNITS: mm
MATERIAL SPECIFICATION:		FINISH SPECIFICATION:		UNSPECIFIED THICKNESS: N/A	THICKNESS TOLERANCE: ± 10%	JULIANA® Halls gabriel ash Tradition & Technology		DRAWN: EJG
PROJECTION: 3rd angle	UNSPECIFIED SCALE: 1 : 30	PART REVISION NUMBER: A	SHEET NO: A3	SHEET SIZE: 1/1	AREA: N/A	MASS: N/A	DATE: 07/05/2024	APPROVED: BRB
UNSPECIFIED TOLERANCES ACCORDING TO ISO 2768-1: M <small>IF IN DOUBT ASK / REMOVE ALL BURRS & SHARP EDGES</small>						THIS DOCUMENT AND THE COPYRIGHT HEREIN ARE THE PROPERTY OF JULIANA GROUP AND MAY NOT BE USED, COPIED OR DISCLOSED TO ANY THIRD PARTY WITHOUT THE WRITTEN CONSENT OF JULIANA GROUP		DATE: 07/05/2024