


















RHS Shed Combi 'Rosemoor'

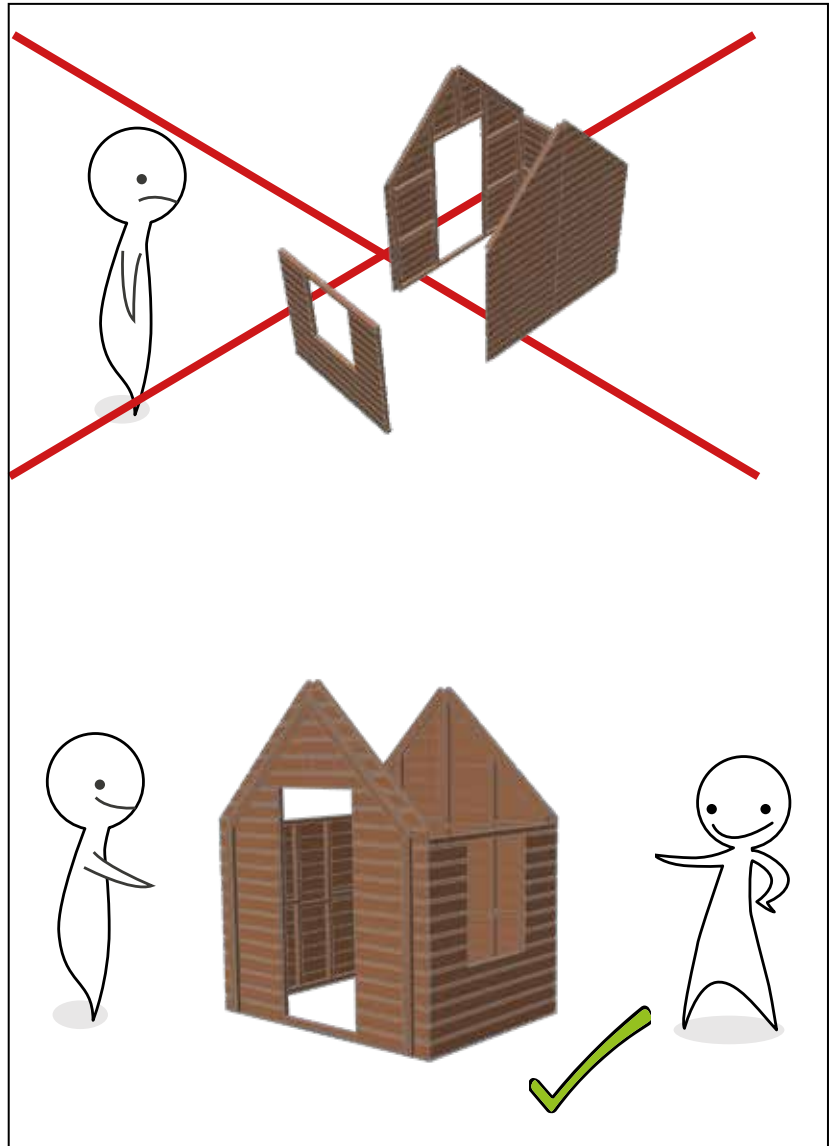


RHS Shed Combi 'Hyde Hall'

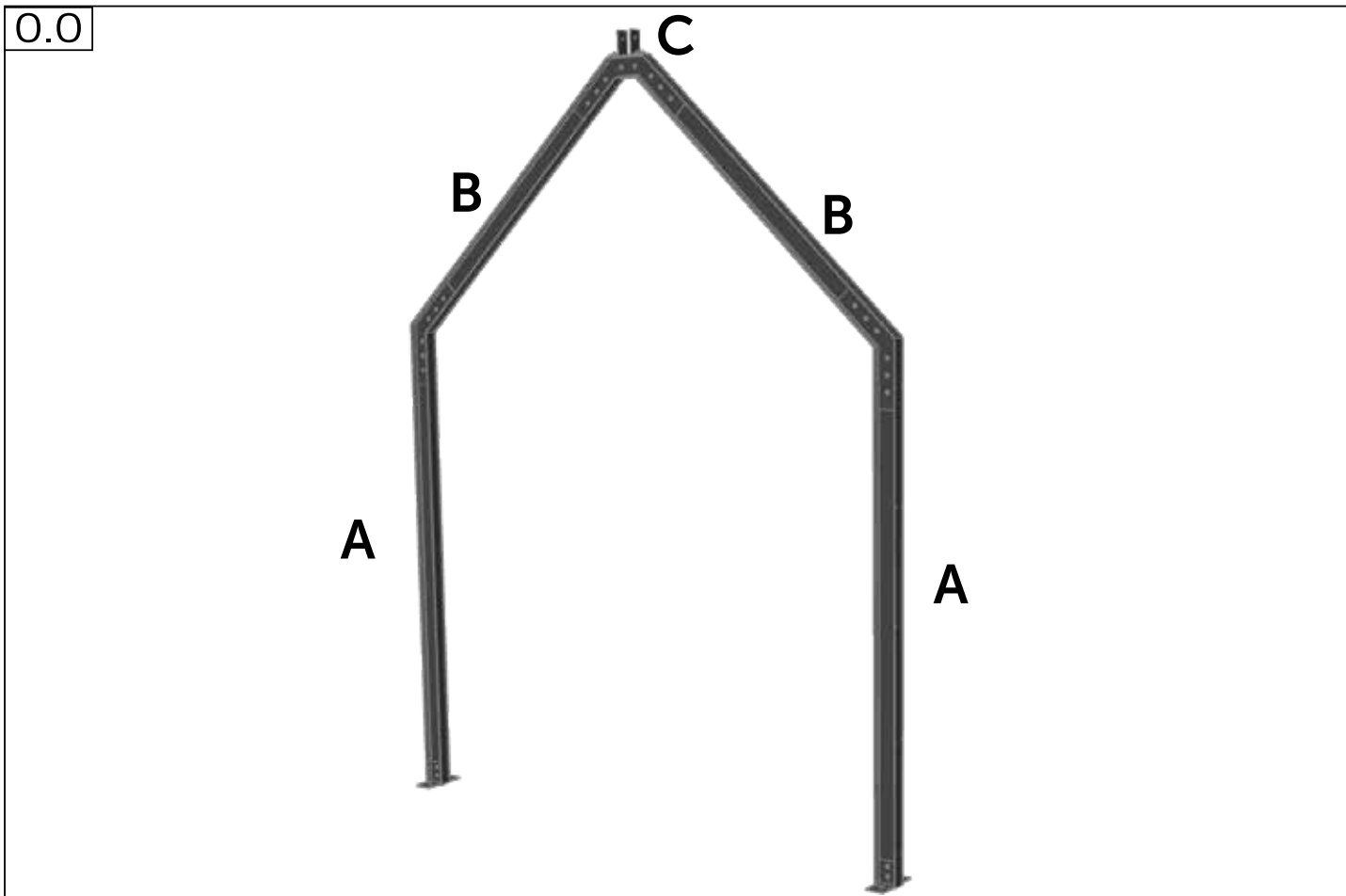


Overview - Oversigt - Übersicht - Översikt - Détails -
 Overzicht - Sisällys - Zawartość - Oversikt - Visión general

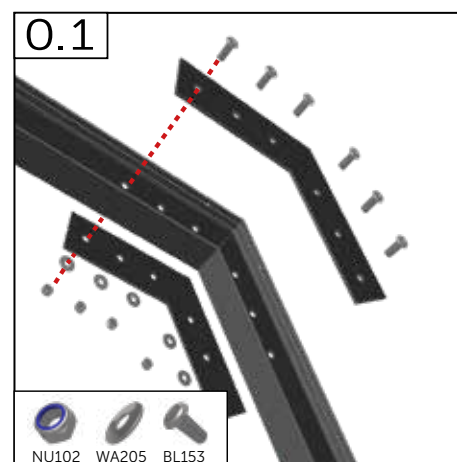
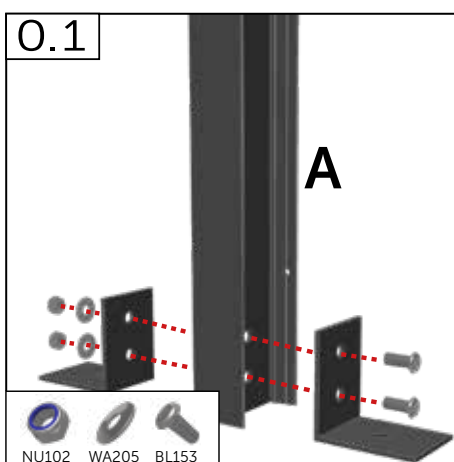
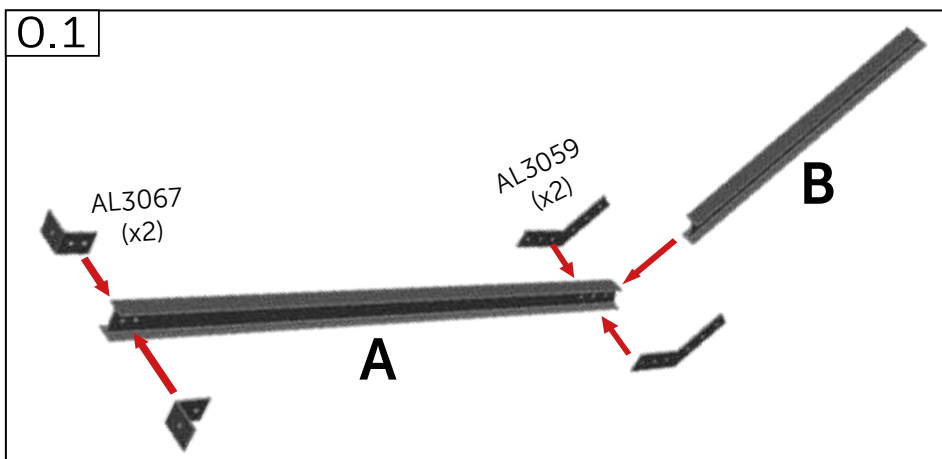
	
	4 - 5
	6 - 12
	13 - 14
	15
	16 - 17
	18
	19 - 21
	22-24
	25 - 27
	28 - 30
	31
	32 - 33
	34



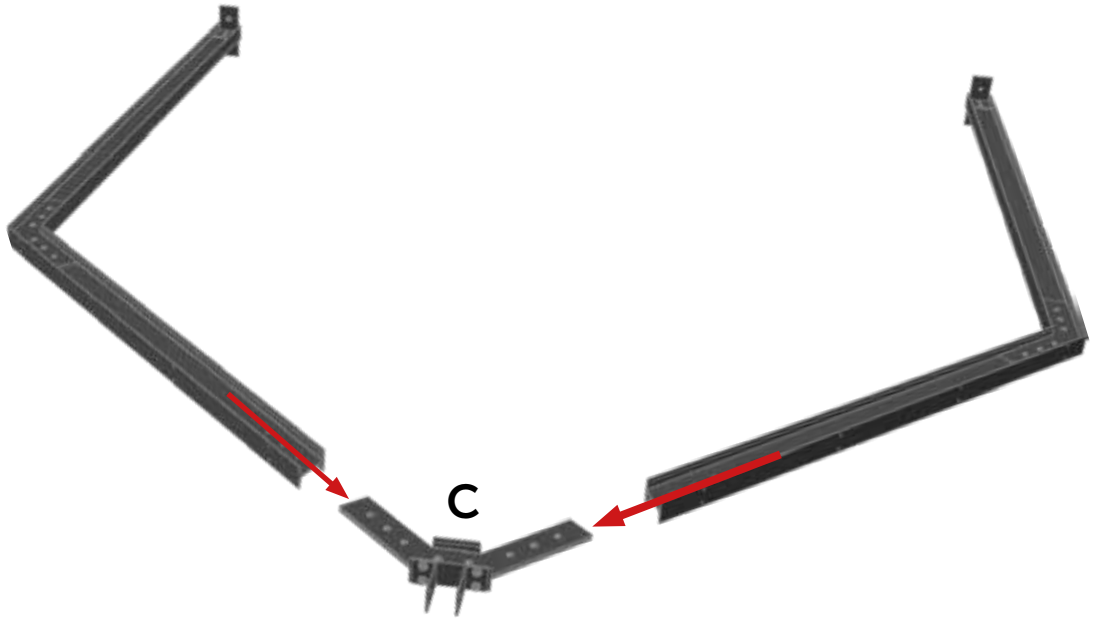
Portal Frame - Portalramme - Portalrahmen - Portal ram - Portique - Portaal frame -
 Portaalin kehys - Rama portalu - Portalramme - Marco del pórtico



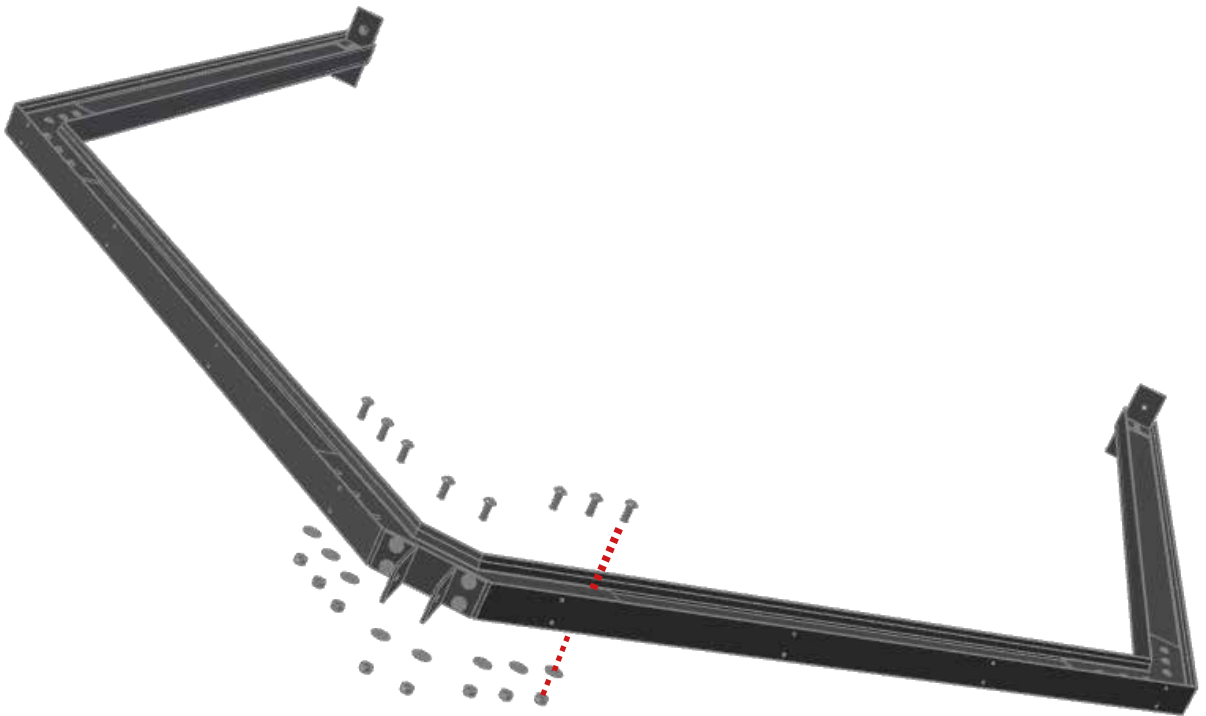
	#	mm
	AL3067	-
	AL3060	-
	AL3059	-
	A AL2018	1559
	B AL2018	0851
	B AL2018	1199
	B AL2018	1596
	B AL2018	1894
	C AL3071	0341
	BL153	M8 x 20
	WA205	M8
	NU102	M8



0.2



0.3

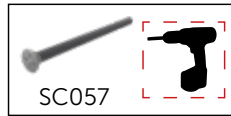
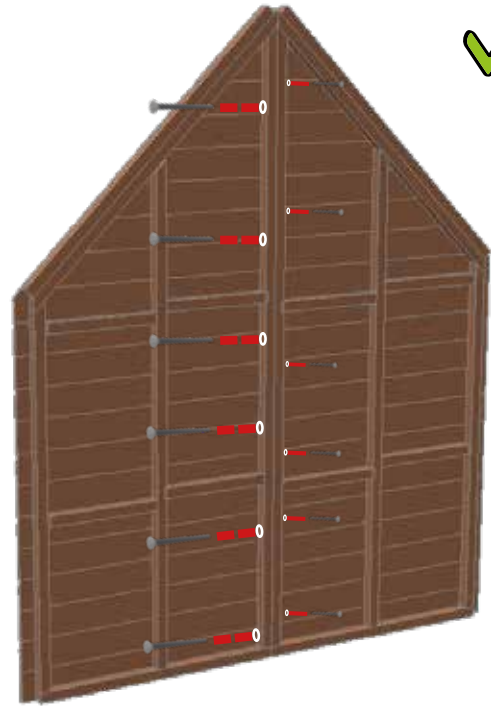
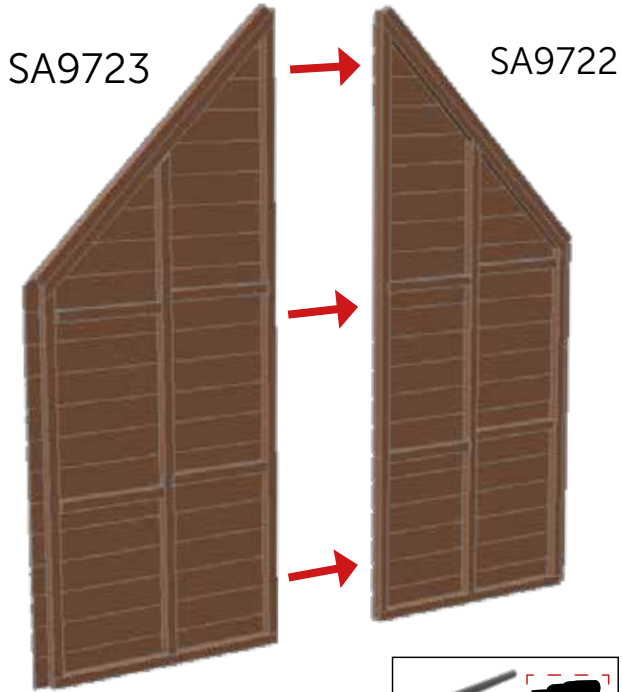


0.4



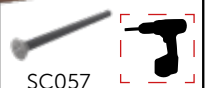
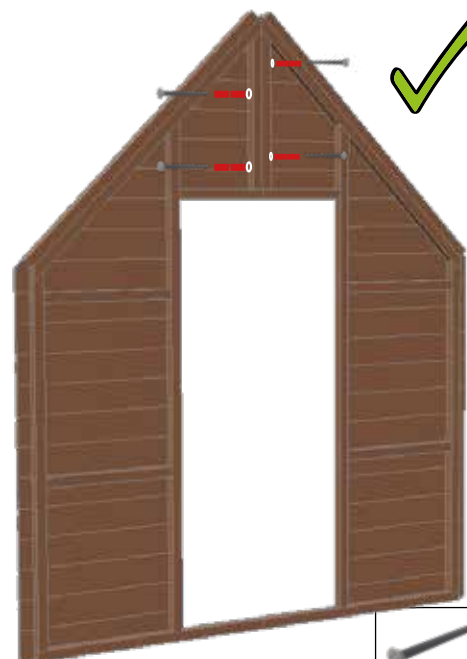
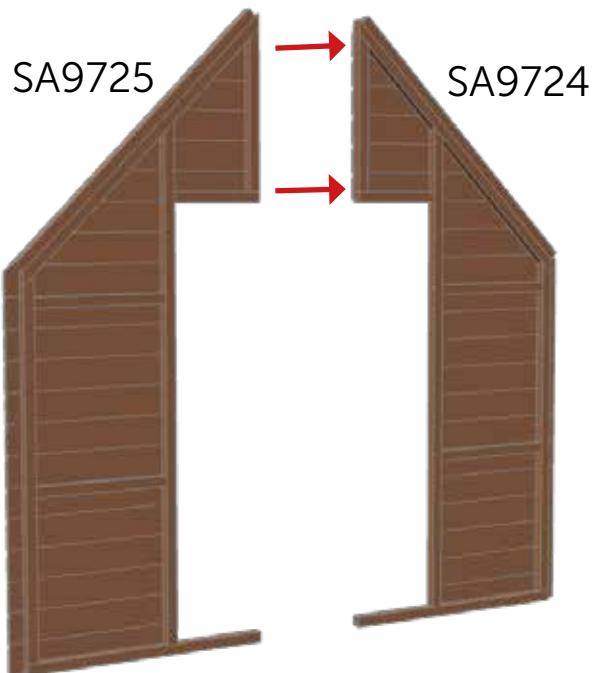
1.0

RHS 'Combi Shed Rosemoor'



	#	mm
	SC057	4.2 x 80

1.1



1.0

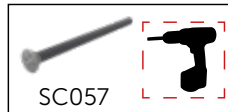
RHS 'Combi Shed Hyde Hall'



SA9743



SA9742



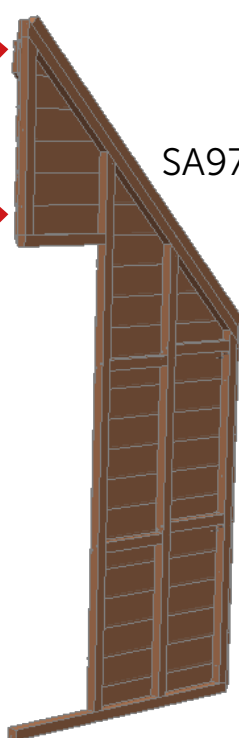
SC057

	#	mm
	SC057	4.2 x 80

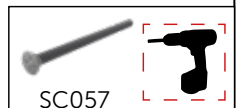
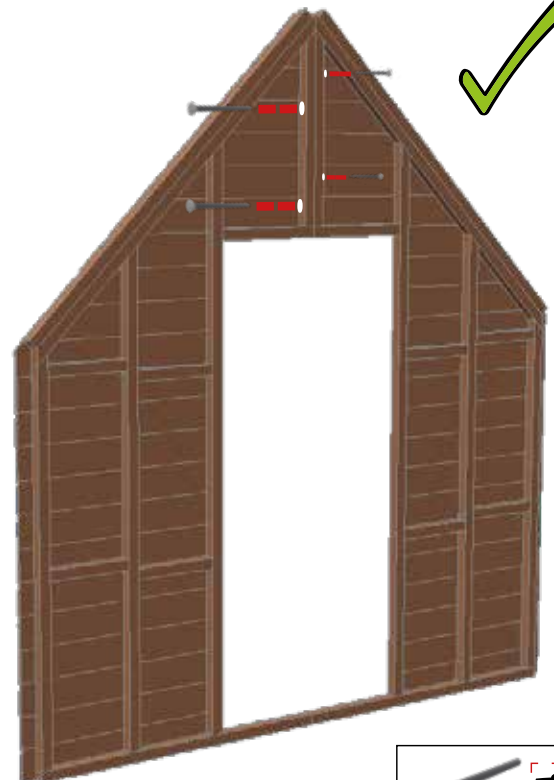
1.1



SA9744



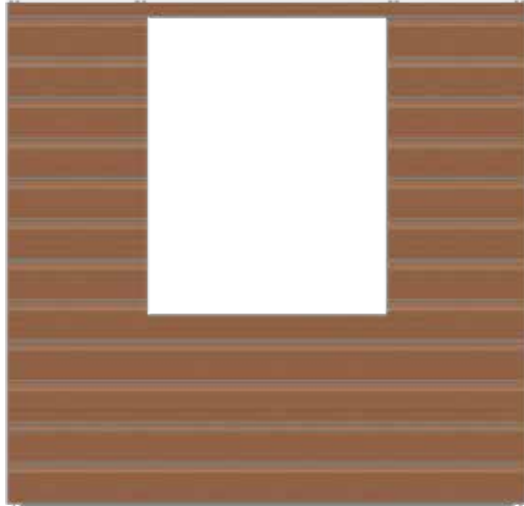
SA9745



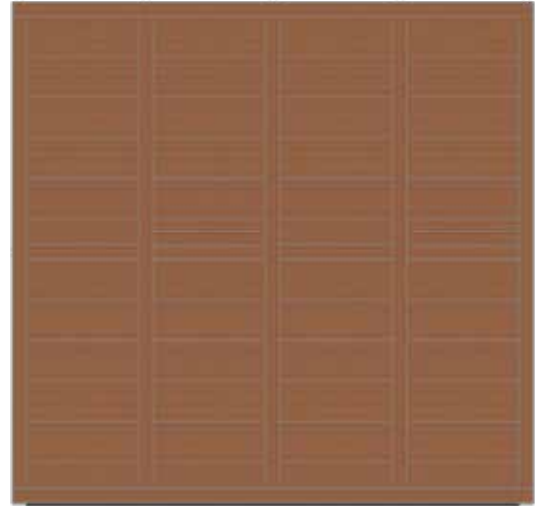
SC057

1.3

RHS
'Combi Shed 4 Panel'



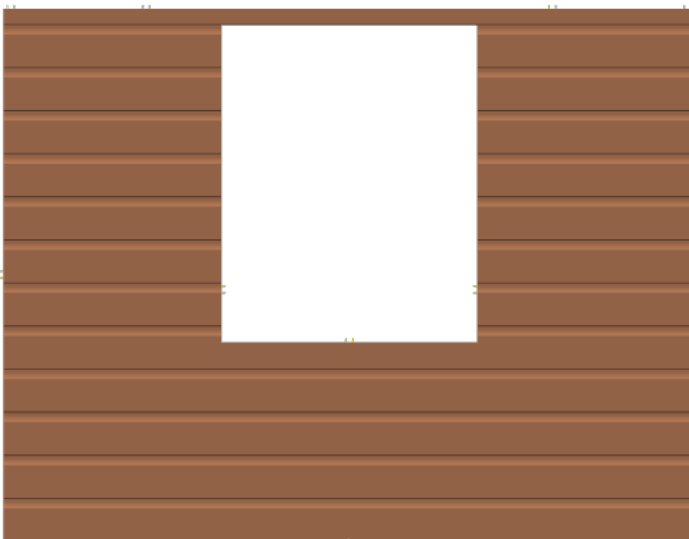
SA9728



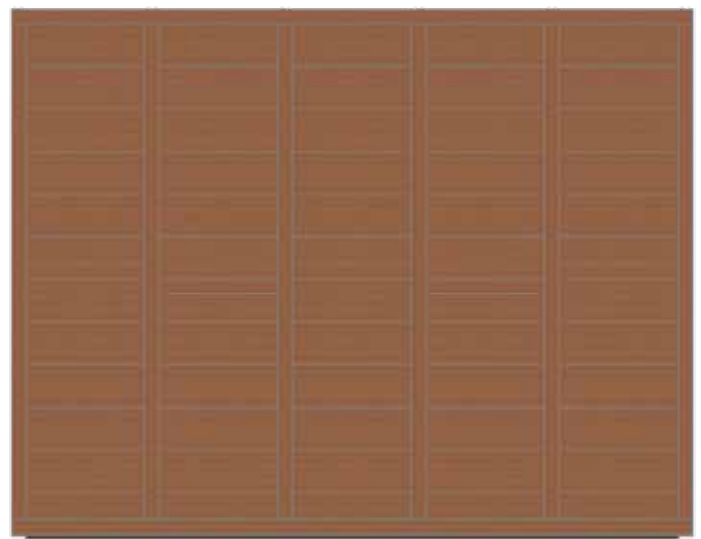
SA9714

1.4

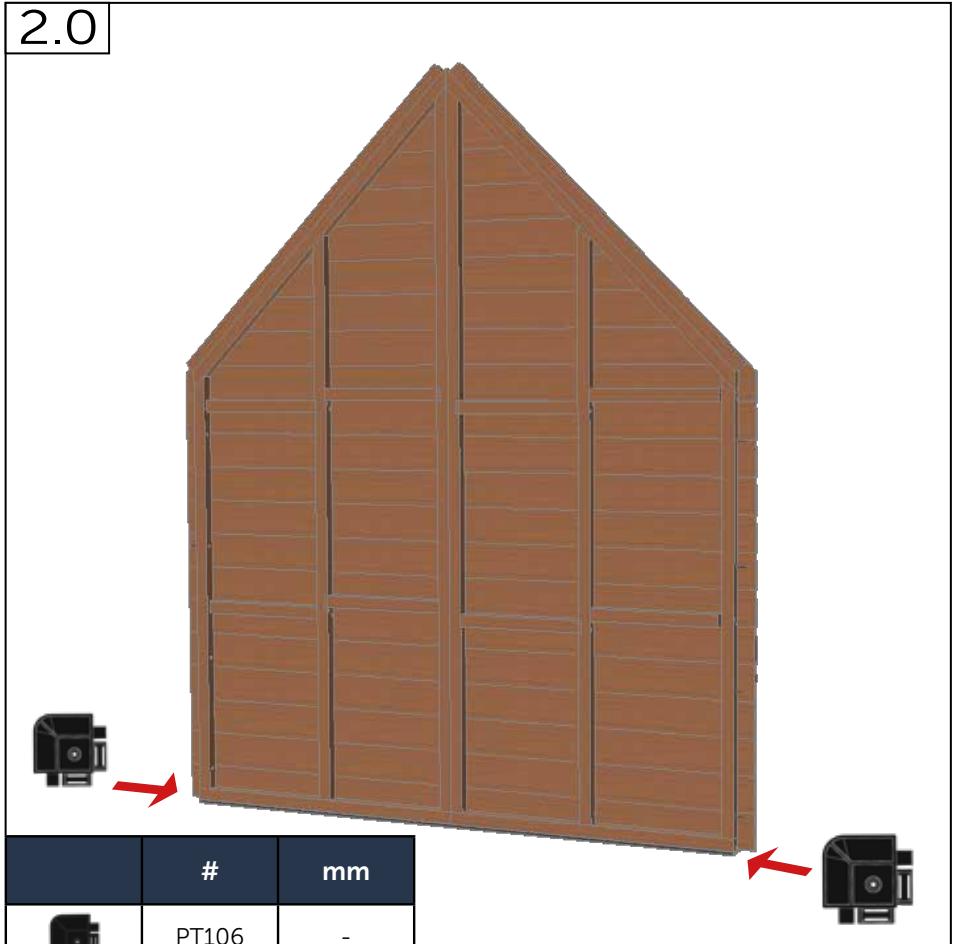
RHS
'Combi Shed 5 Panel'





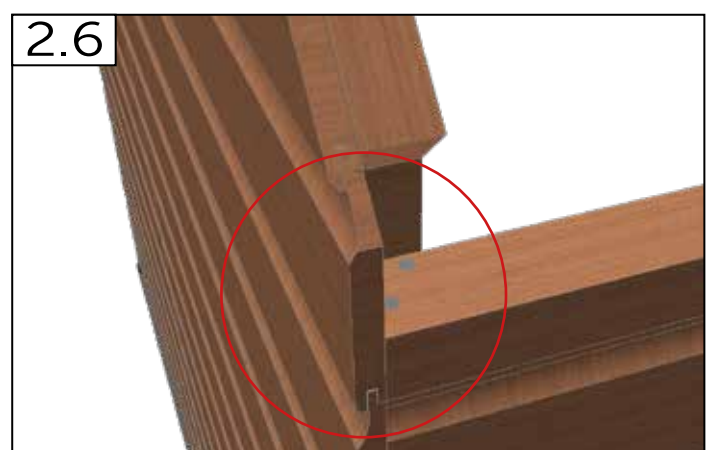
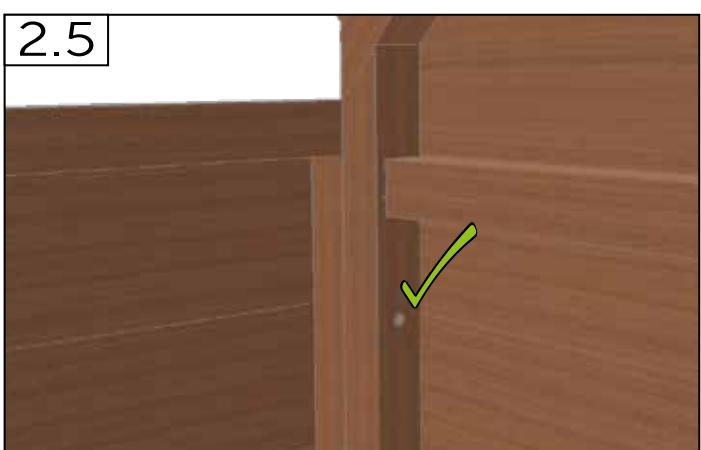
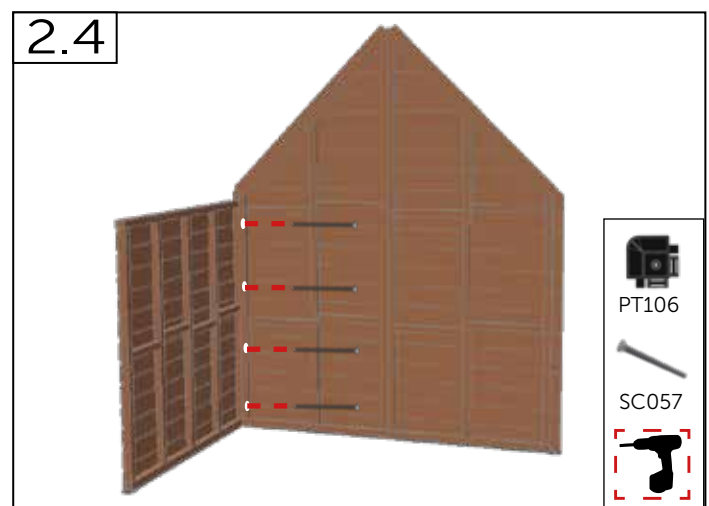
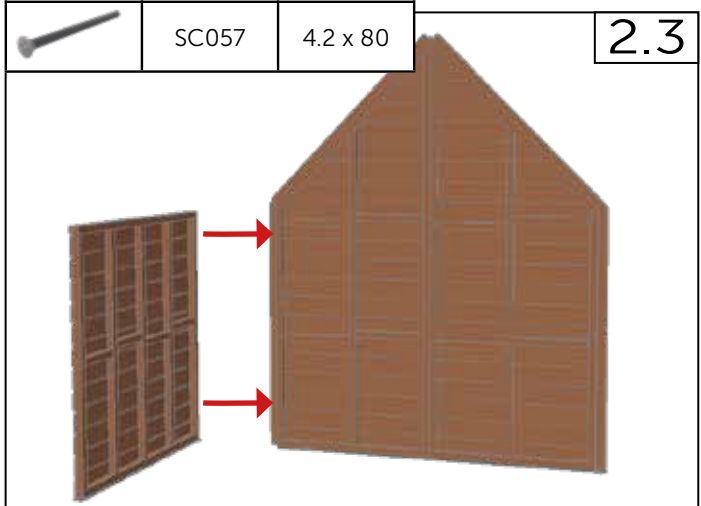
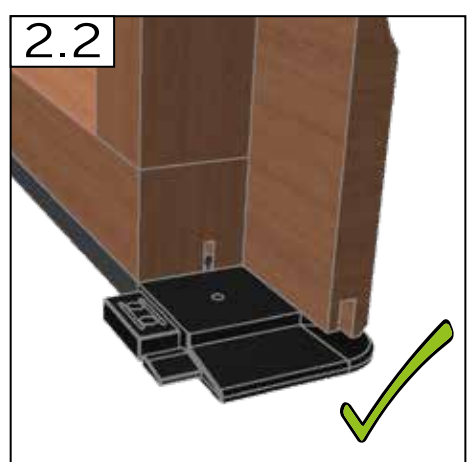
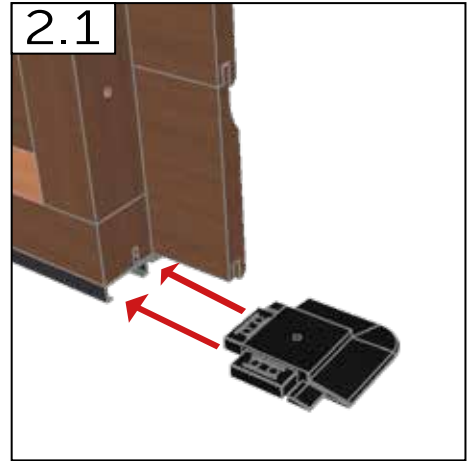
SA9747

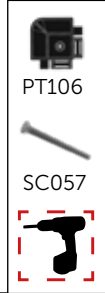
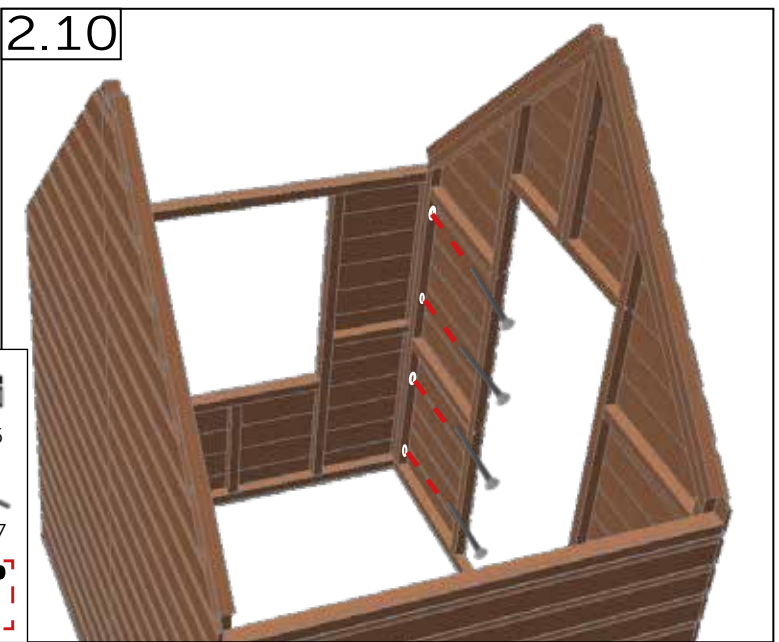
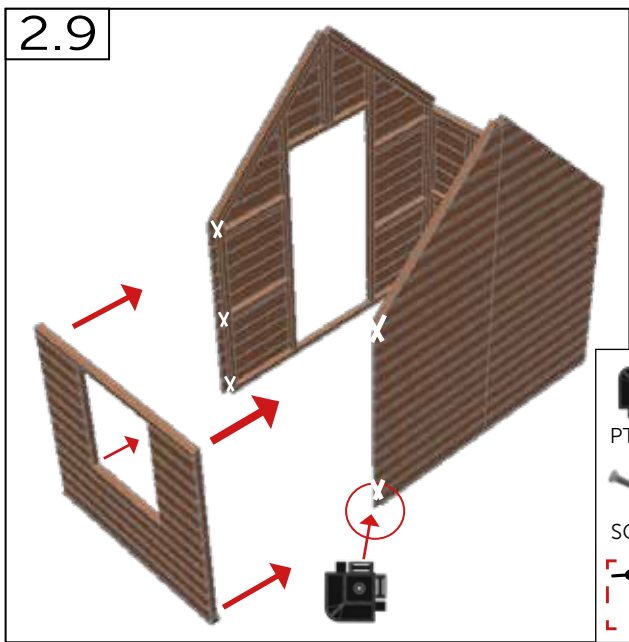
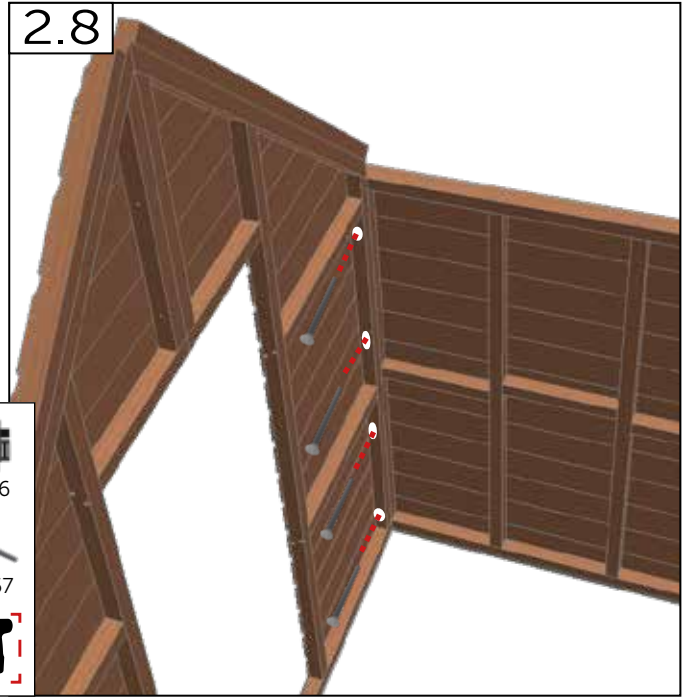
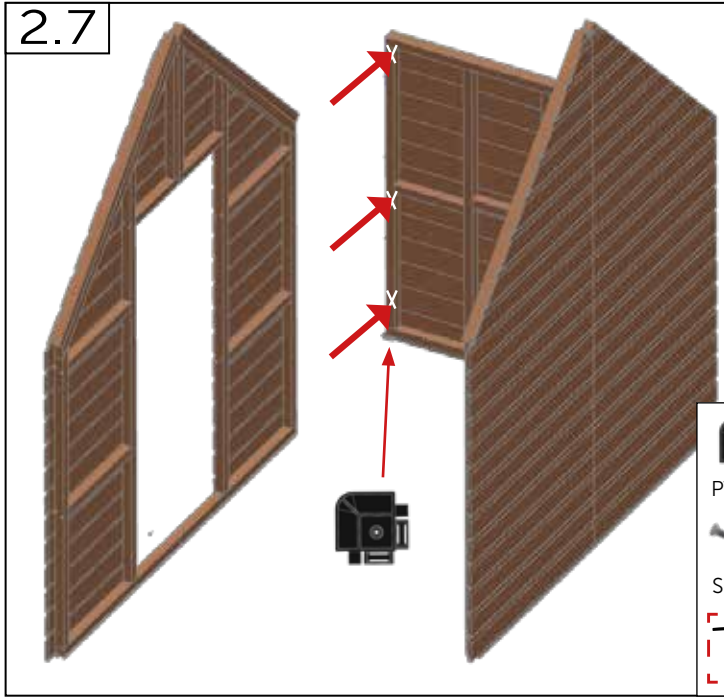


SA9746



	#	mm
	PT106	-
	SC057	4.2 x 80

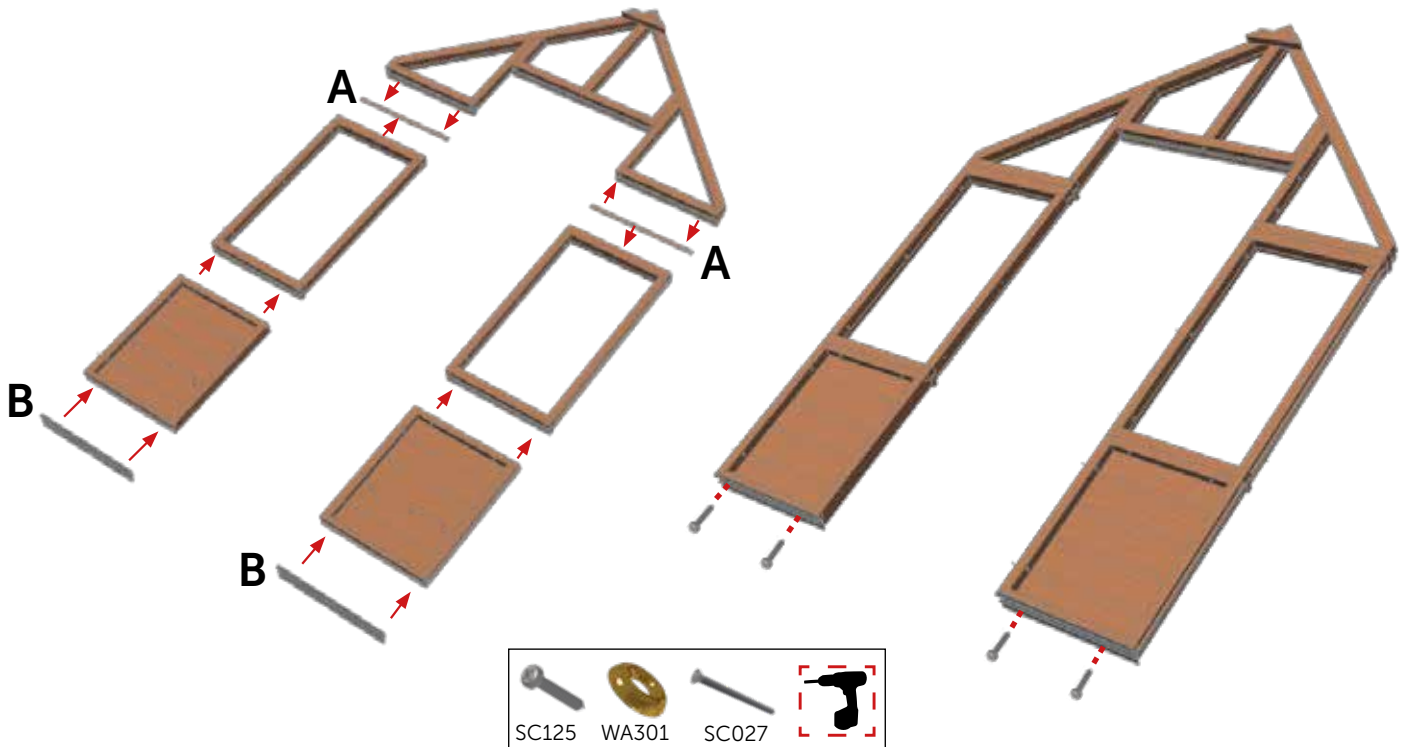




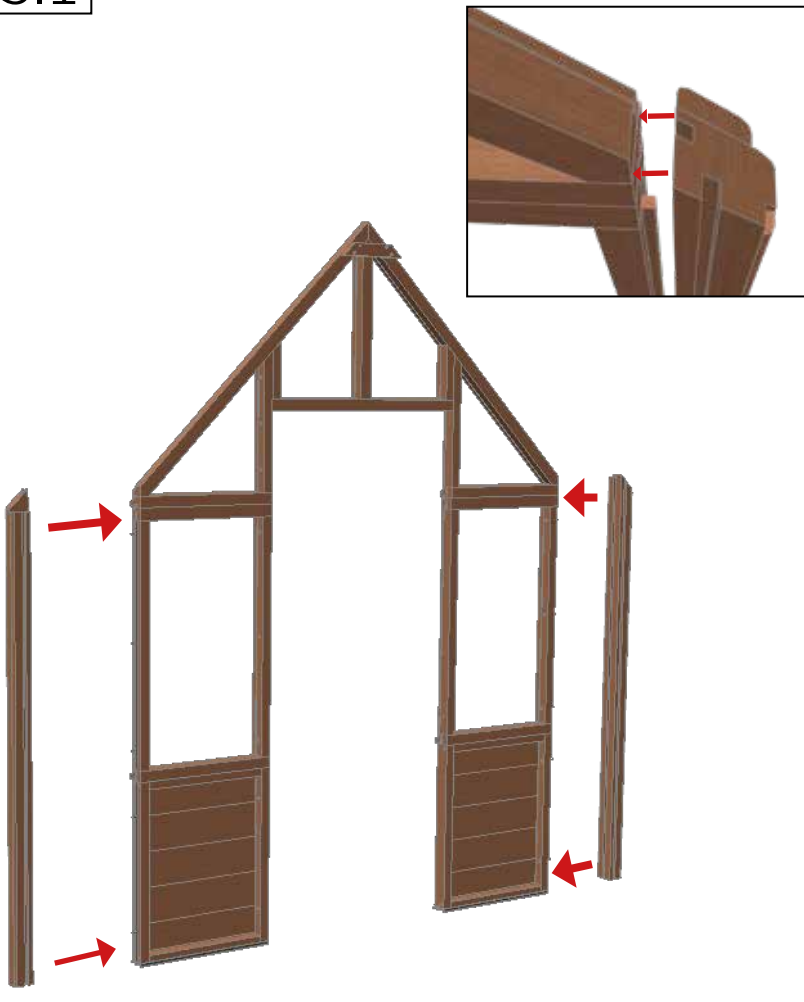
	#	mm
	PT106	-
	SC057	4.2 x 80

3.0

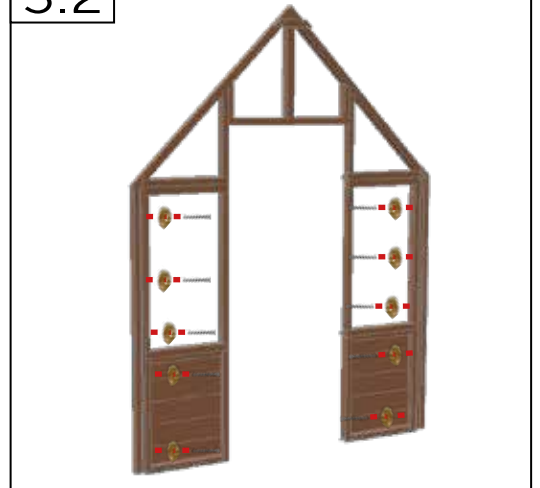
RHS Rosemoor 'Combi Shed'



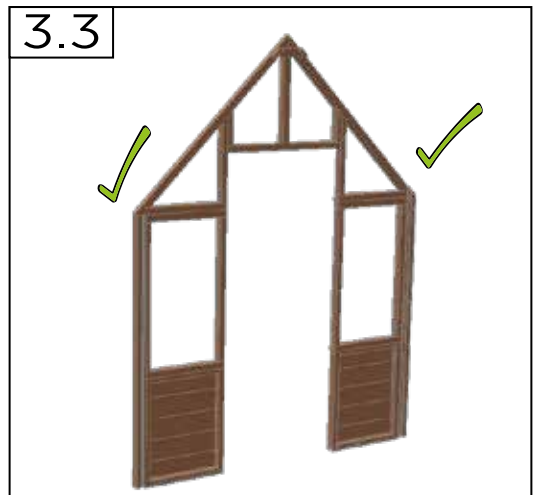
3.1



3.2



3.3



3.0
RHS Hyde Hall 'Combi Shed'
3.1

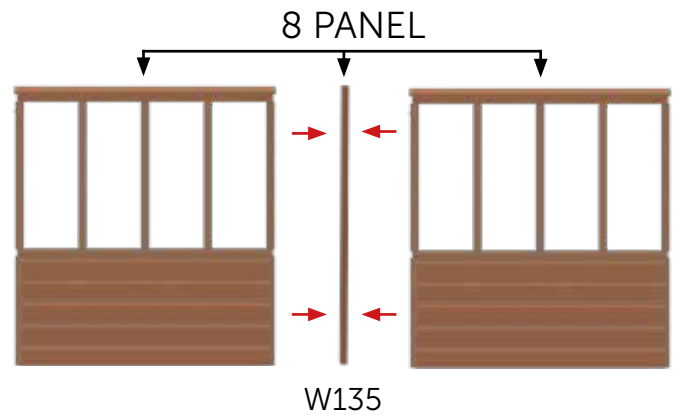
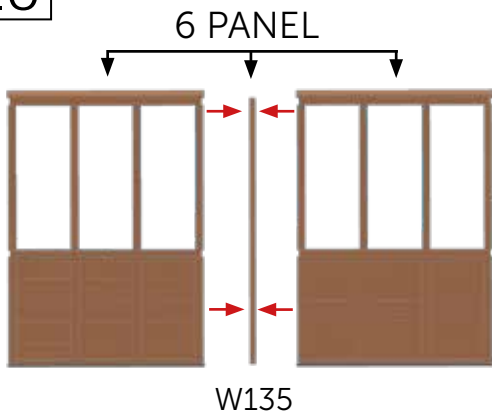
WA301
 SC027

	#	mm
	SC027	4.2 x 65
	SC301	No. 8
	A W900	-
	B AL2004	-
	SC125	4.2 x 25
	C W165	-

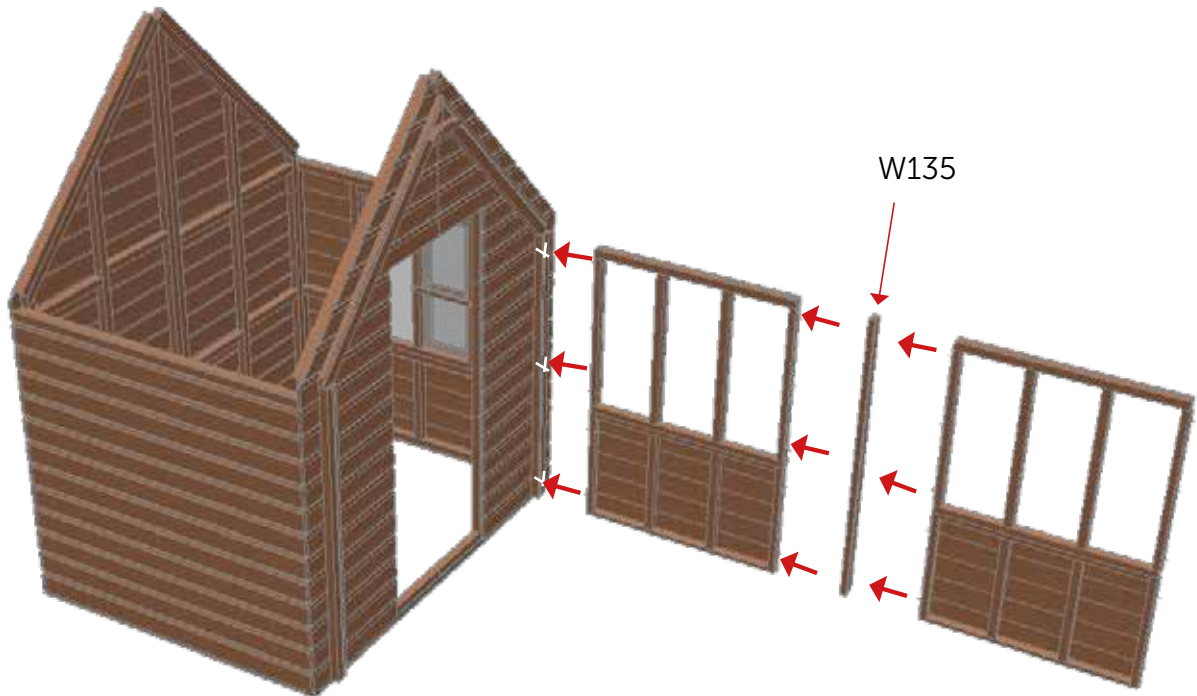
WA301
 SC027

	#	mm
	WA301	No. 8
	SC027	4.2 x 65
	C W165	-

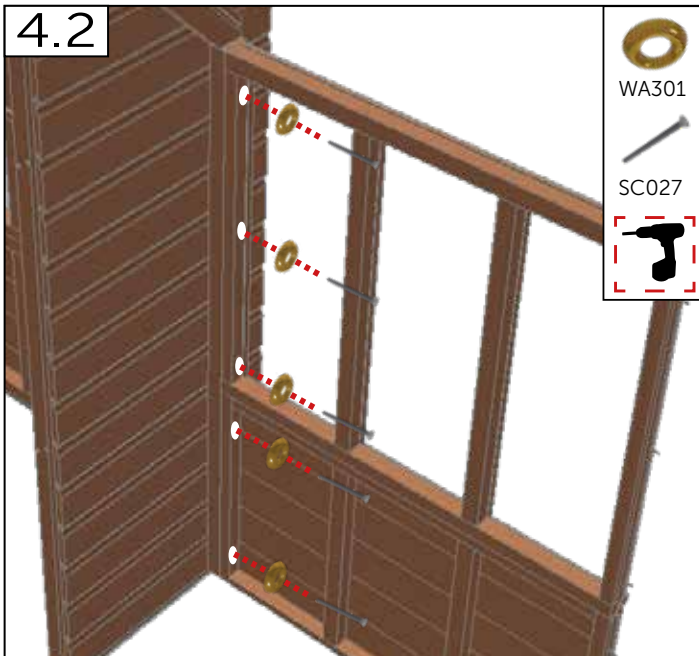
4.0



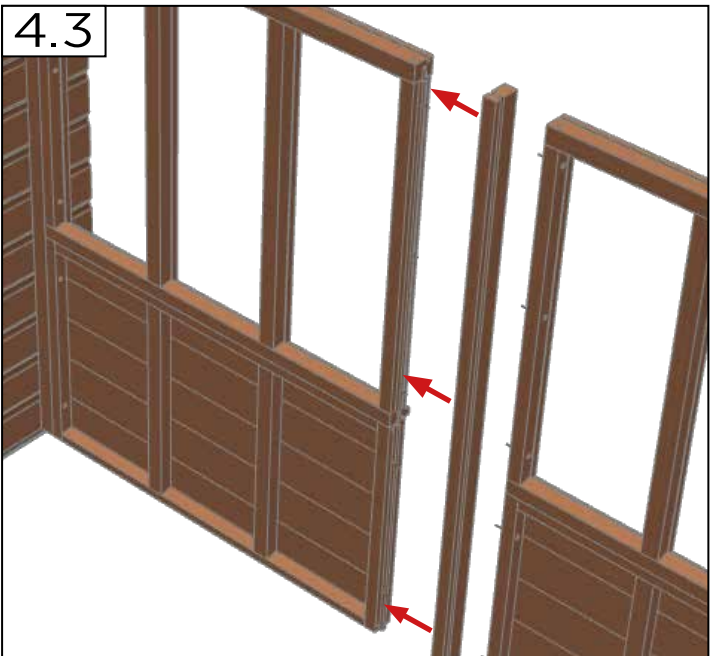
4.1



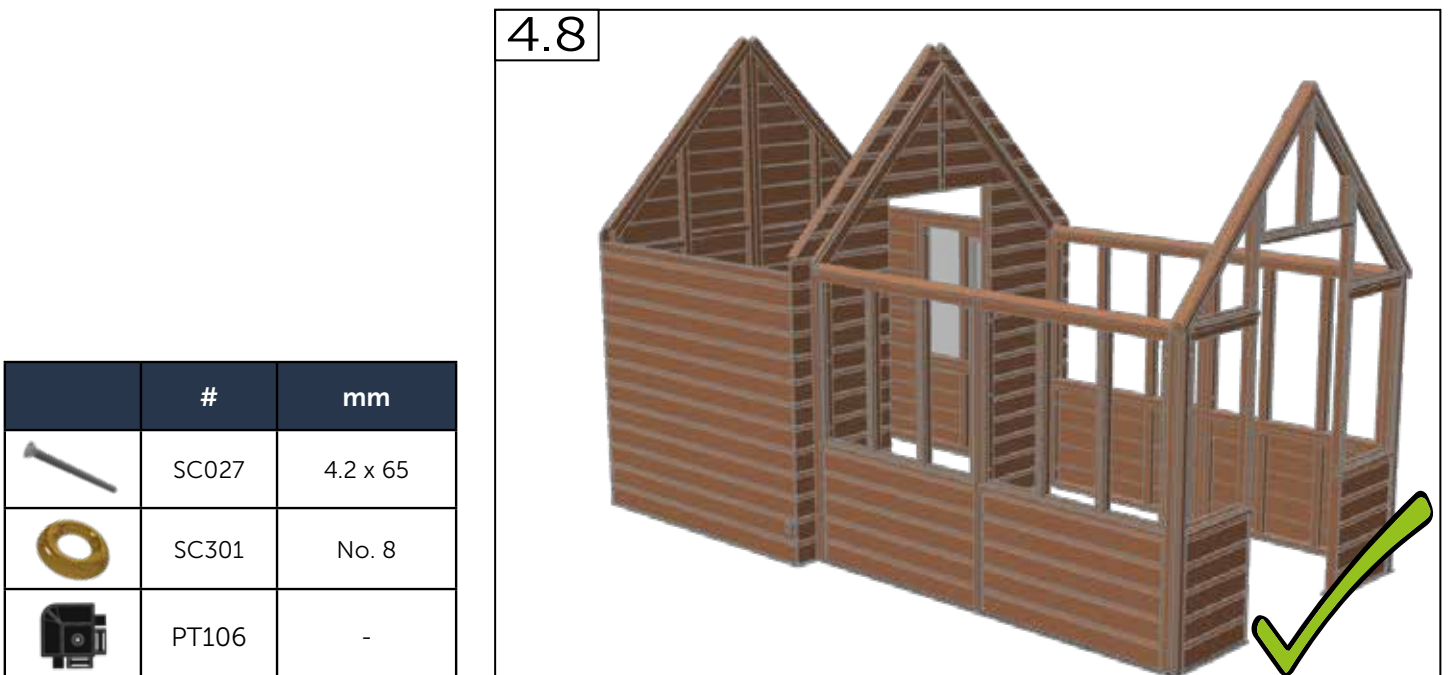
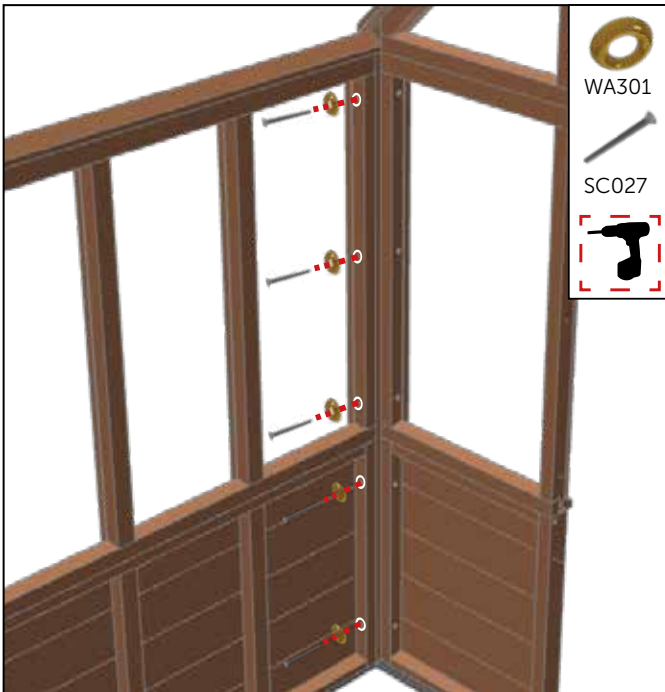
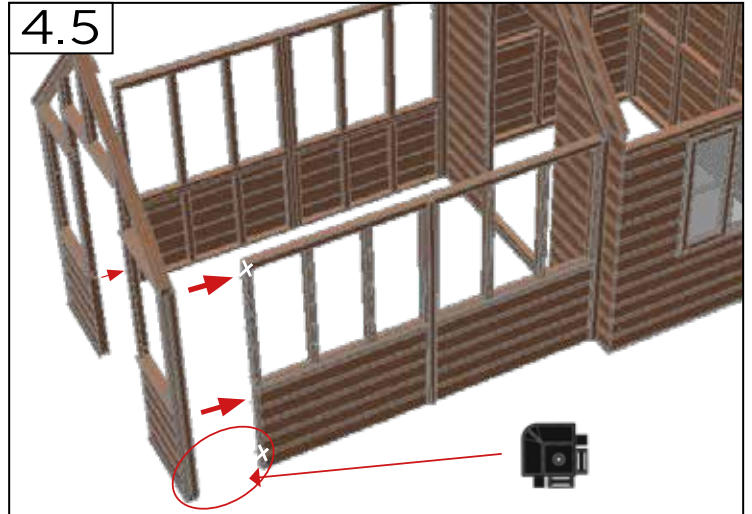
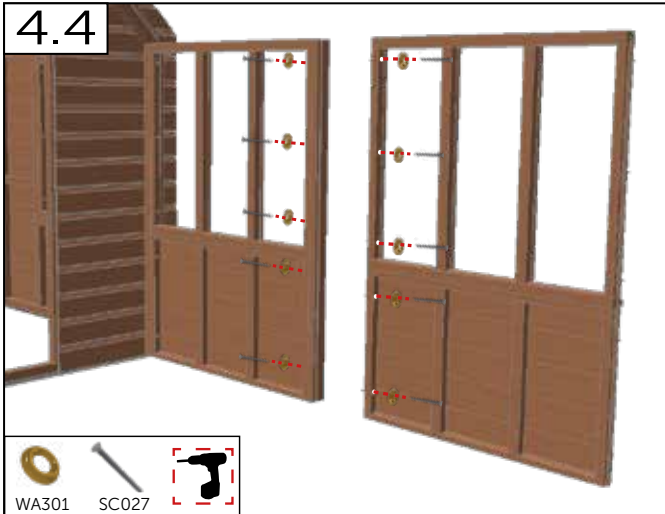
4.2



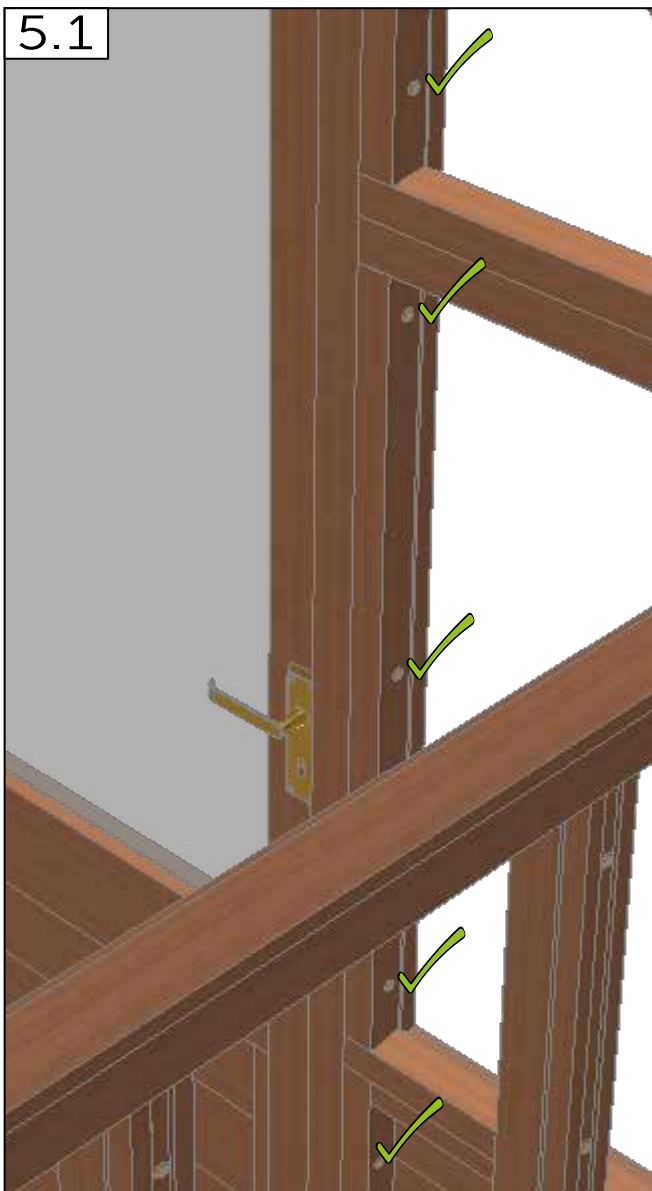
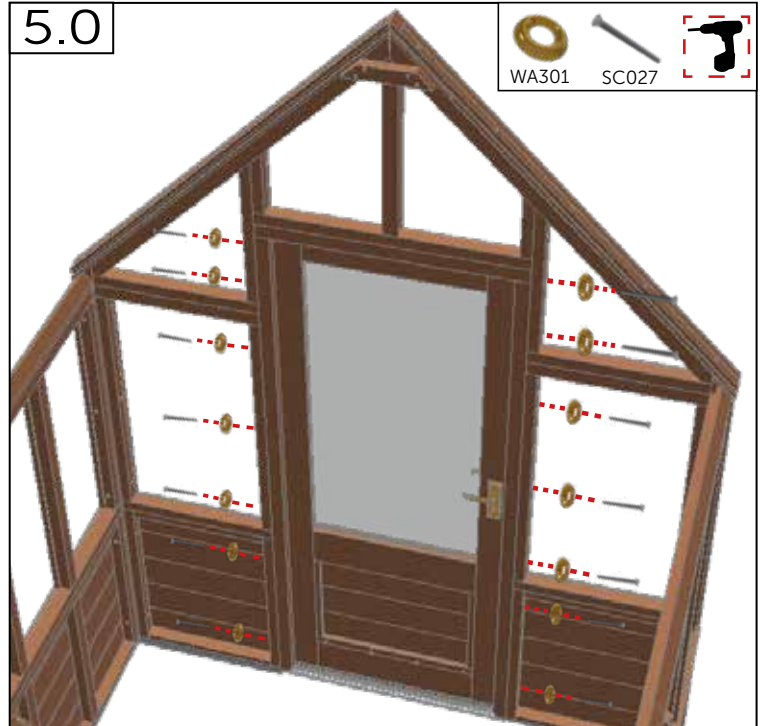
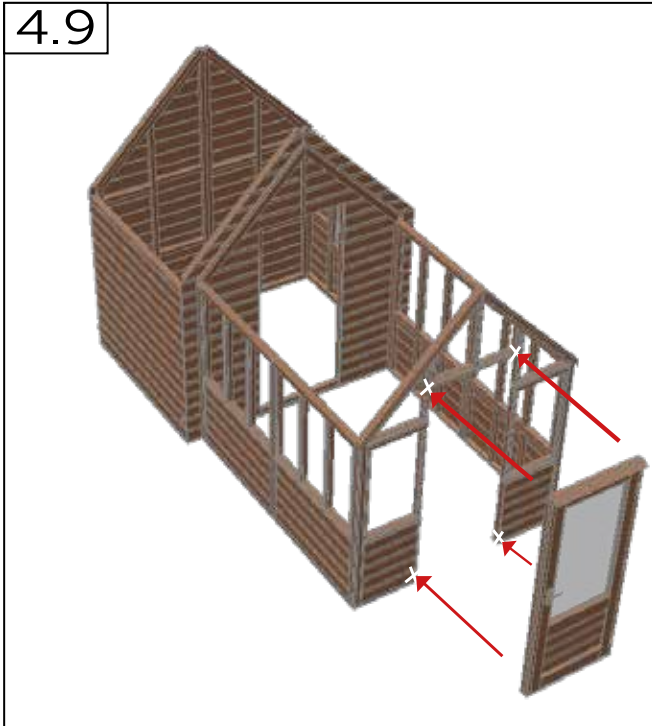
4.3






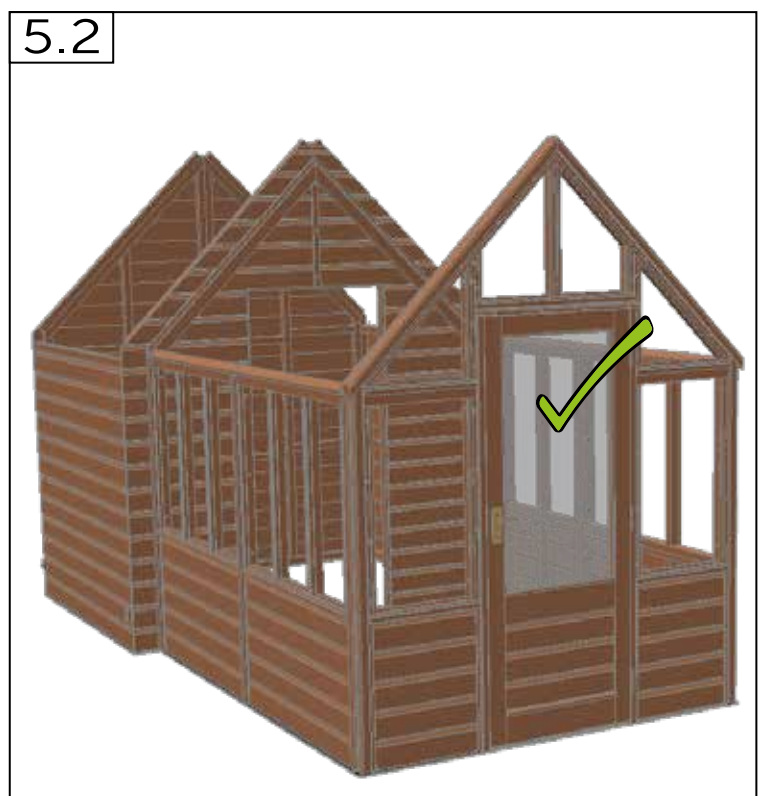
Gables - Gavle - Giebel - Gavlar - Pignons - Gevels - Päädyt - ściana szczytowa - Gavler - Aguilones

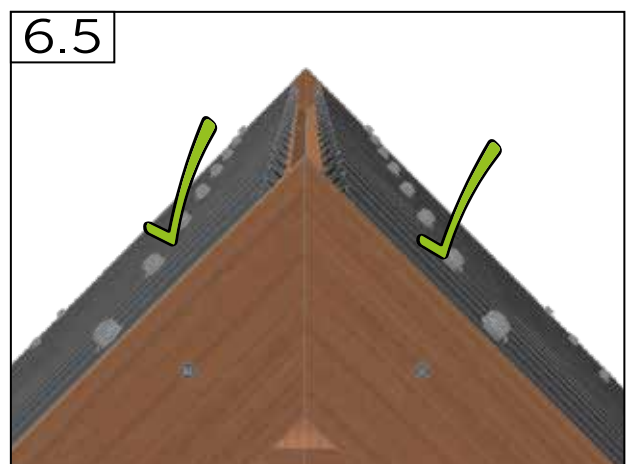
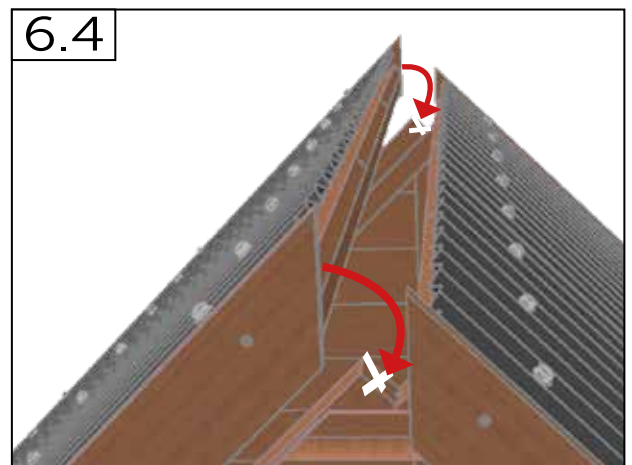
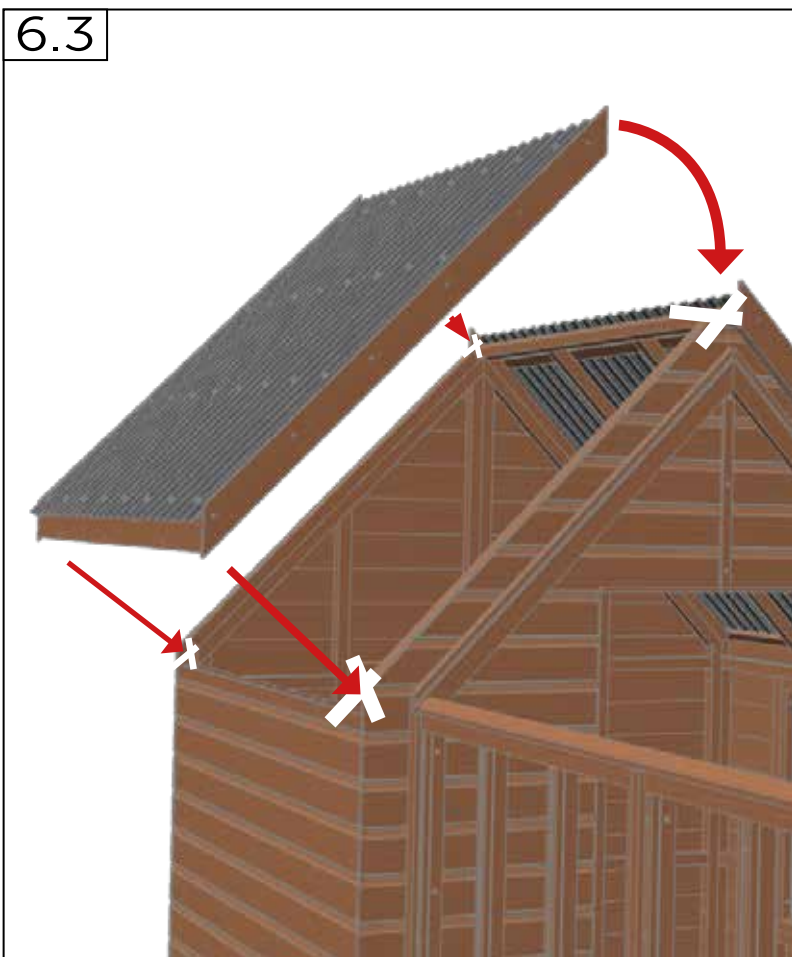
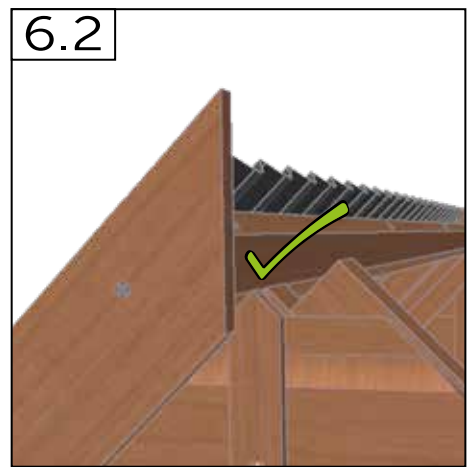
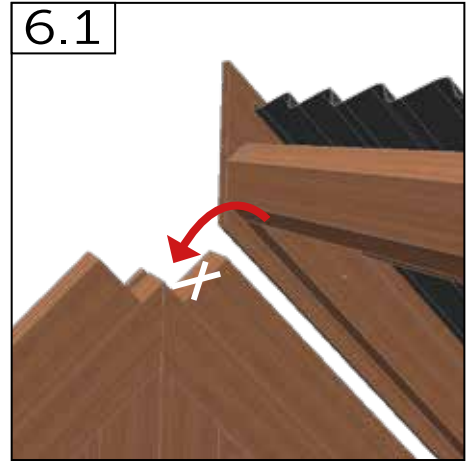
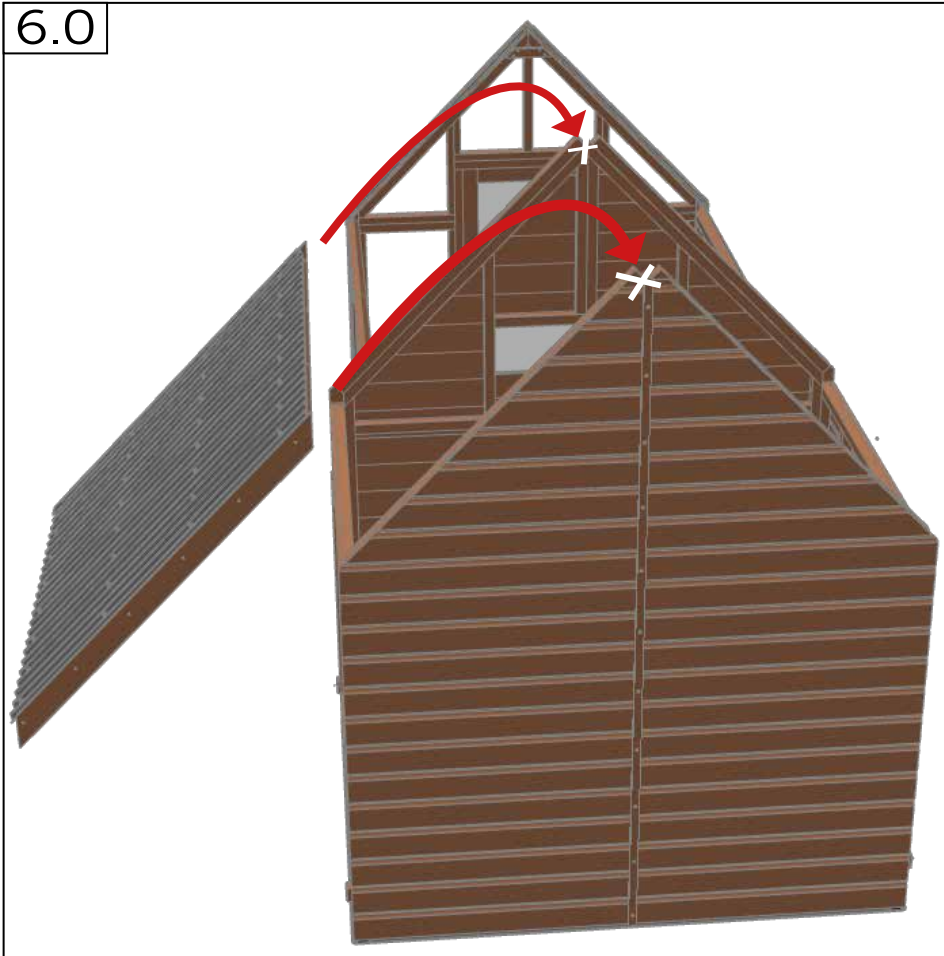


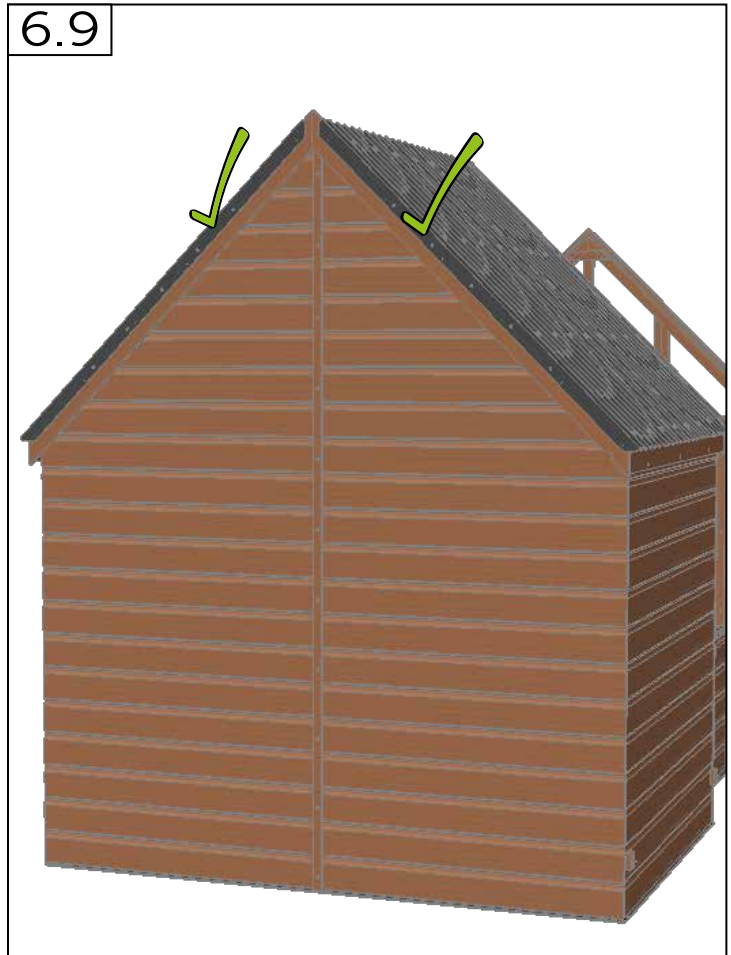
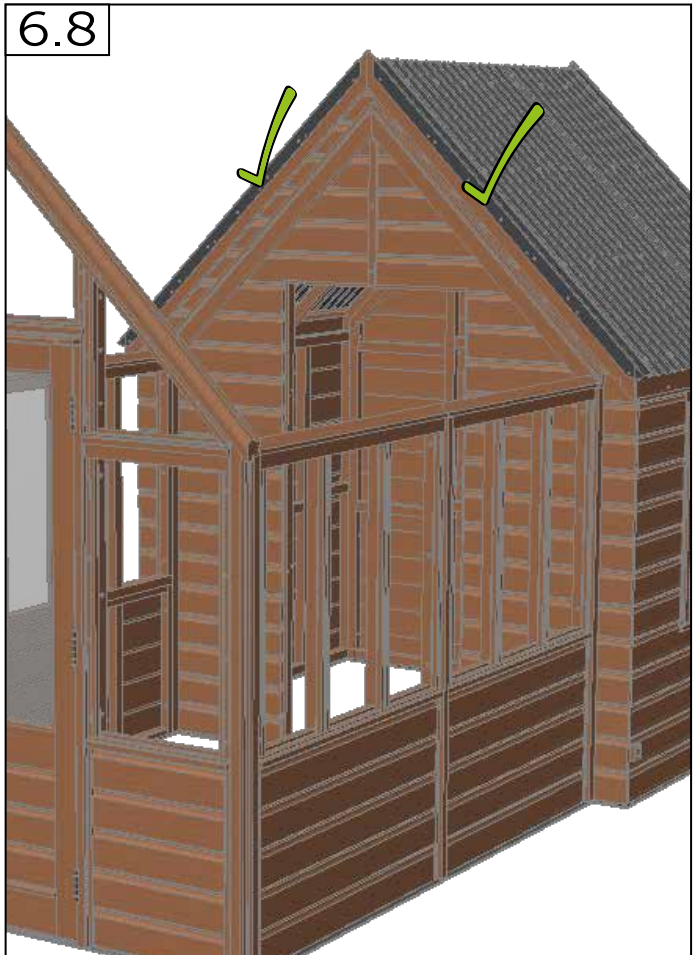
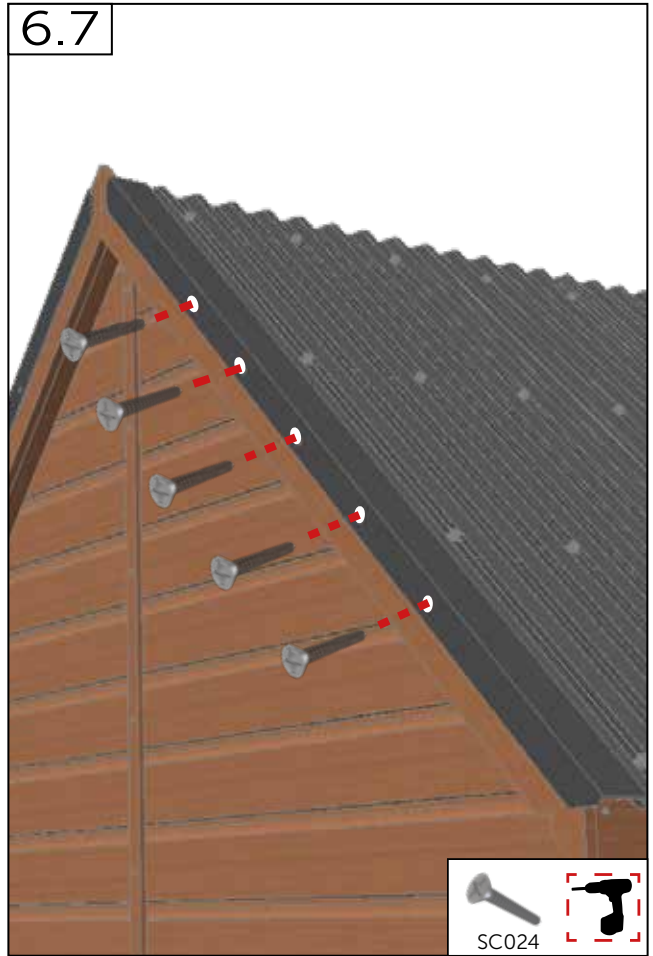
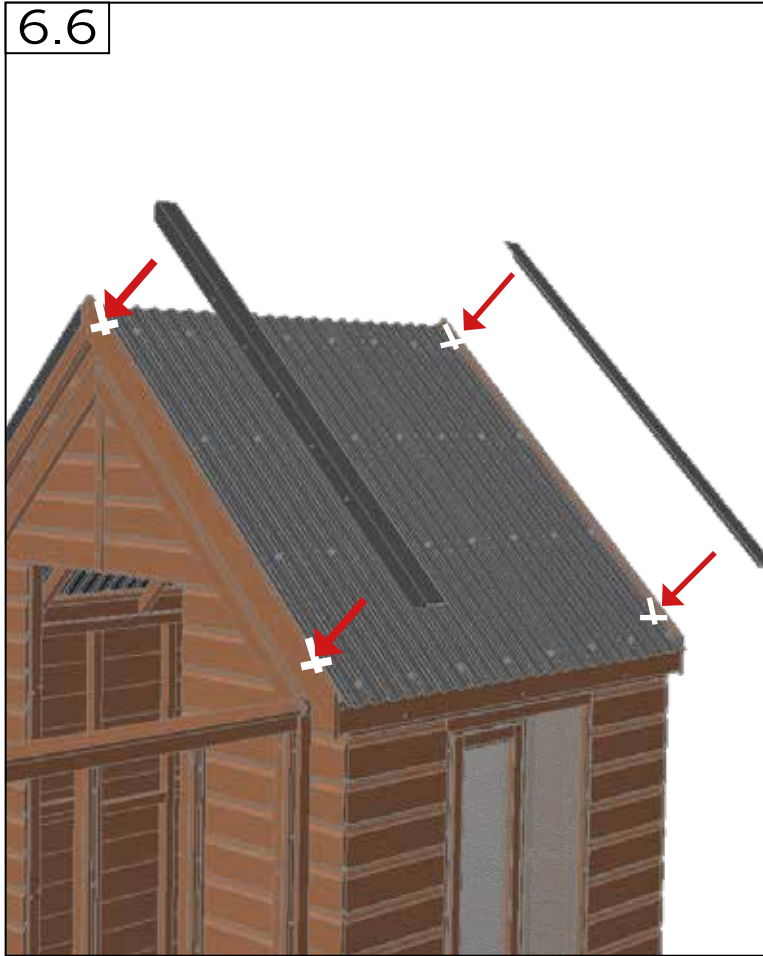
	#	mm
	SC027	4.2 x 65
	SC301	No. 8
	PT106	-



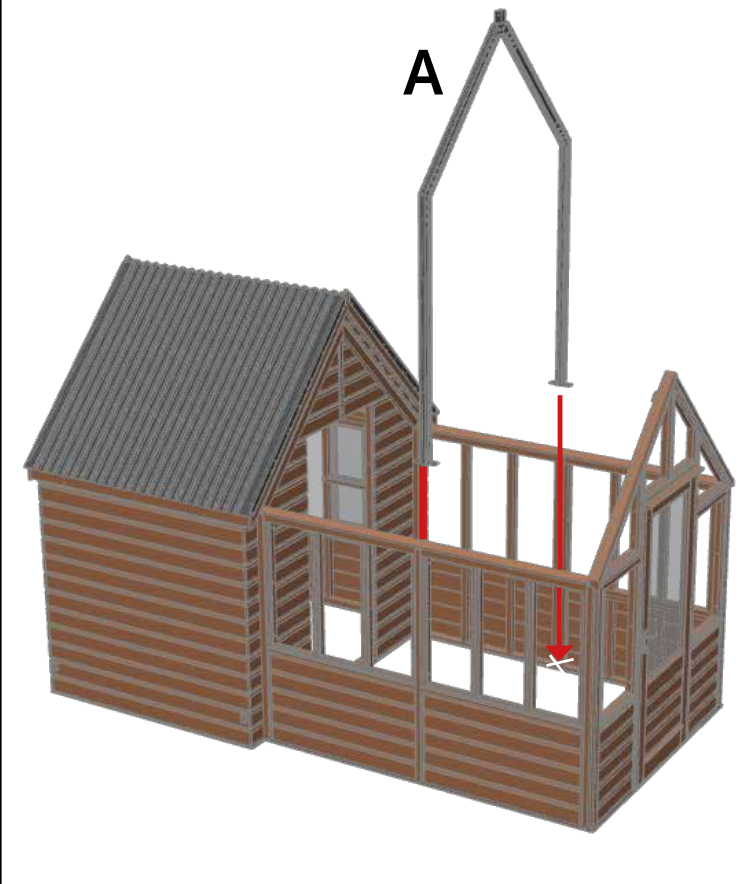
	#	mm
	SC027	4.2 x 65
	SC301	No. 8
	PT106	-









7.0

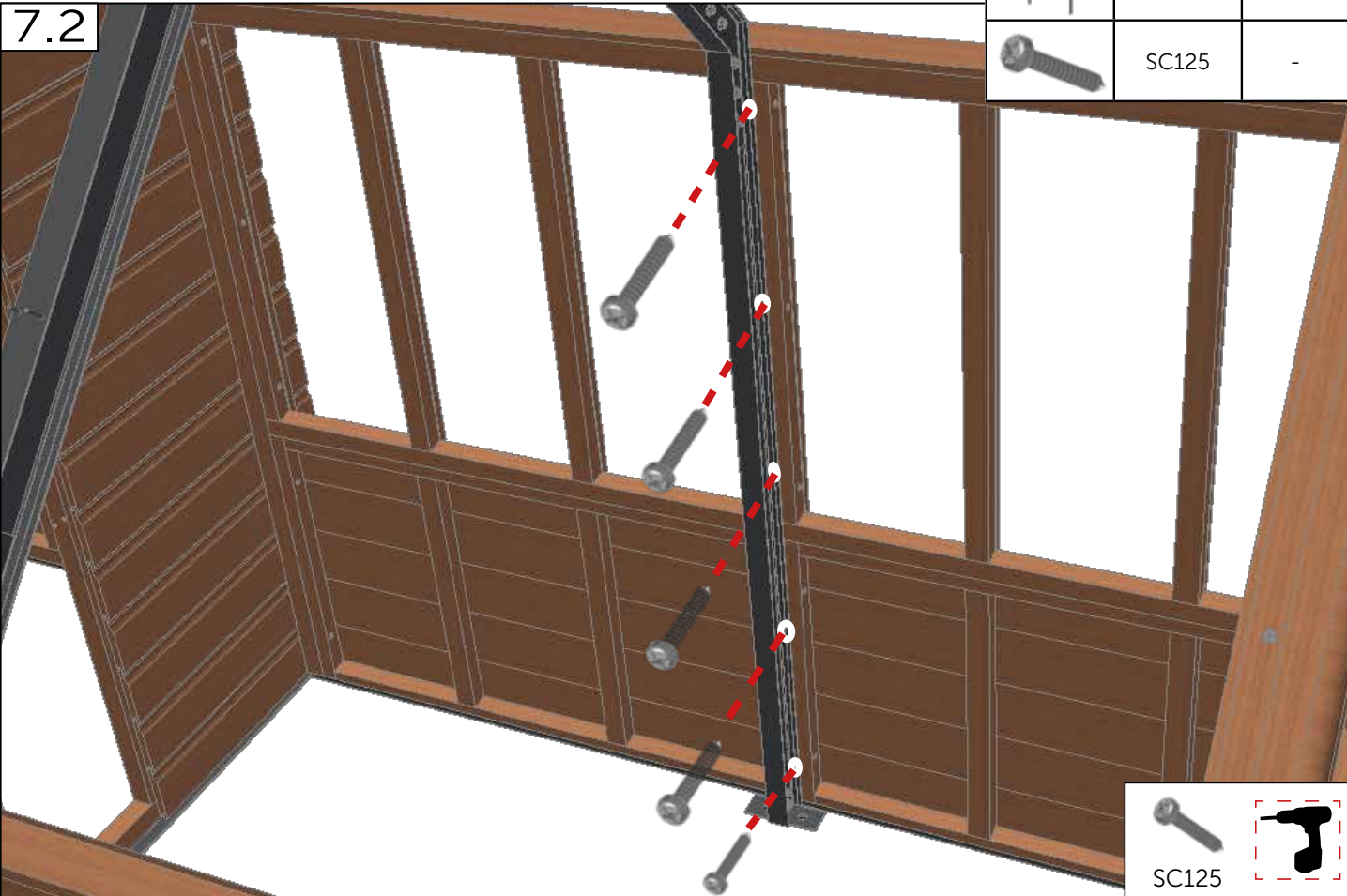


7.1



	#	mm
	A	-
	SC125	-

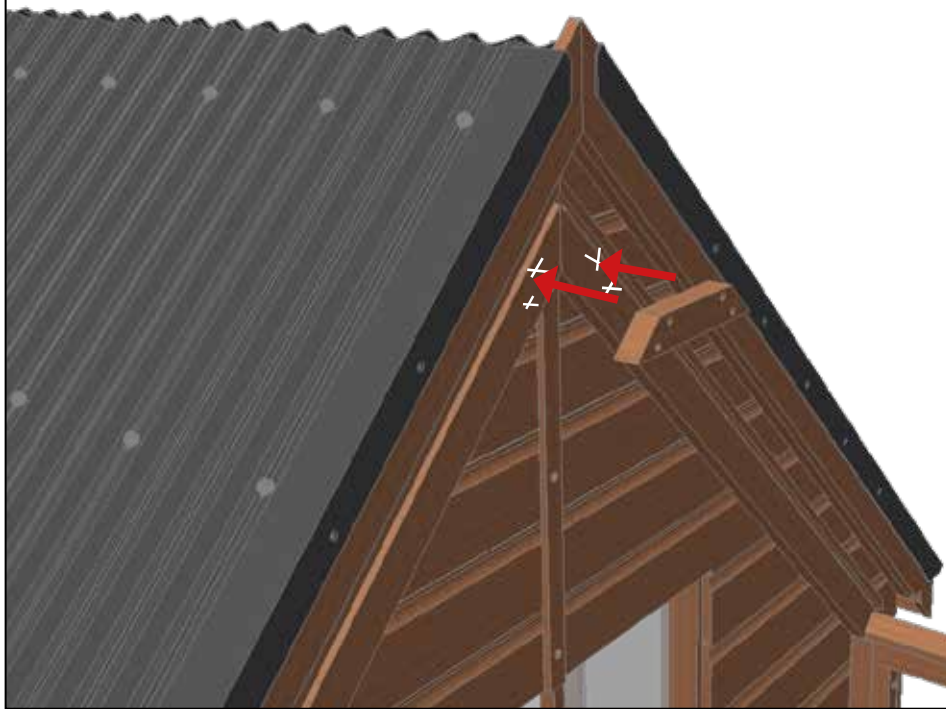
7.2



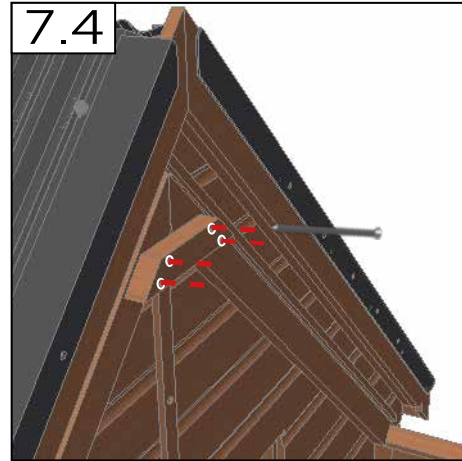


SC125

7.3

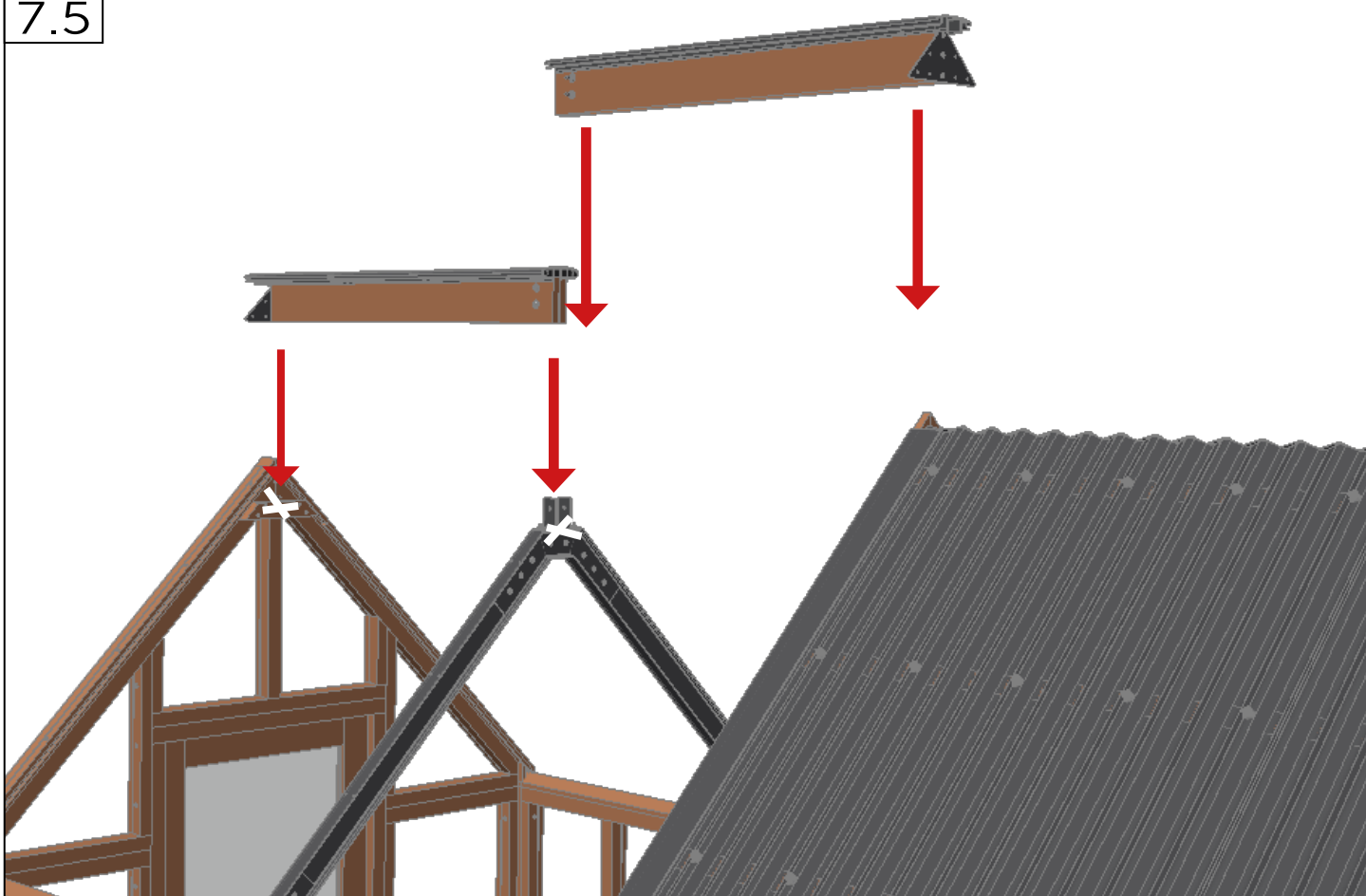


7.4



	#	mm
	w456-04	-
	SC027	4.2 x 65

7.5

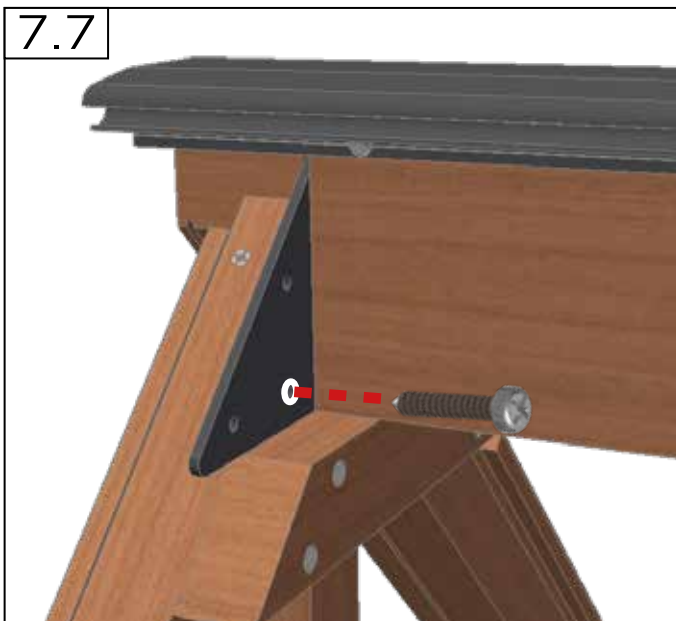


7.6

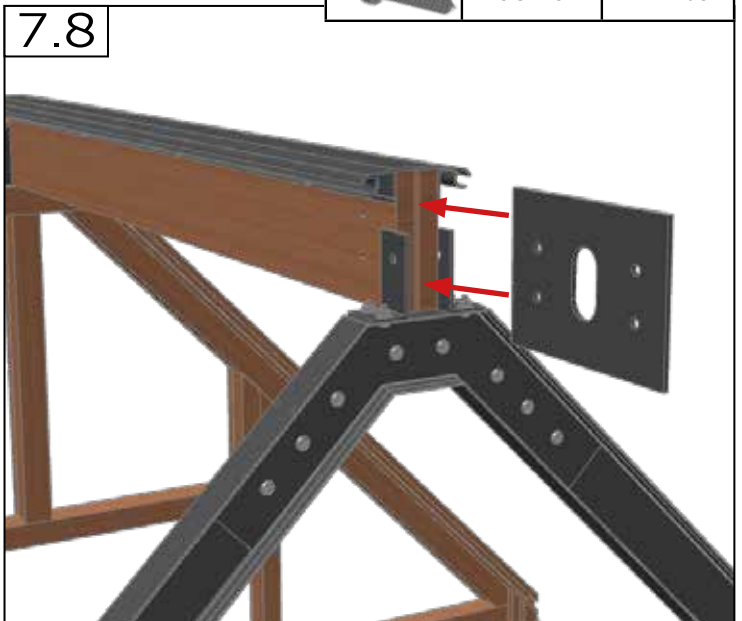


	#	mm
	A	-
	B	-
	AD001	70
	BL155	M8 x 20
	BL156	M8 x 80
	WA205	M8
	NU102	M8
	C AL3076	-
	SC125	4.2 x 65

7.7

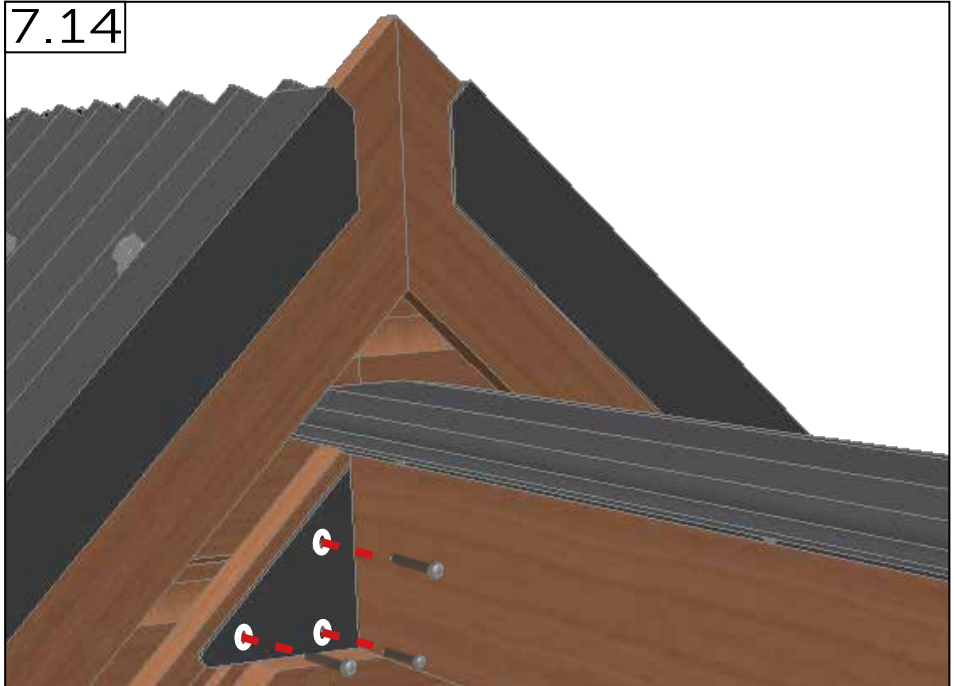
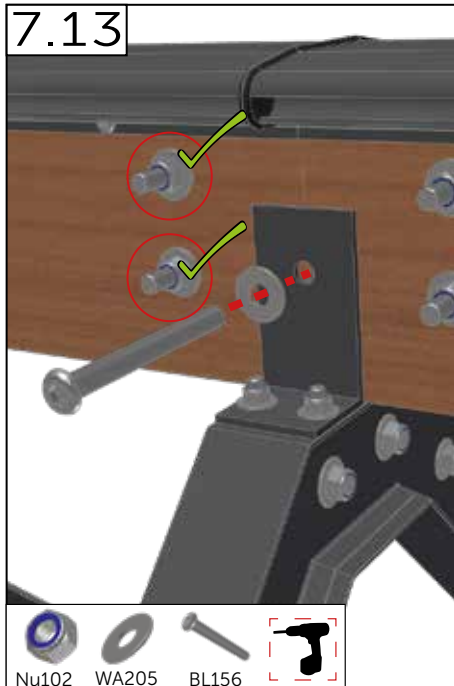
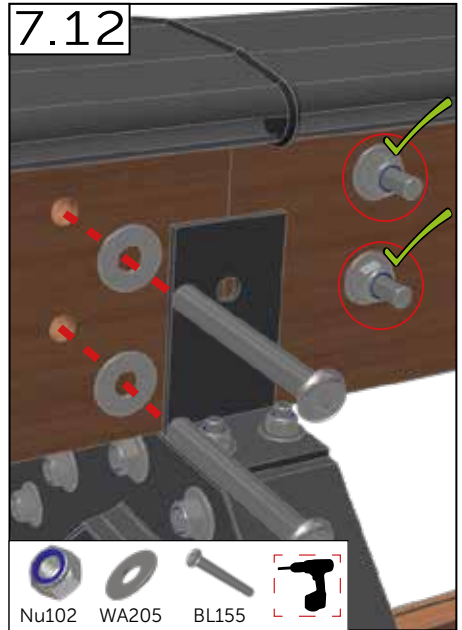
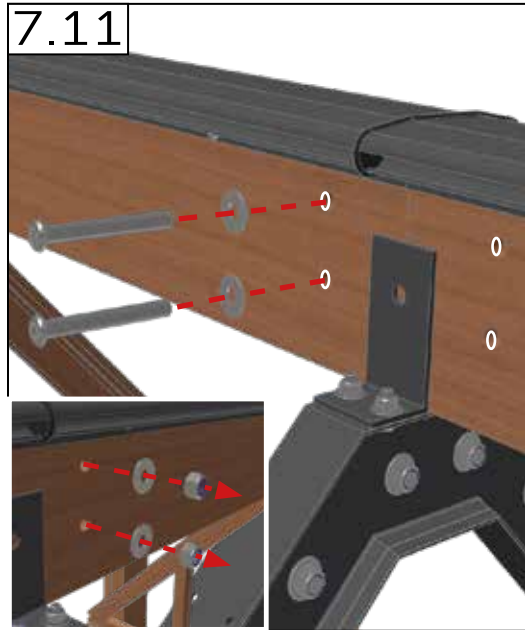
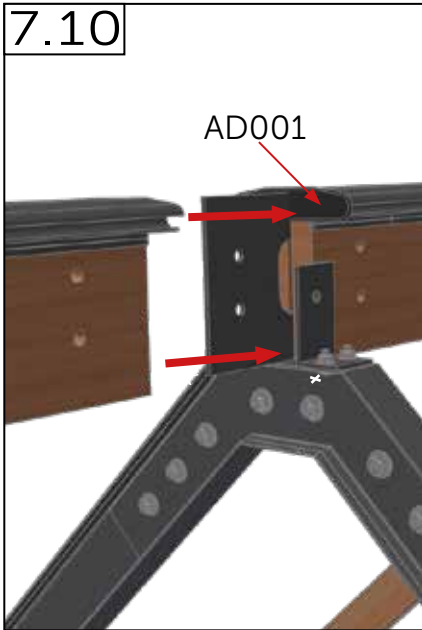


7.8



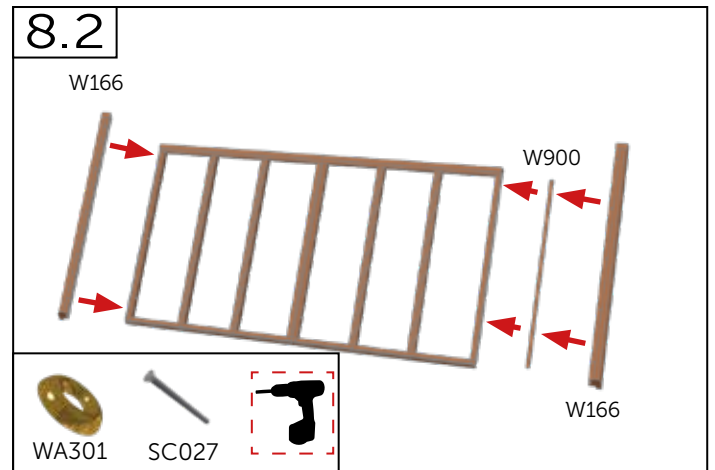
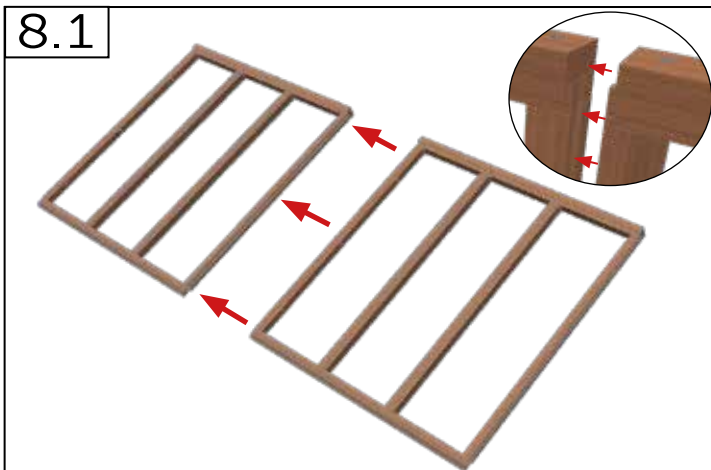
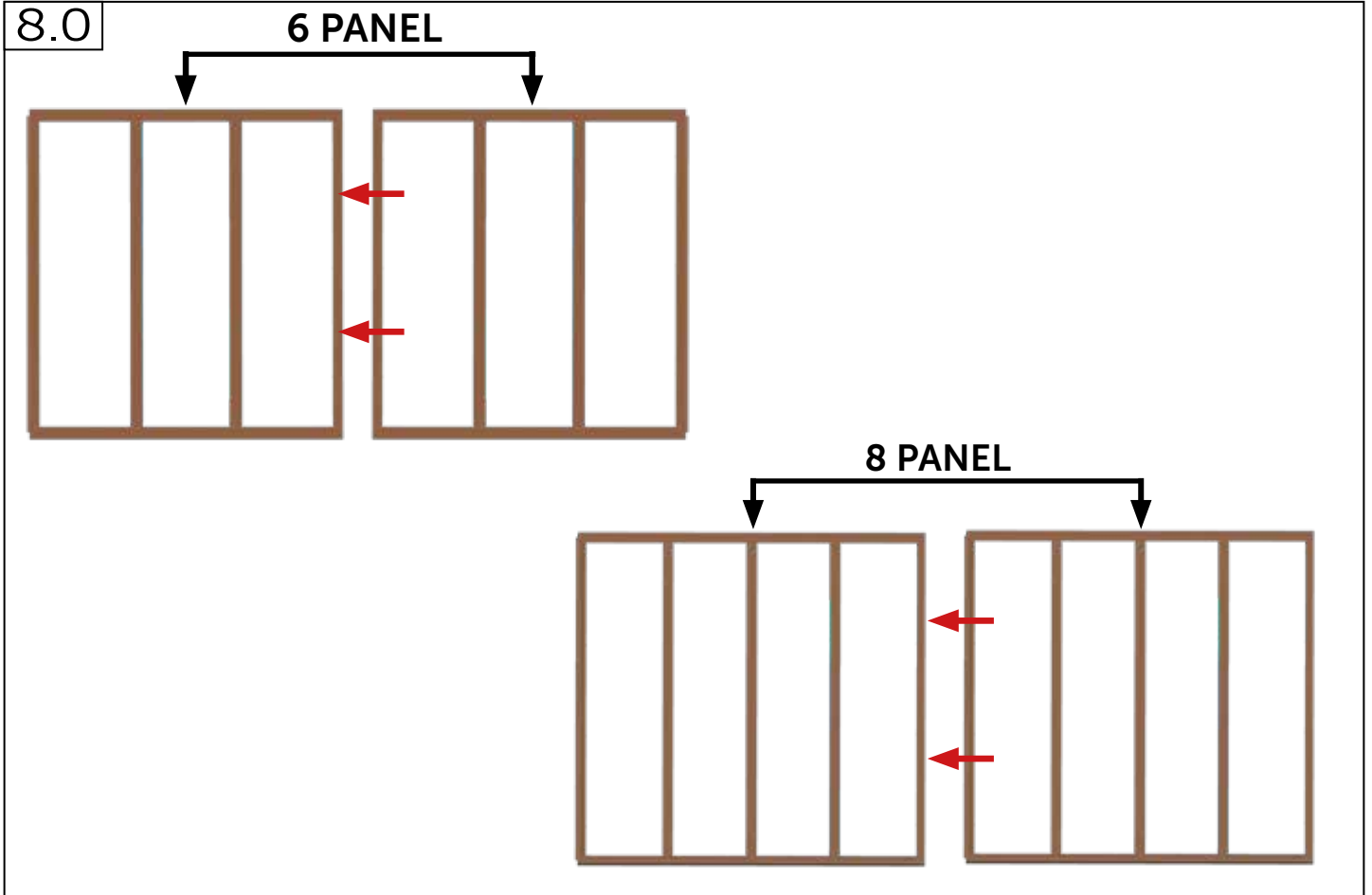
7.9



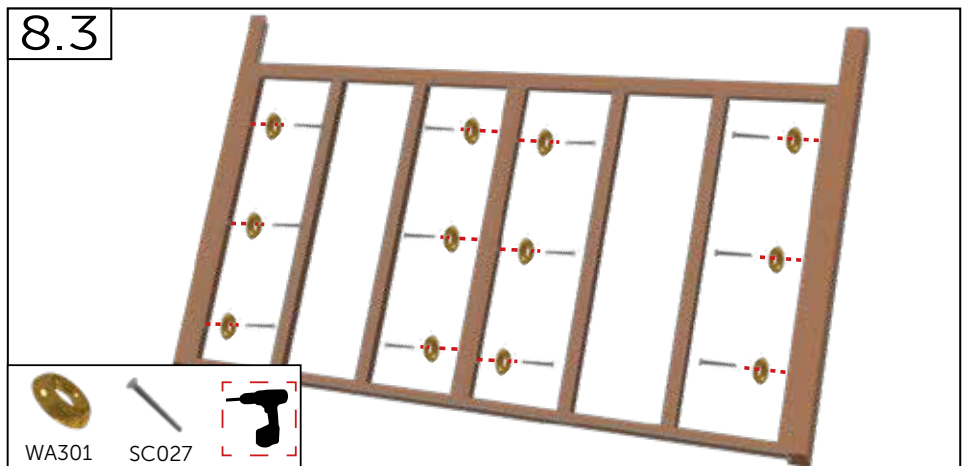


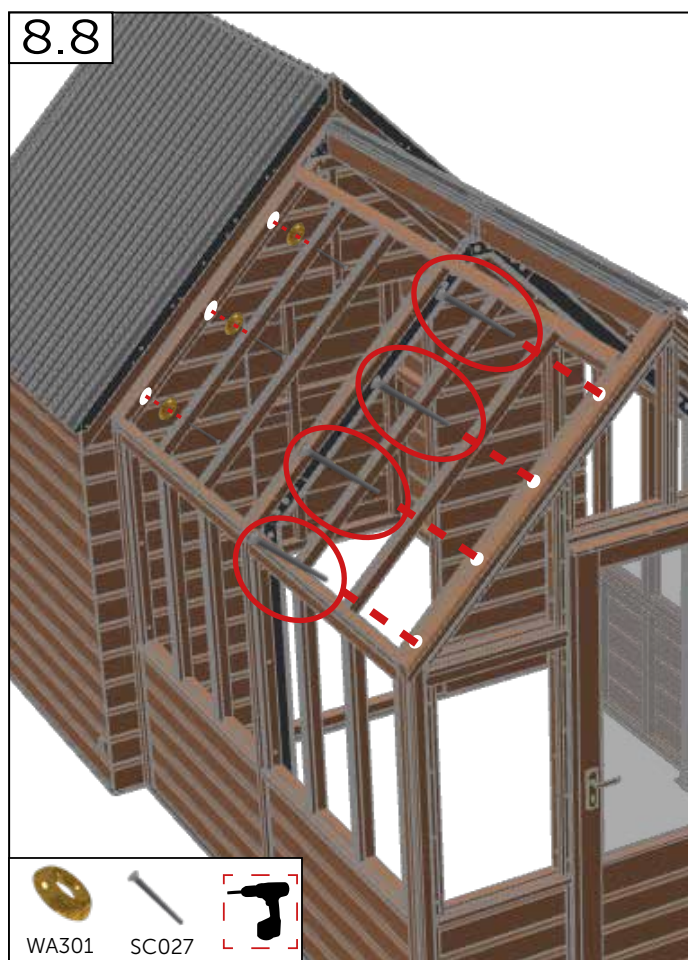
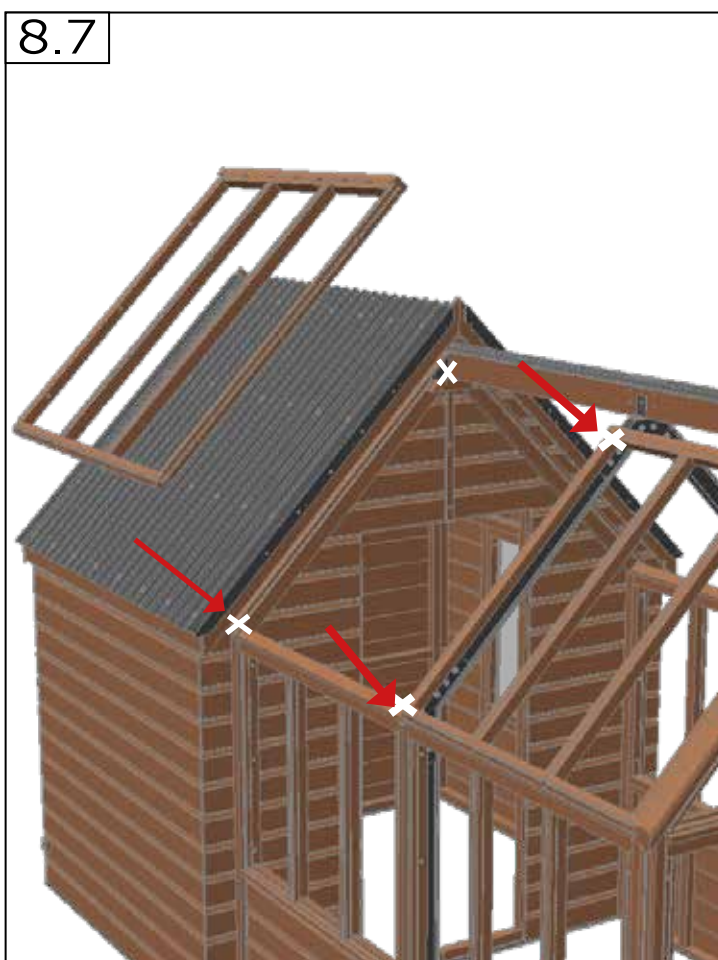
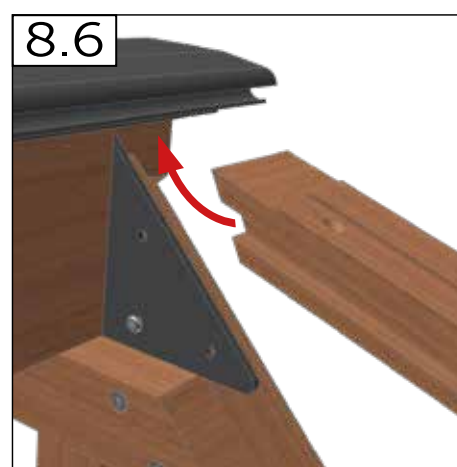
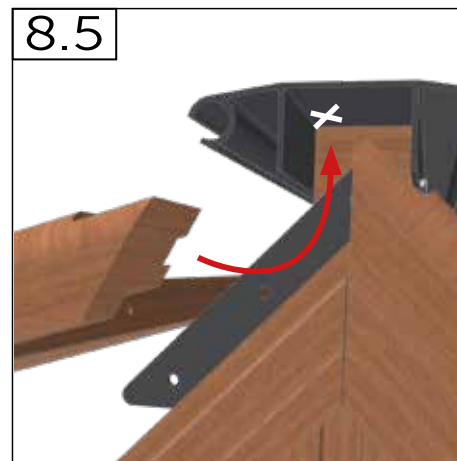
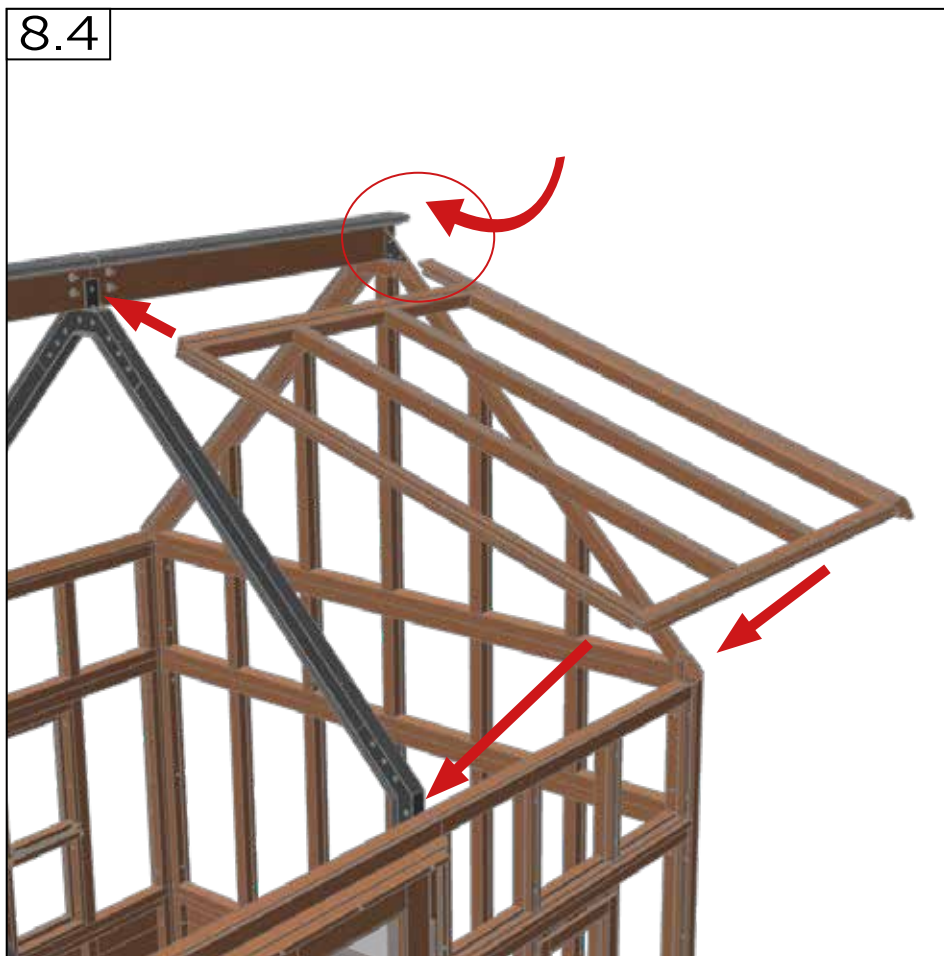
	#	mm
	A	-
	BL155	M8 x 20
	BL156	M8 x 80
	WA205	M8
	NU102	M8
	SC125	4.2 x 65

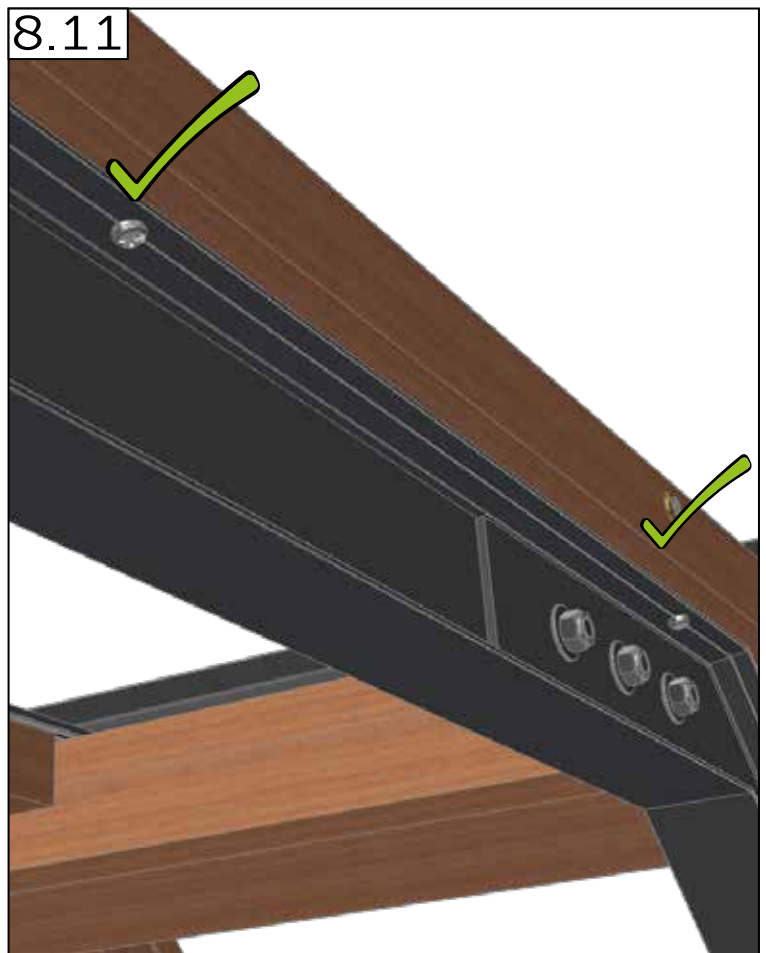
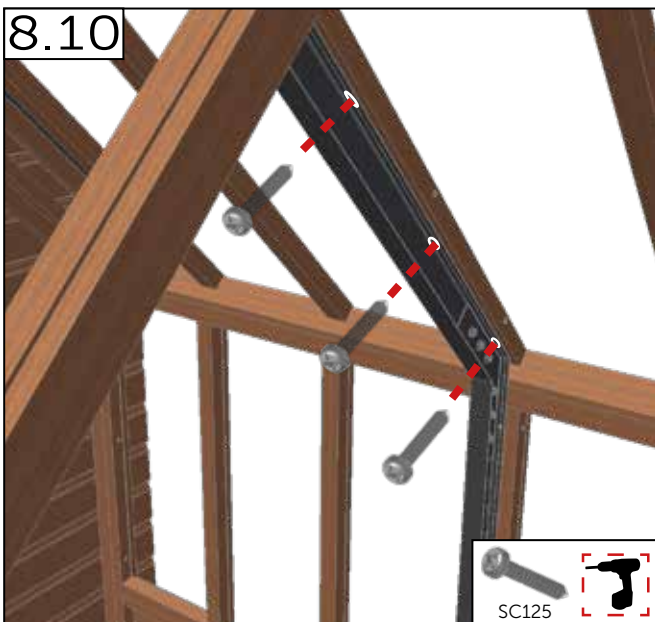






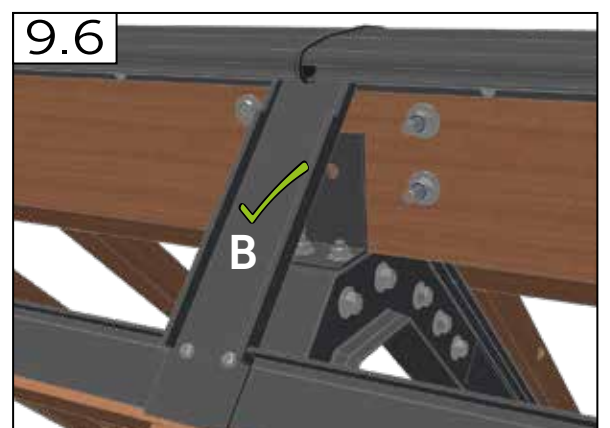
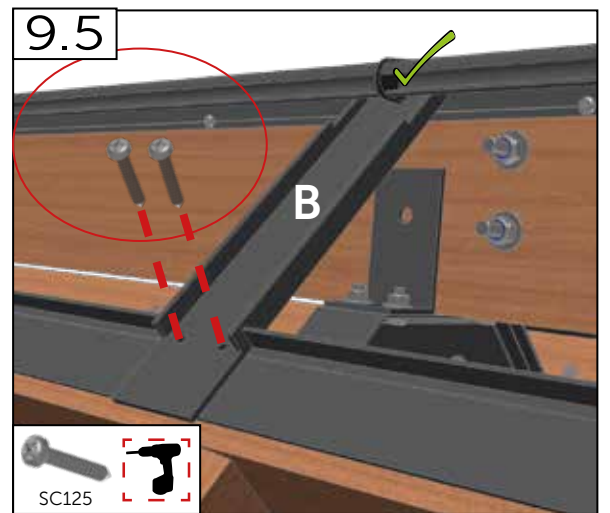
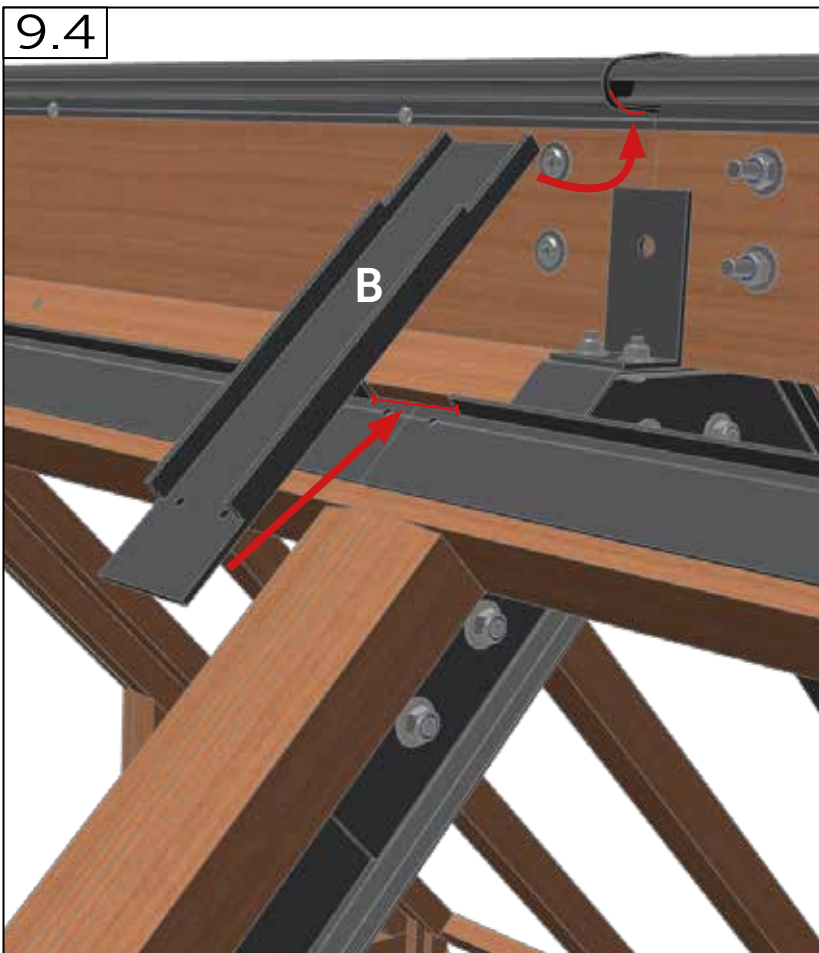
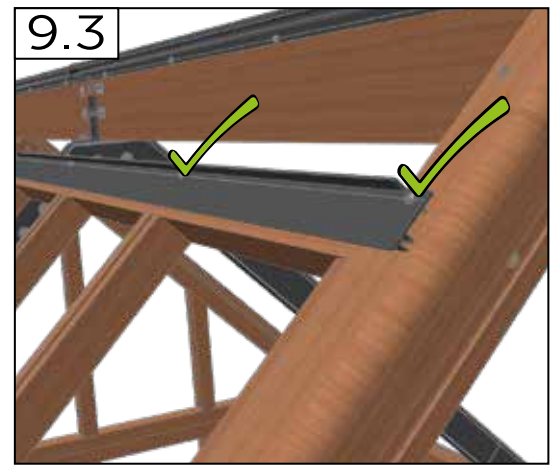
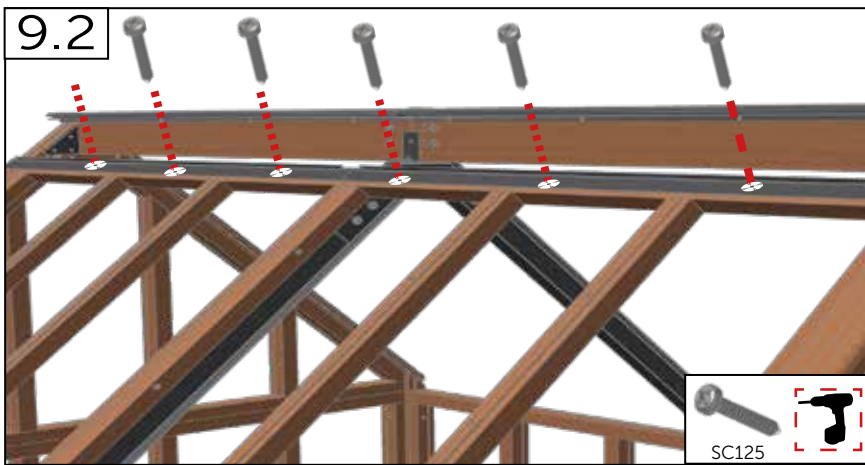
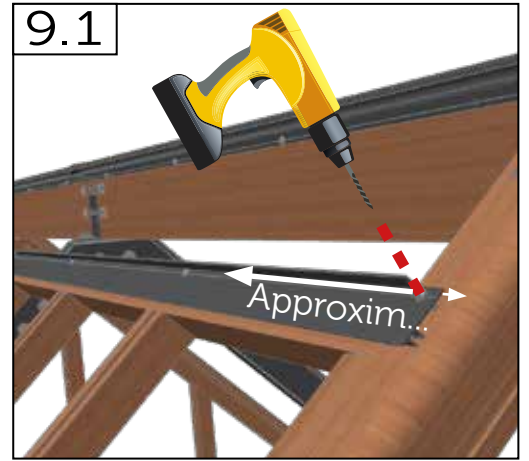
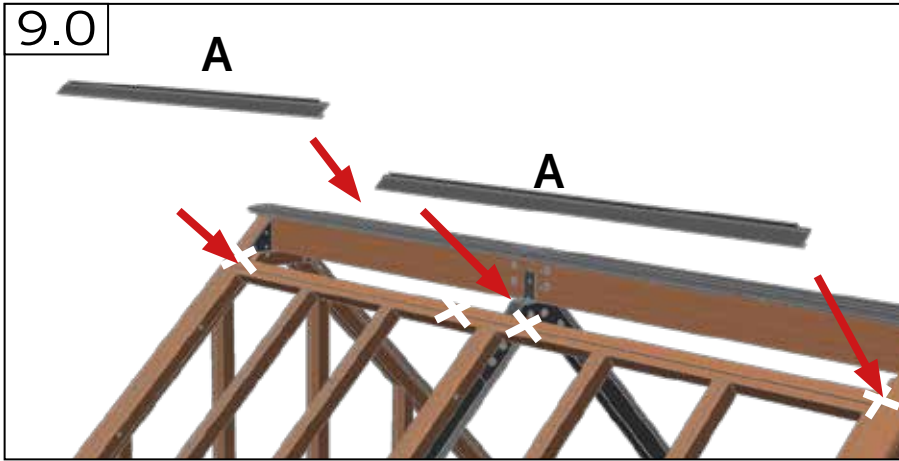
	#	mm
	SC027	4.2 x 65
	WA301	No. 8
	W900	-
	W166	-
	W166	-





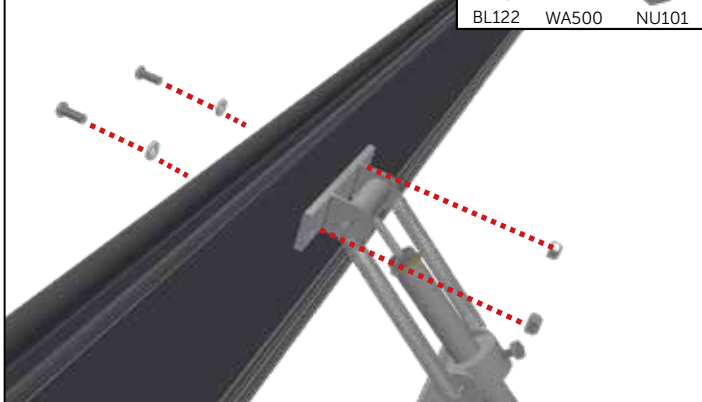


	#	mm
	SC026	4.2 x 50
	SC125	4.2 x 125

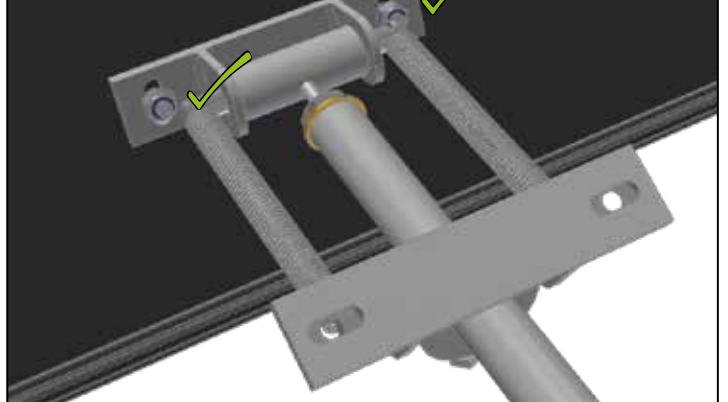


Assemble - Samilng - Verbinden - Montera - Assemblage - Monteren -
kokoaminen - Montaż stelaża - Montere - Armar

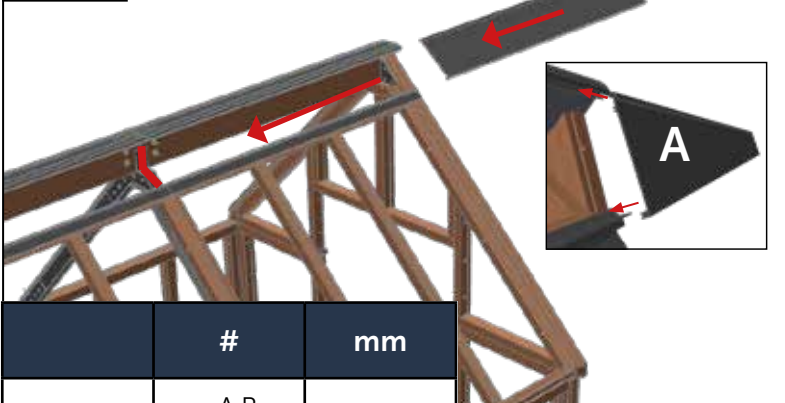
10.0



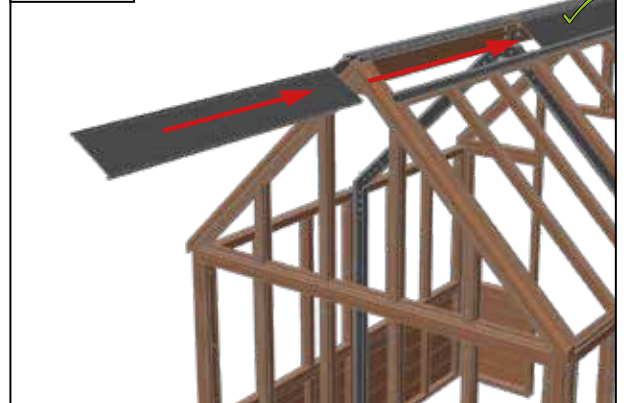
10.1



10.2

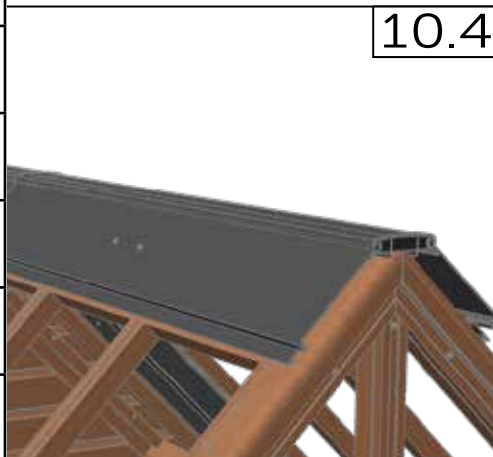


10.3

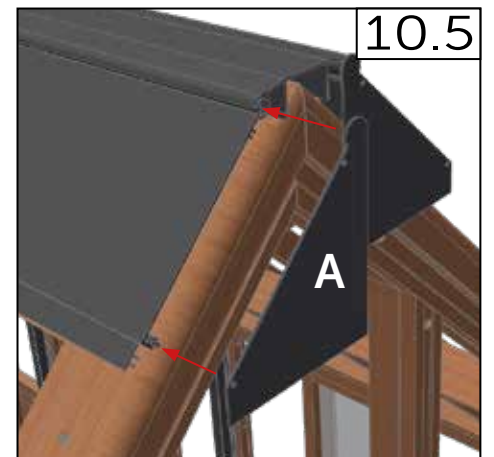


	#	mm
	A,B AL2000	-
	AV001	-
	WA500	M6 x 16
	NU101	M6
	BL122	M6 x 16
	A AL3030	-

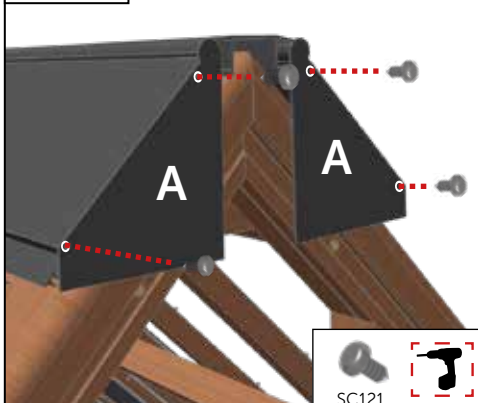
10.4



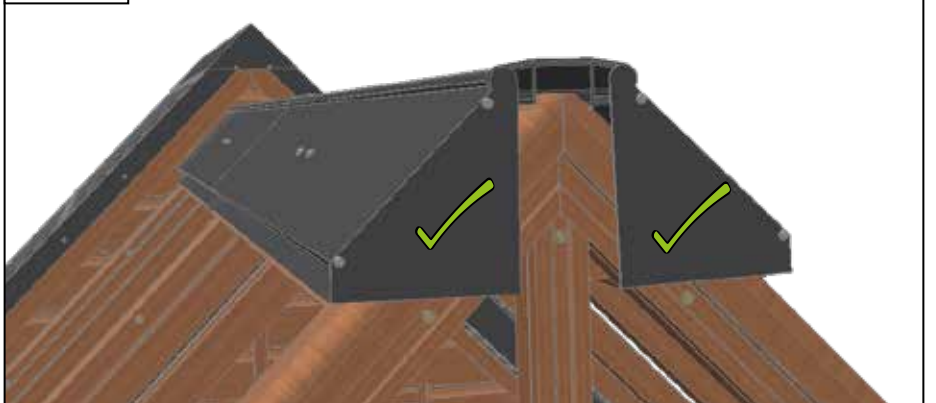
10.5



10.6

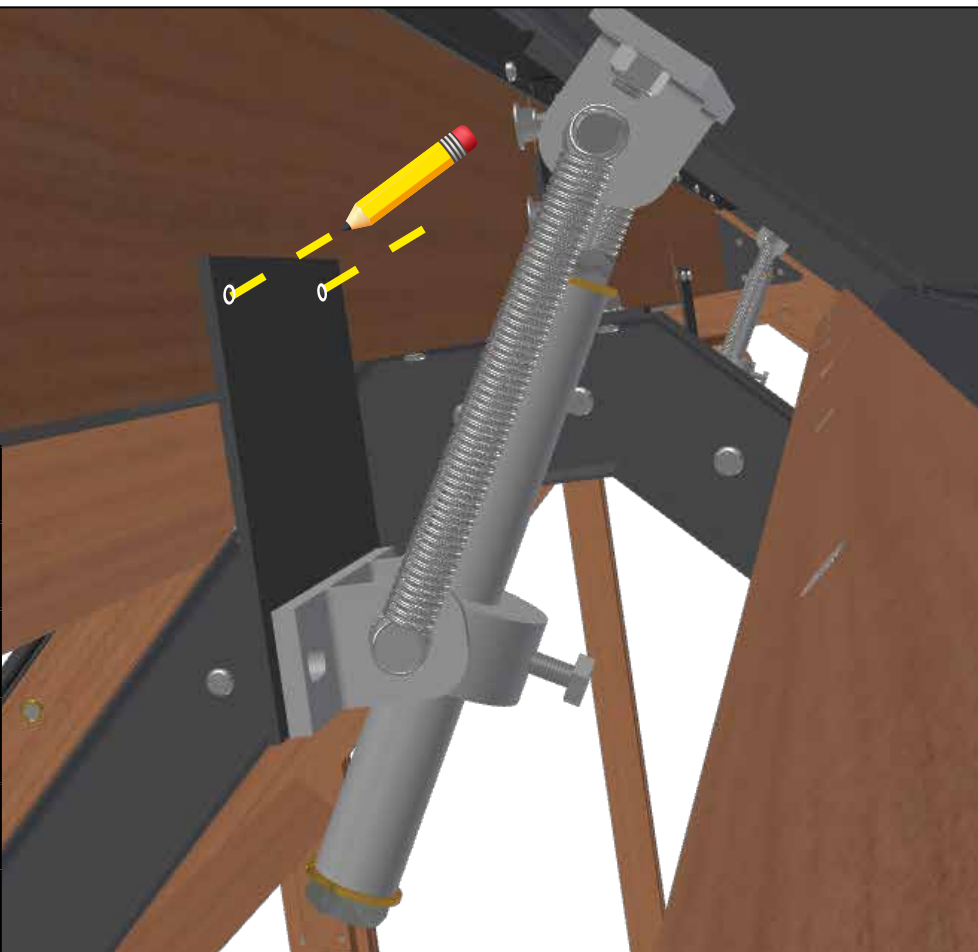


10.7

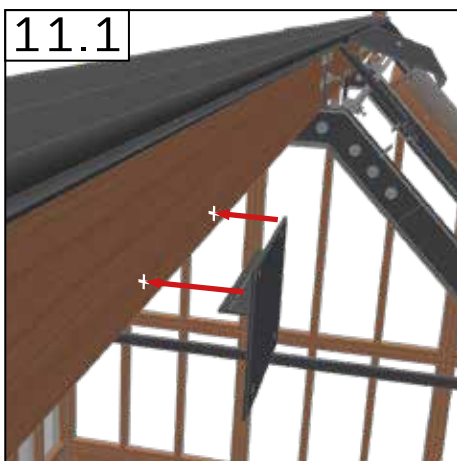


11.0

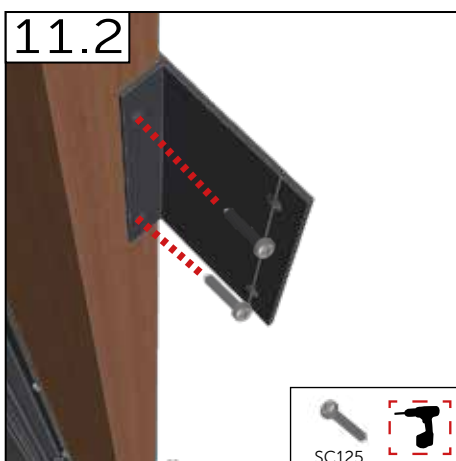
	#	mm
	AV001	-
	WA500	M6 x 16
	NU101	M6
	BL122	M6 x 16
	SC125	4.2 x 95



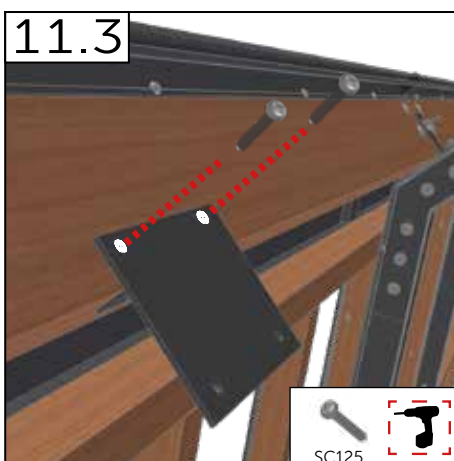
11.1



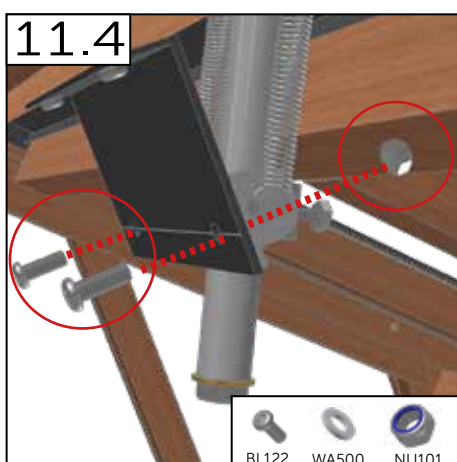
11.2



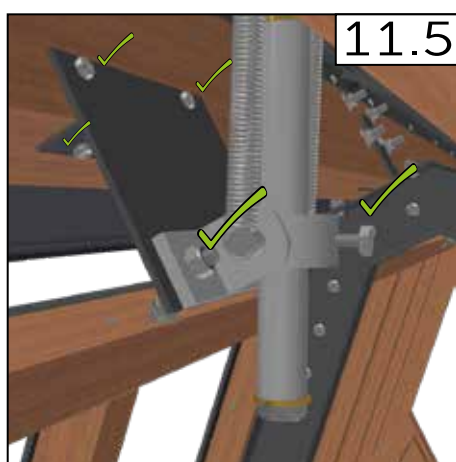
11.3



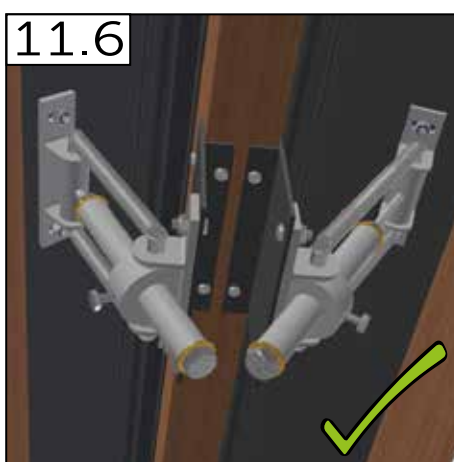
11.4



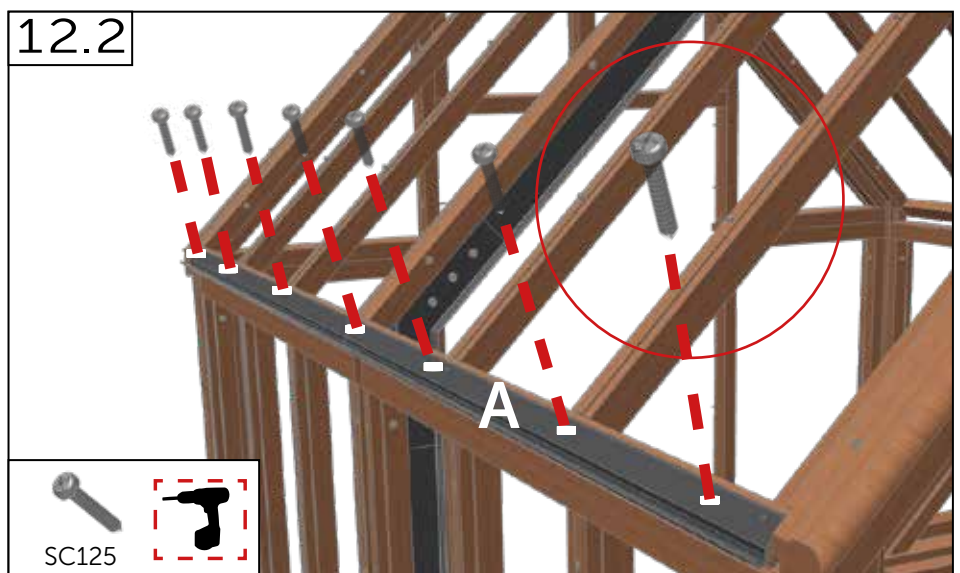
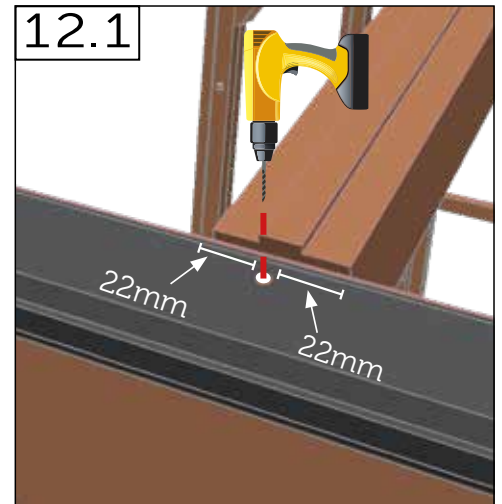
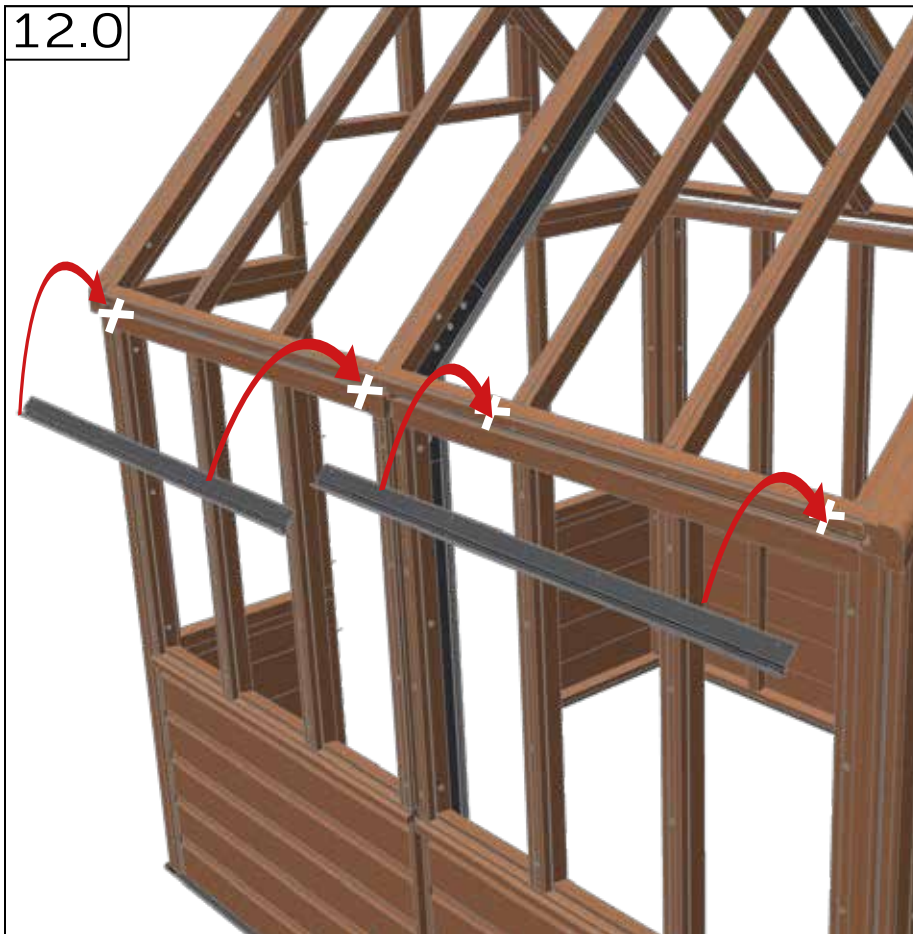
11.5



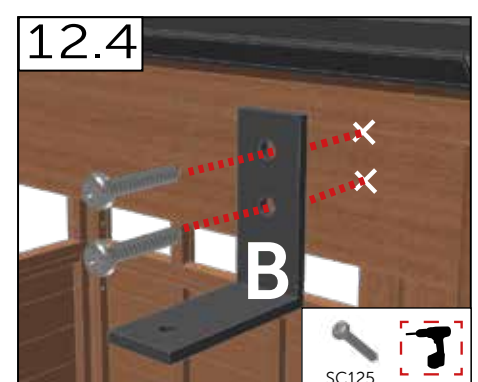
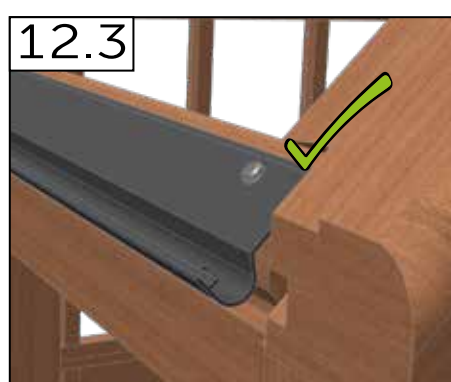
11.6



Trims - Trimmer - Trimmen - Garnitures - Versierungen - Trimmit
 - Wykończenia - dornos



	#	mm
	A AL2022	-
	SC125	4.2 x 25
	B AL3051	-

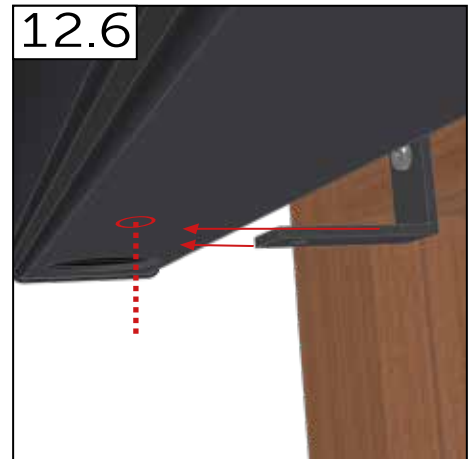


12.5

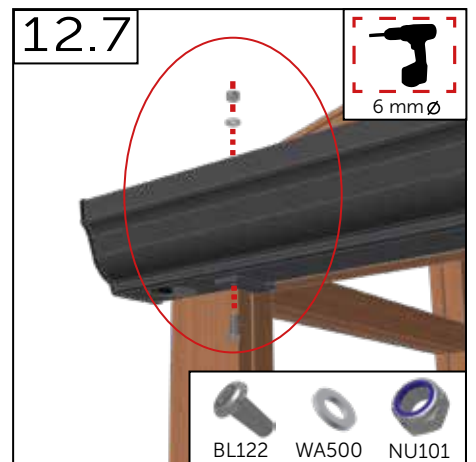


	#	mm
	A AL2014	-
	B AL2014	-
	BL122	M6 x 16
	WA500	M6 x 16
	NU101	M6
	PT200	MALE FEMALE
	PT204	-

12.6



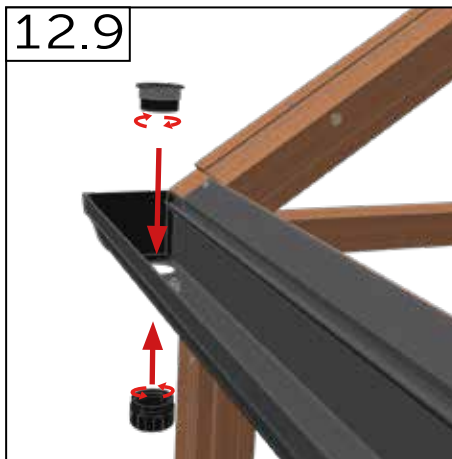
12.7



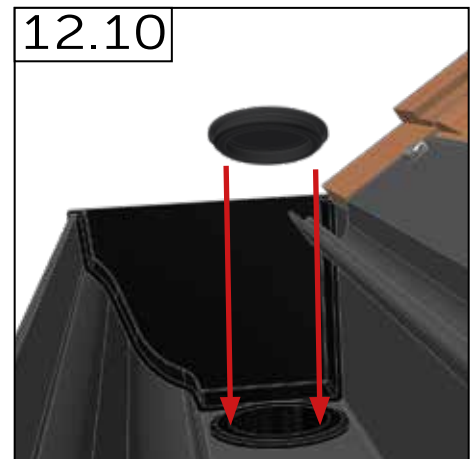
12.8



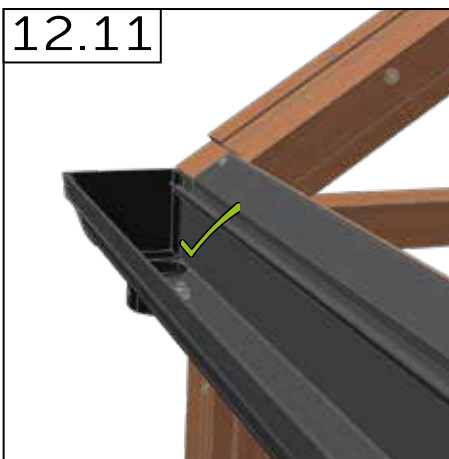
12.9



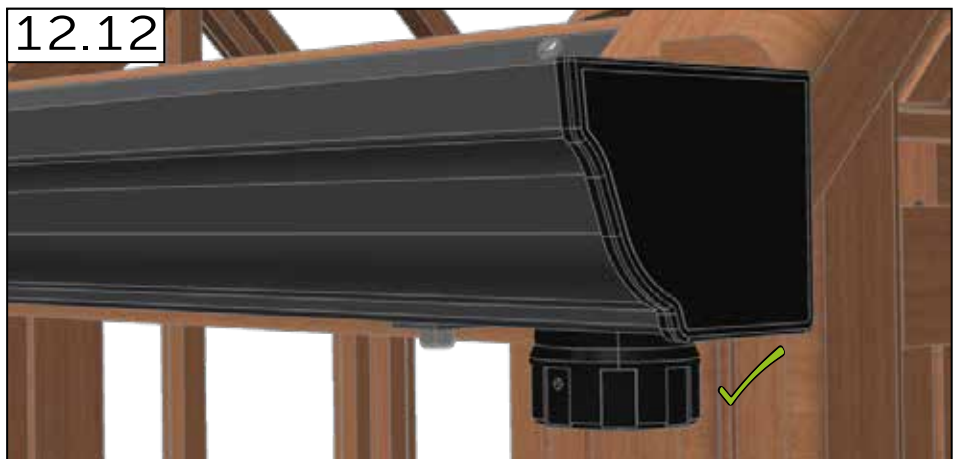
12.10

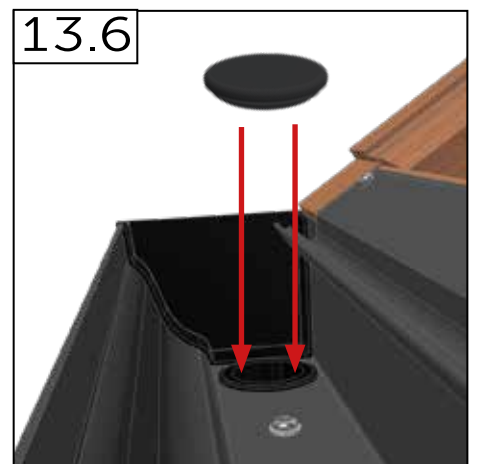
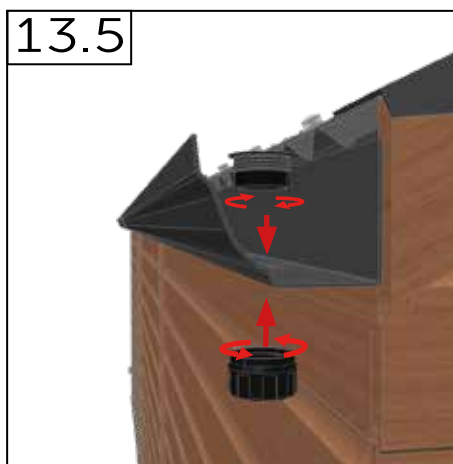
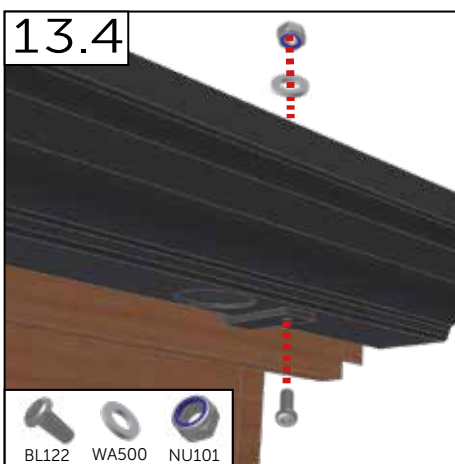
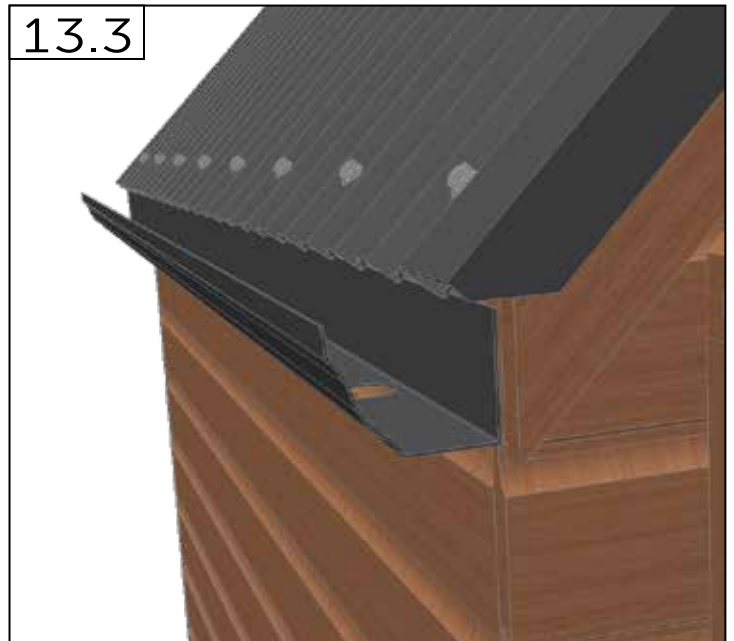
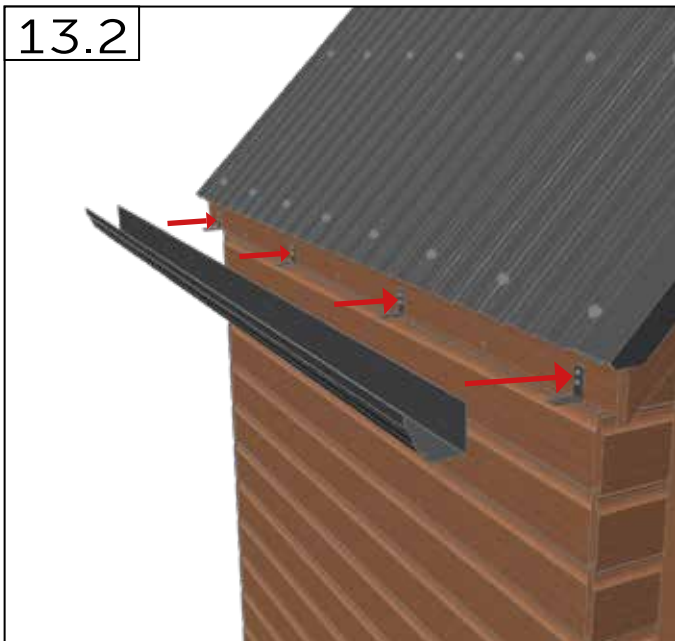
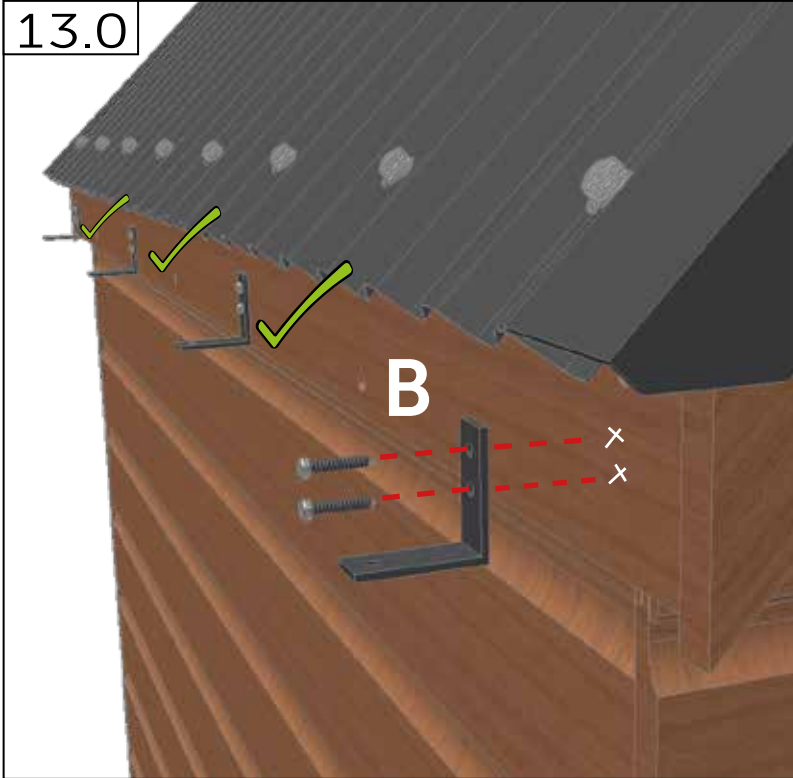


12.11

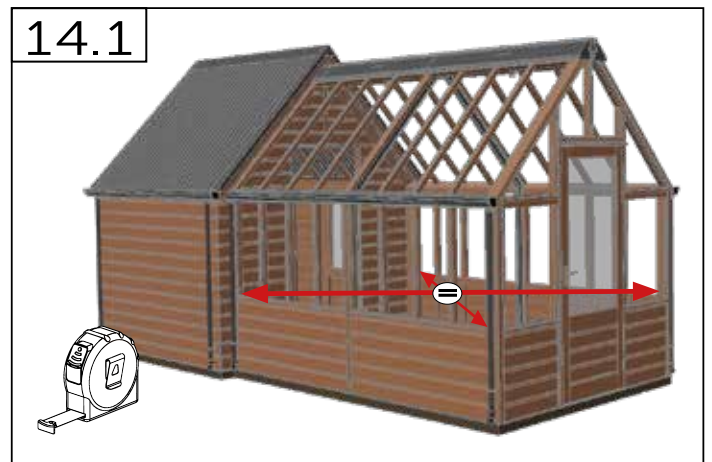
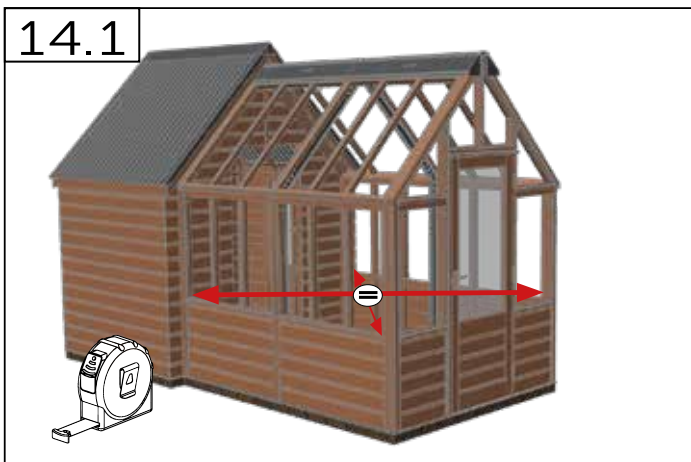
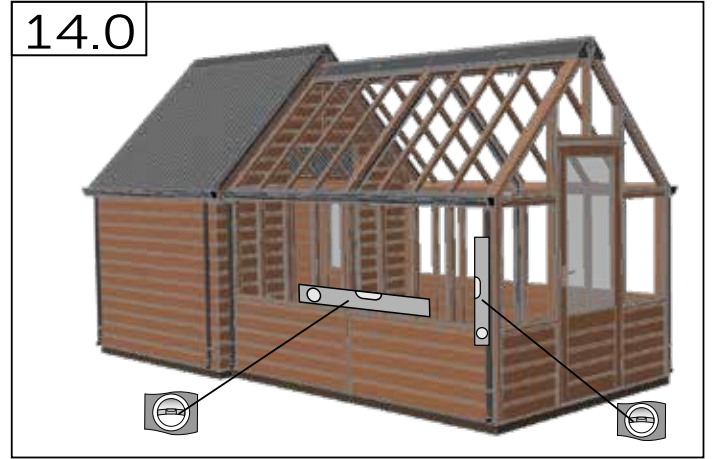
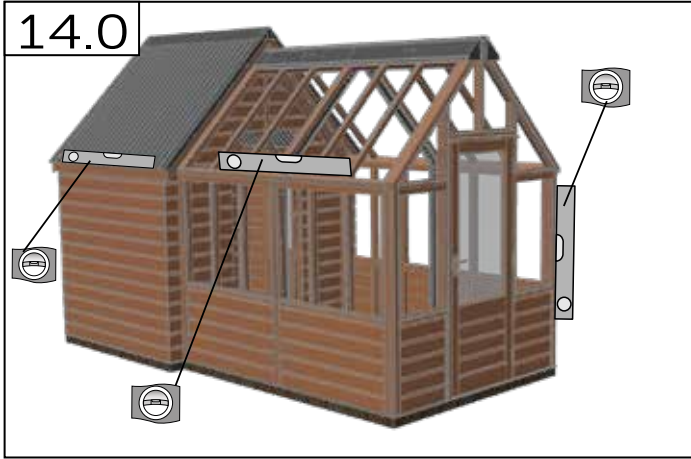


12.12

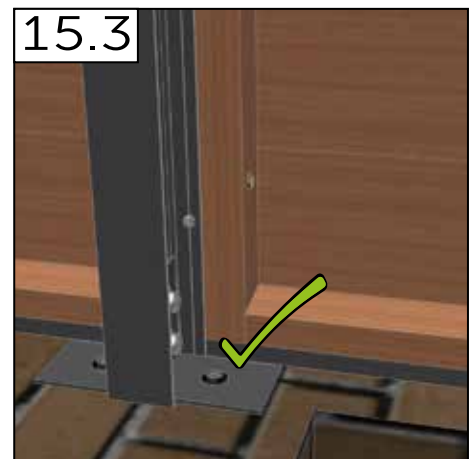
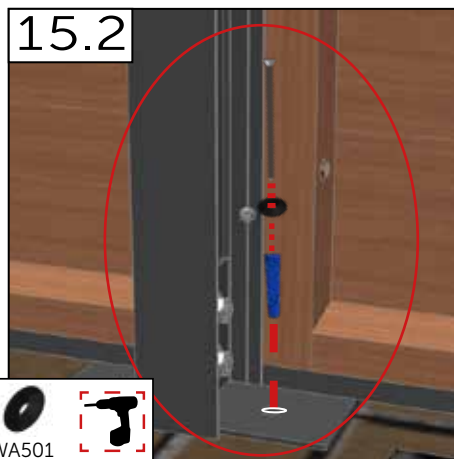
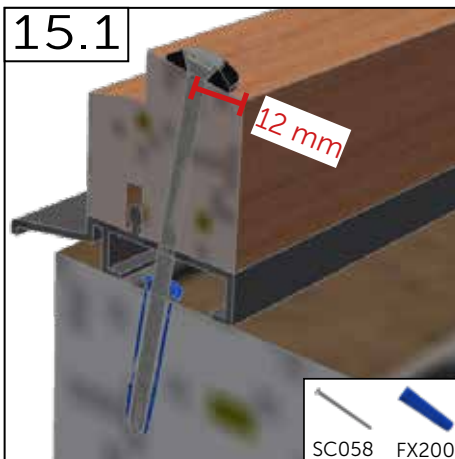
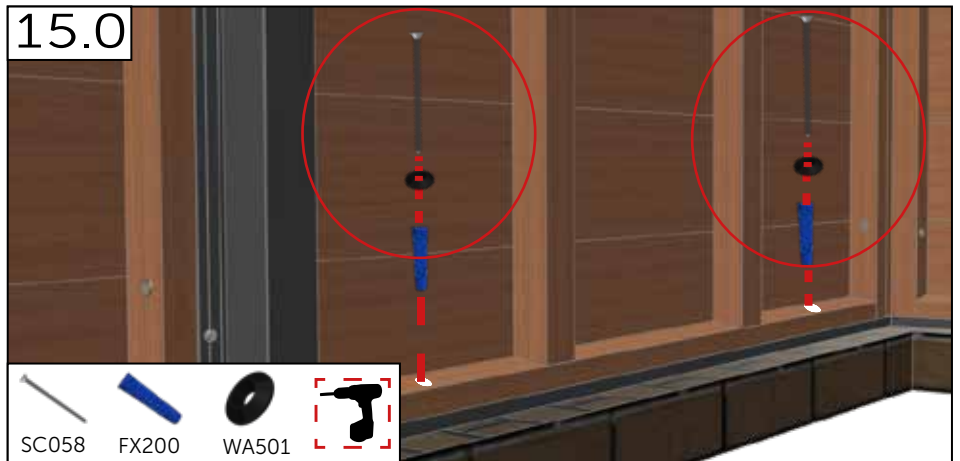




Securing - Sikring - Sicherung - Säkra - Sécurisation - Beveiligen
 - Zabezpieczanie - Sikring - Asegurar

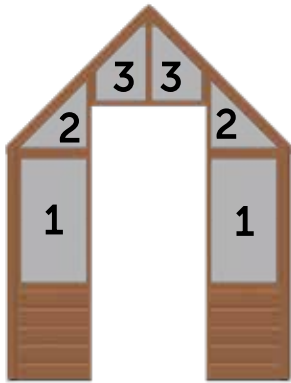


	#	mm
	SC058	4.8 x 100
	WA501	18 x 53
	FX200	8 x 40



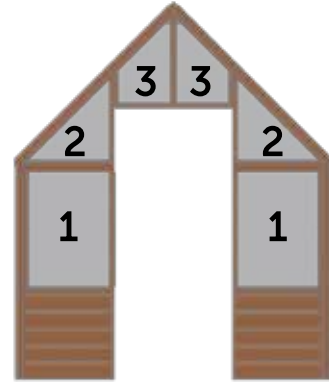
16.0

RHS Combi Shed
 'Rosemoor'



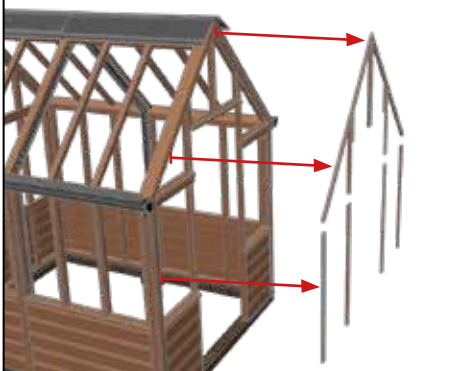
- 1. 0469 x 0870
- 2. 0484 x 0484
- 3. 0359 x 0570

RHS Combi Shed
 'Hyde Hall'

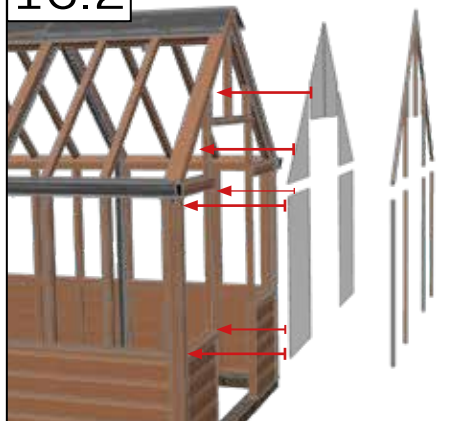


- 1. 0611 x 0870
- 2. 0626 x 0626
- 3. 0399 x 0652

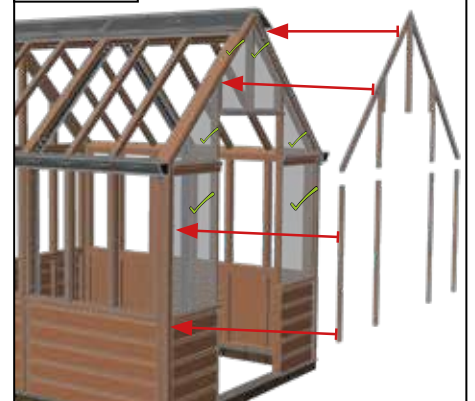
16.1



16.2

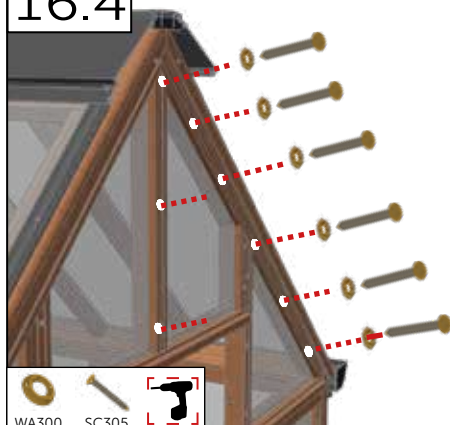


16.3

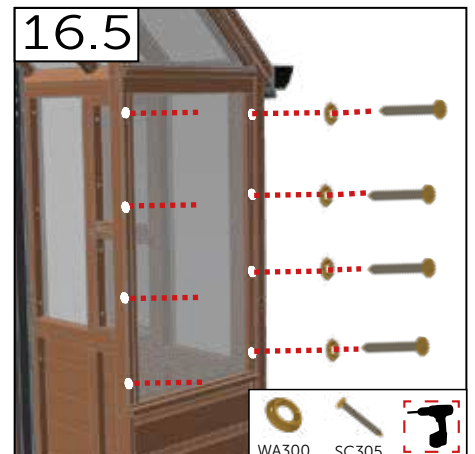


	#	mm
	GLASS	-
	A AL2009	-
	SC125	4.2 x 25
	SC305	3.5 x 32
	WA300	No. 6

16.4



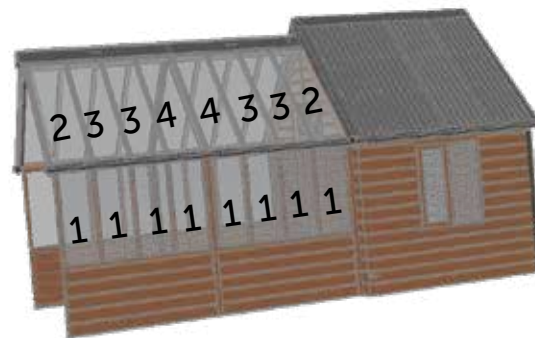
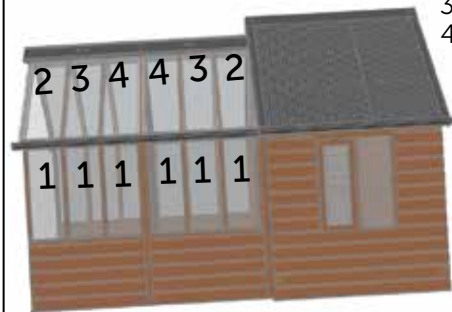
16.5



17.0

RHS Combi
 'Rosemoor'

1. 0335 x 0870
2. 0405 x 1201
3. 0345 x 1201
4. 0373 x 1201



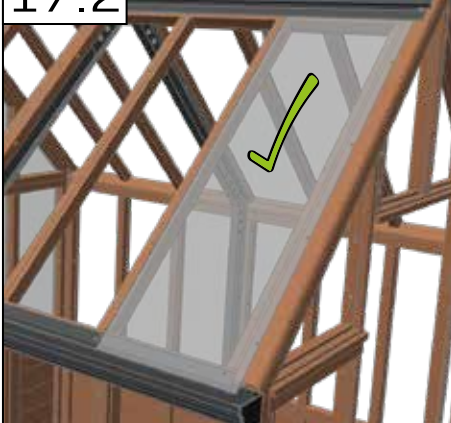
RHS Combi
 'Hyde Hall'

1. 0335 x 0870
2. 0405 x 1459
3. 0345 x 1459
4. 0373 x 1459

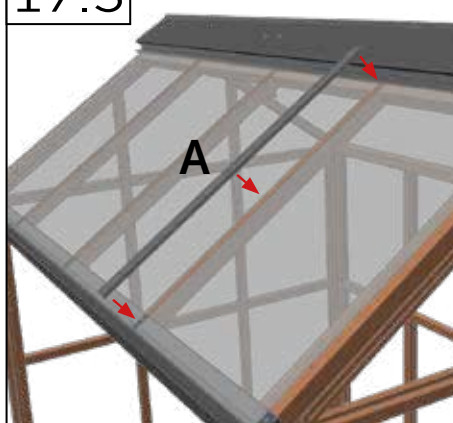
17.1



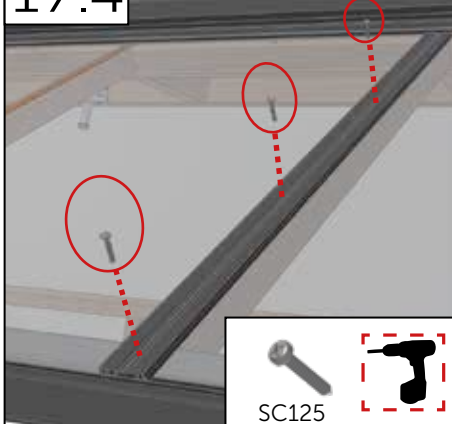
17.2



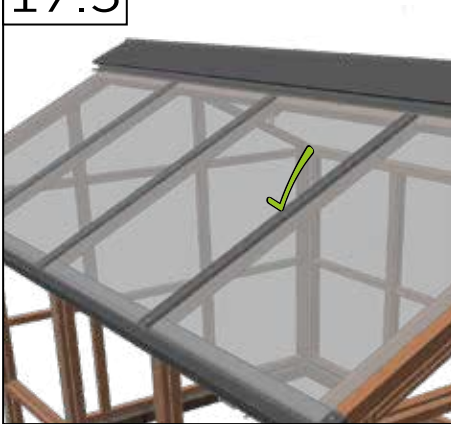
17.3



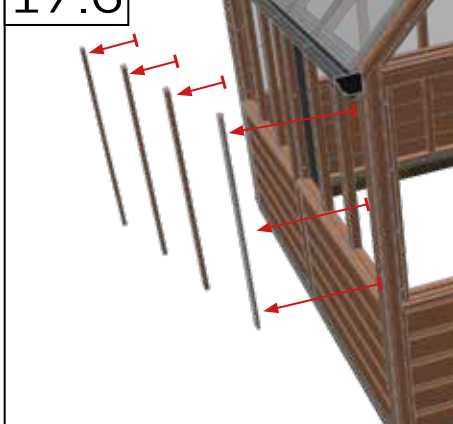
17.4



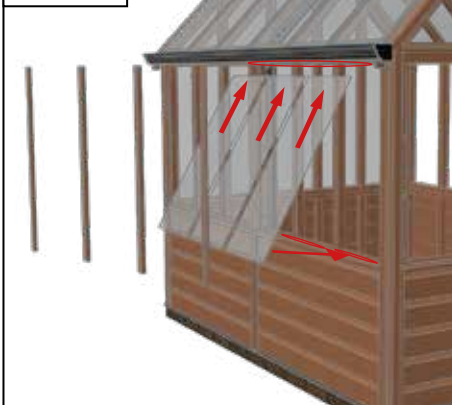
17.5



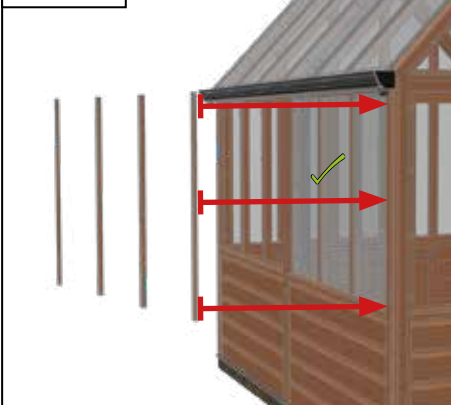
17.6



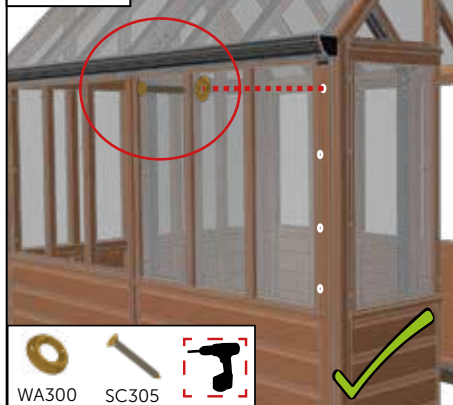
17.7



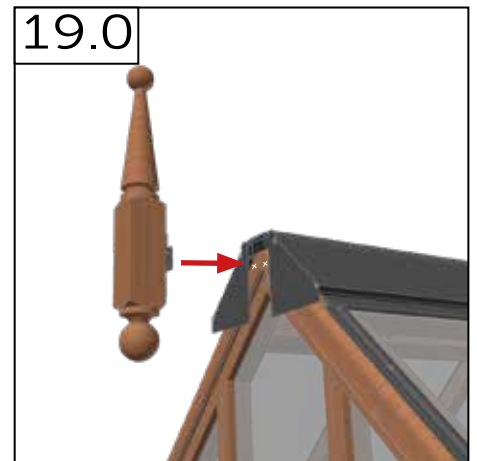
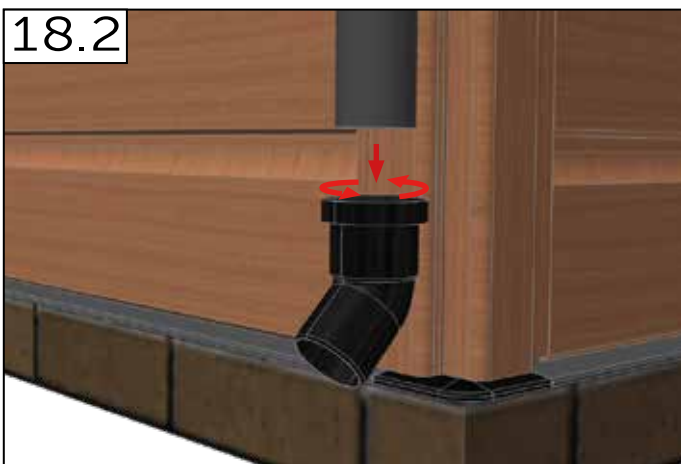
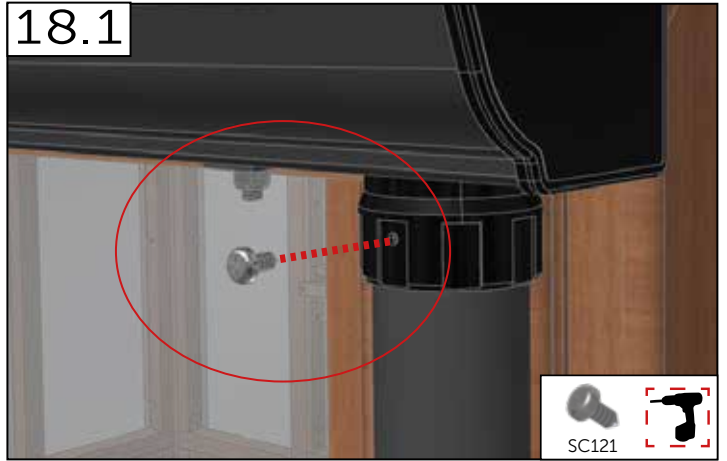
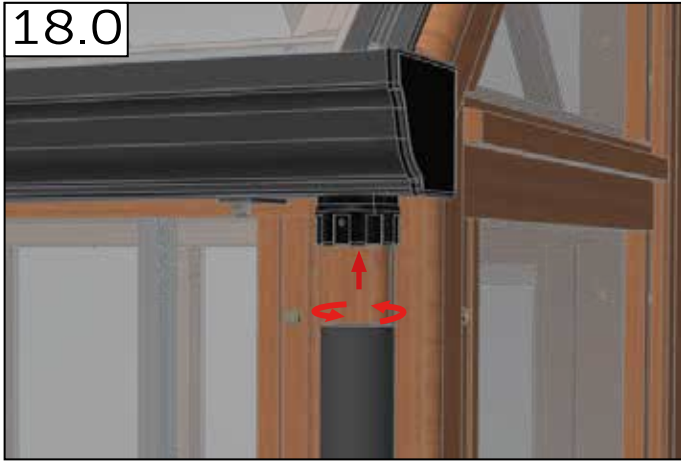
17.8



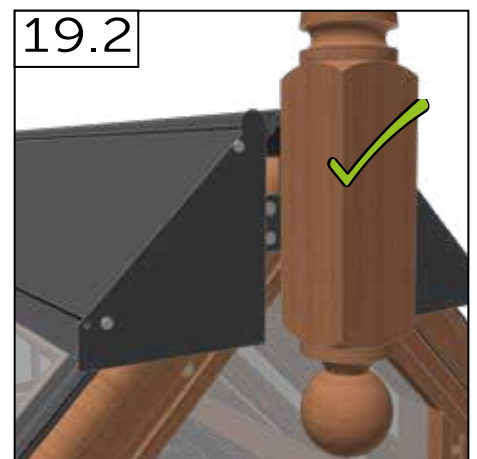
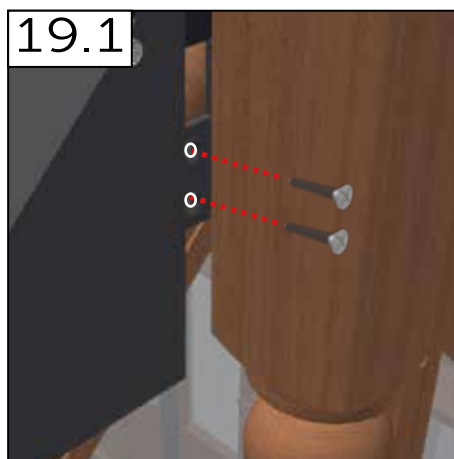
17.9



Finishing - Finition - Efterbehandling - Abschluss - Etterbehandling
 - Refinamiento - Efterbehandling



	#	mm
	SC121	4.2 x 9.5
	SC125	4.2 x 25
	SC024	4.2 x 38
	AL2016	1447
	PT201	-
	PT203	-
	W491	-





G A B R I E L A S H

www.gabrielash.com

As part of our policy of continuous development and improvement.
We reserve the right to modify any of the information set out within this document and any related
documentation at any time without notice.

This product is delivered by a company in the Juliana Group - www.juliana.com

®The Royal Horticultural Society. The Royal Horticultural Society, and its logo, are trade marks of The Royal
Horticultural Society.

(Registered Charity No. 222879/SC038262) and used under licence from RHS Enterprises Limited.