

# Installation Guide



GABRIEL ASH

RHS 'Rosemoor'



RHS 'Hyde Hall'



RHS 'Wisley'










RHS 'Harlow Carr'

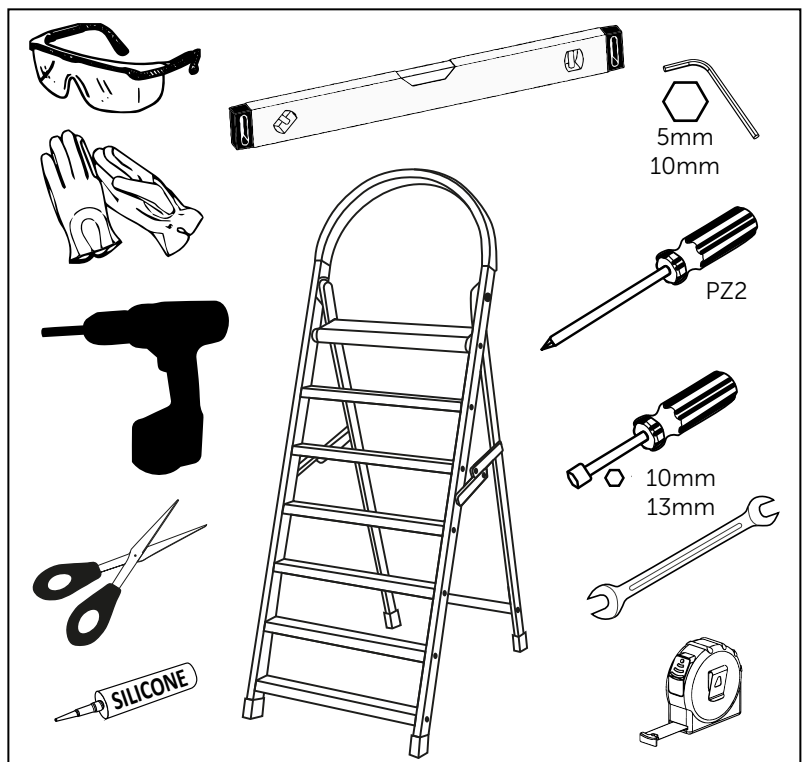
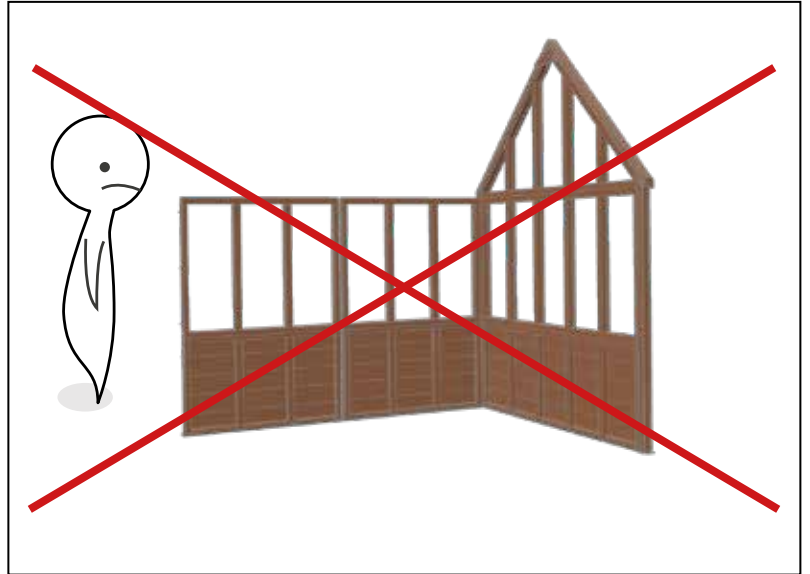


RHS

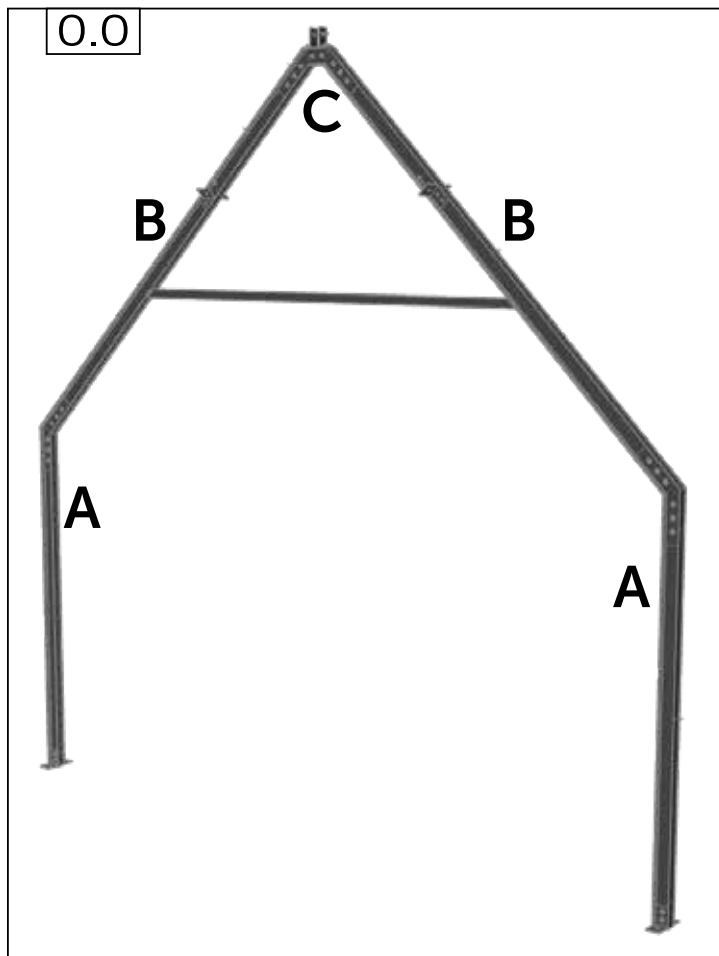
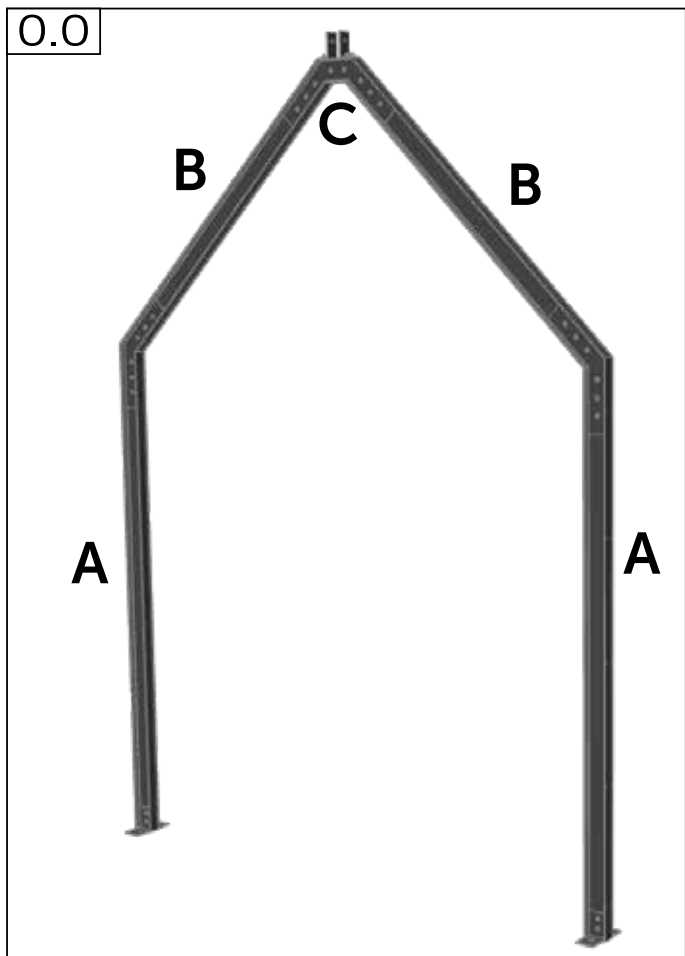


Overview - Oversigt - Übersicht - Översikt - Détails -  
 Overzicht - Sisällys - Zawartość - Oversikt - Visión general

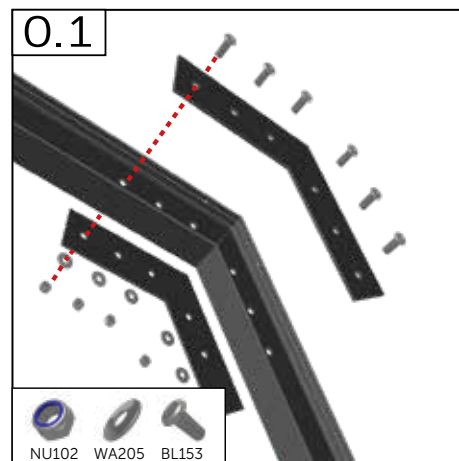
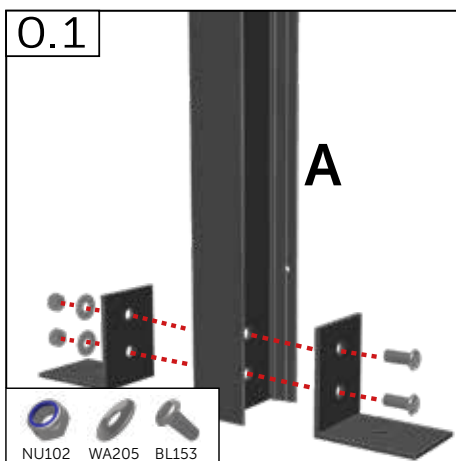
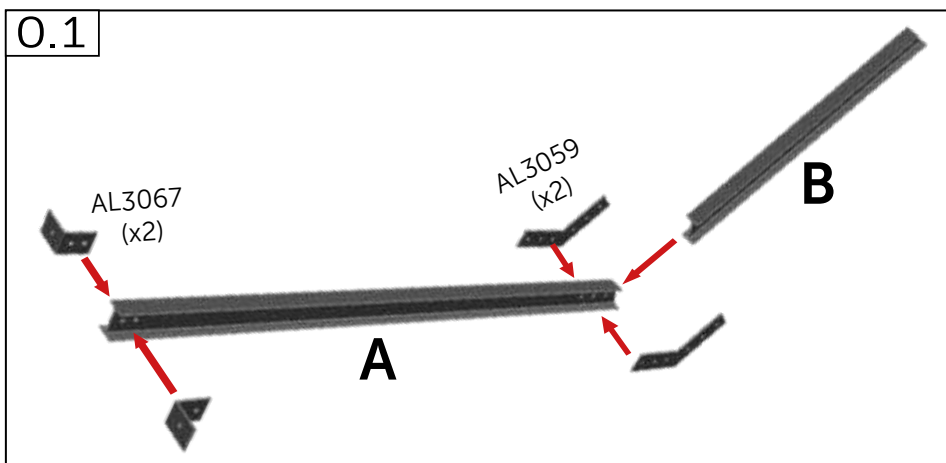
	
	4 - 6
	7 - 11
	12 - 15
	16 - 23
	24 - 27
	28 - 31
	32 - 35
	36
	37 - 38
	39



Portal Frame - Portalramme - Portalrahmen - Portal ram - Portique - Portaal frame -  
 Portaalin kehys - Rama portalu - Portalramme - Marco del pórtico

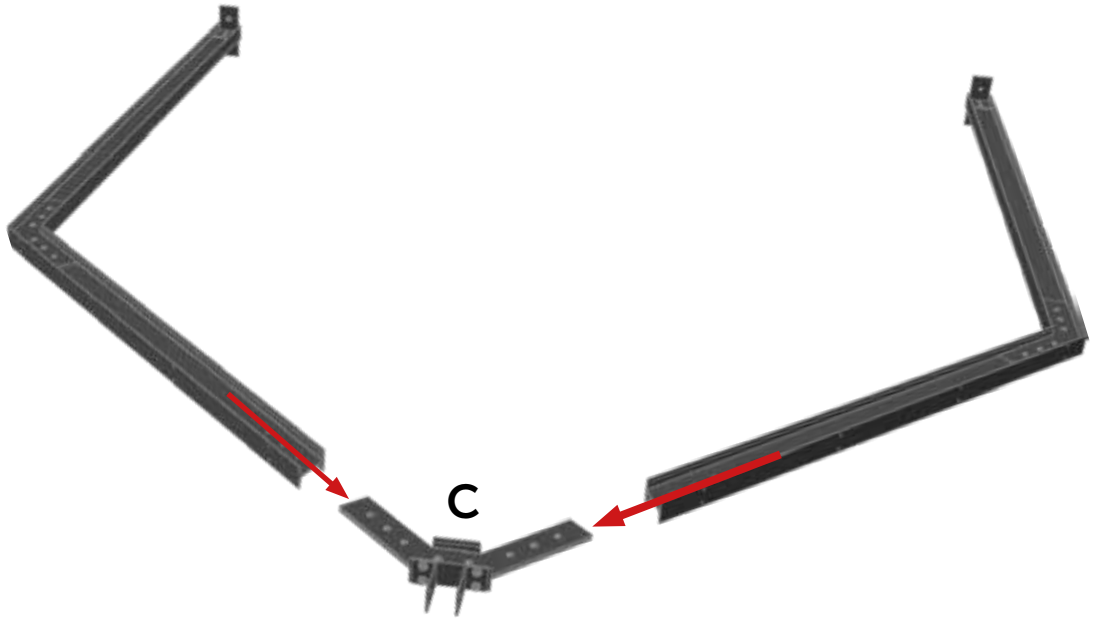


	#	mm
	AL3067	-
	AL3060	-
	AL3059	-
	A AL2018	1559
	B AL2018	0851
	B AL2018	1199
	B AL2018	1596
	B AL2018	1894
	C AL3071	0341
	BL153	M8 x 20
	WA205	M8
	NU102	M8

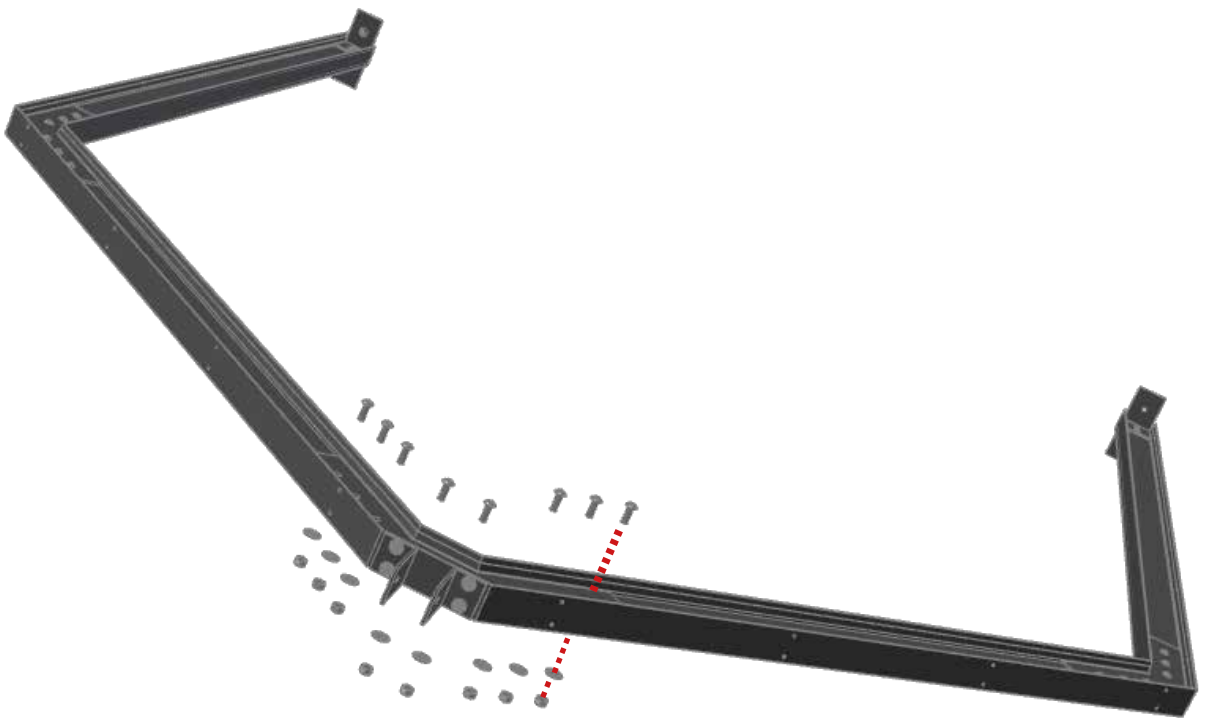




0.2



0.3

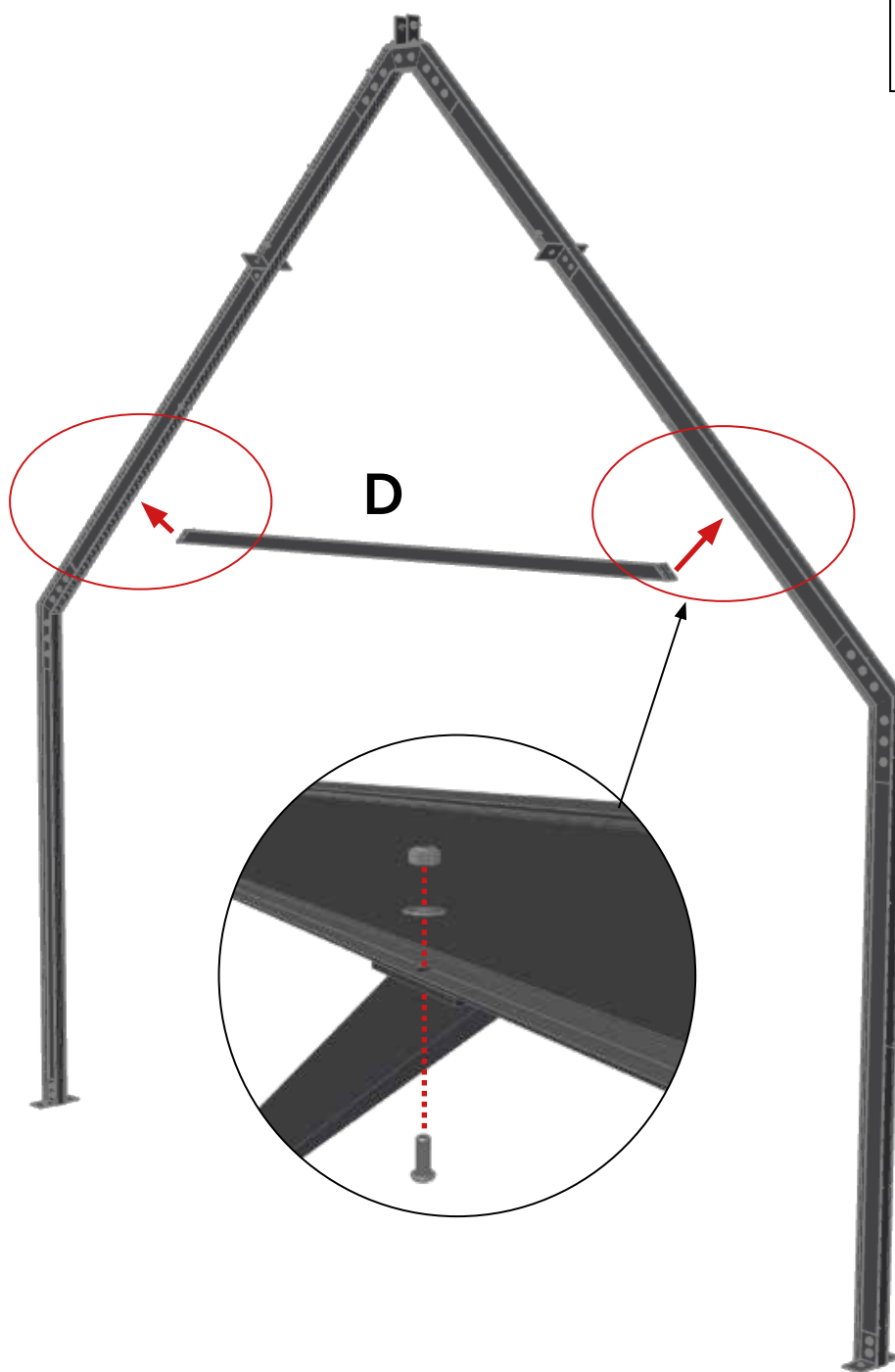



0.4



(Harlow Carr Only) Portal Frame - Portalramme - Portalrahmen - Portal ram - Portique -  
 Portaal frame - Portaalin kehys - Rama portalu - Portalramme - Marco del pórtico

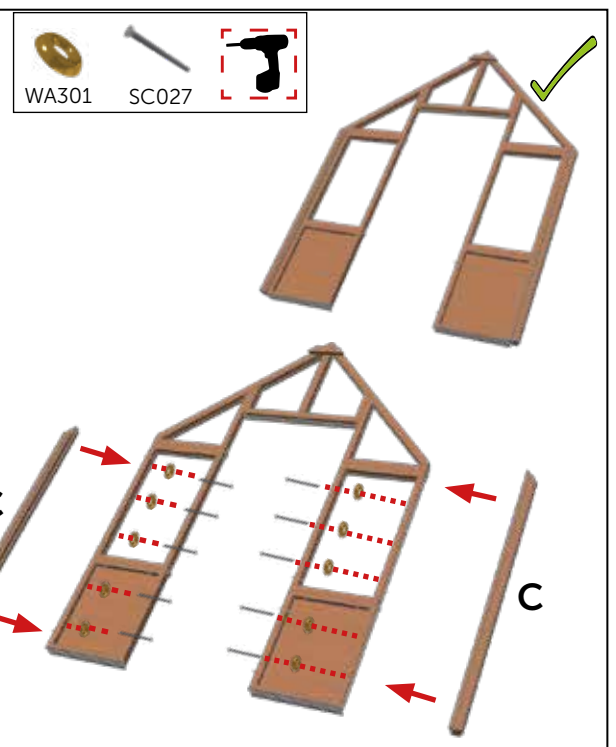
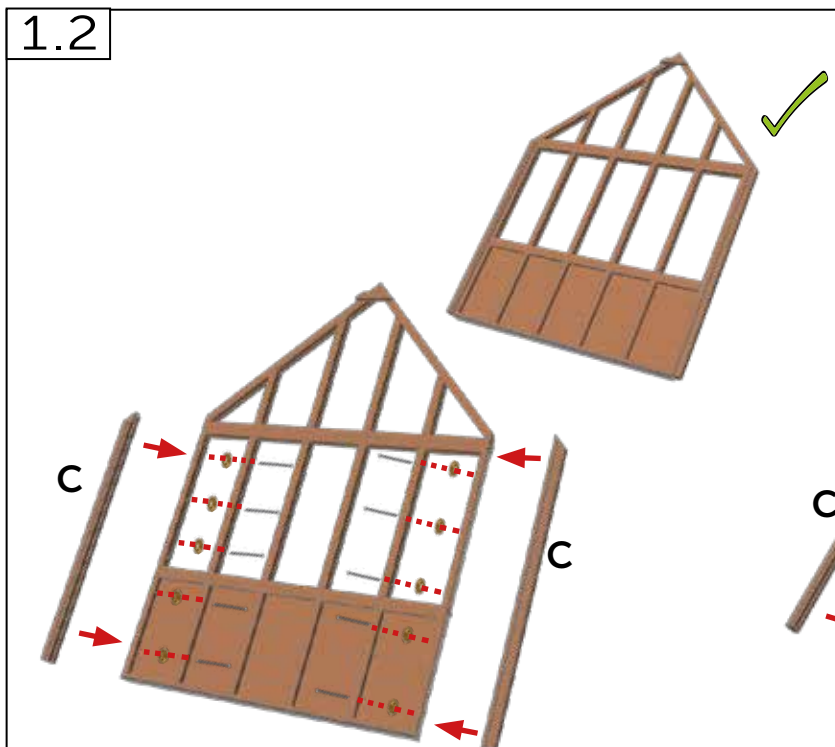
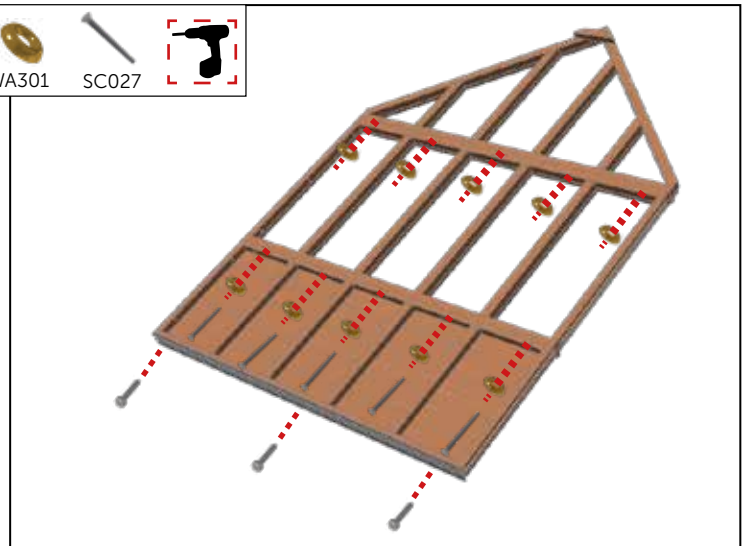
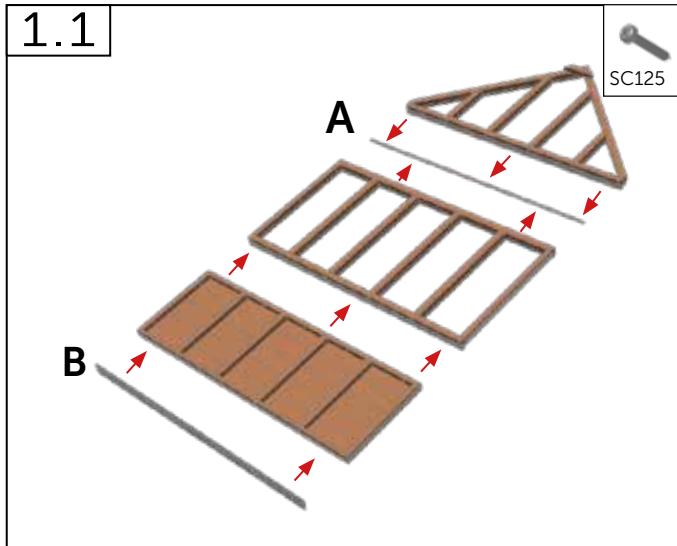
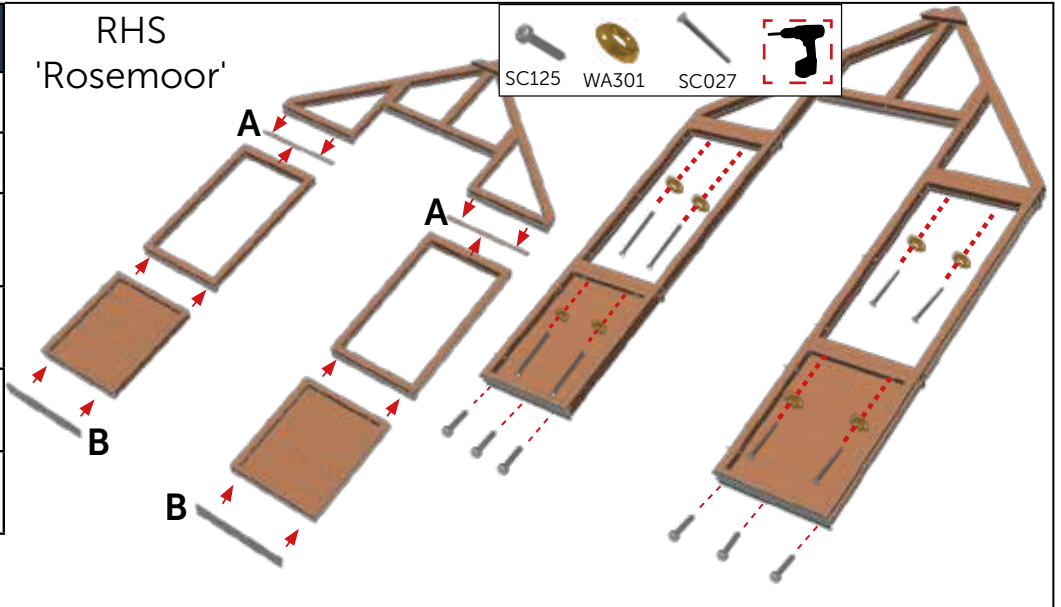
0.5



	#	mm
	D AL3086	1973
	BL122	M6 x 16
	WA106	M6
	NU101	M6

Gables - Gavle - Giebel - Gavlar - Pignons - Gevels - Päädyt - ściana szczytowa - Gavler - Aguilones

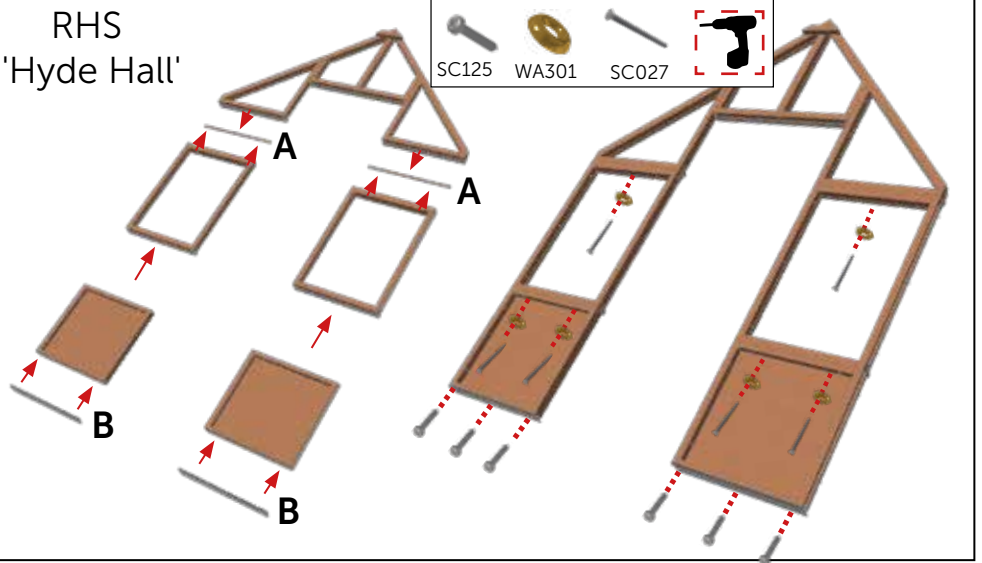
1.0	#	mm
	SC027	4.2 x 65
	SC301	No. 8
	A W900	-
	B AL2004	-
	SC125	4.2 x 25
	C W165	-



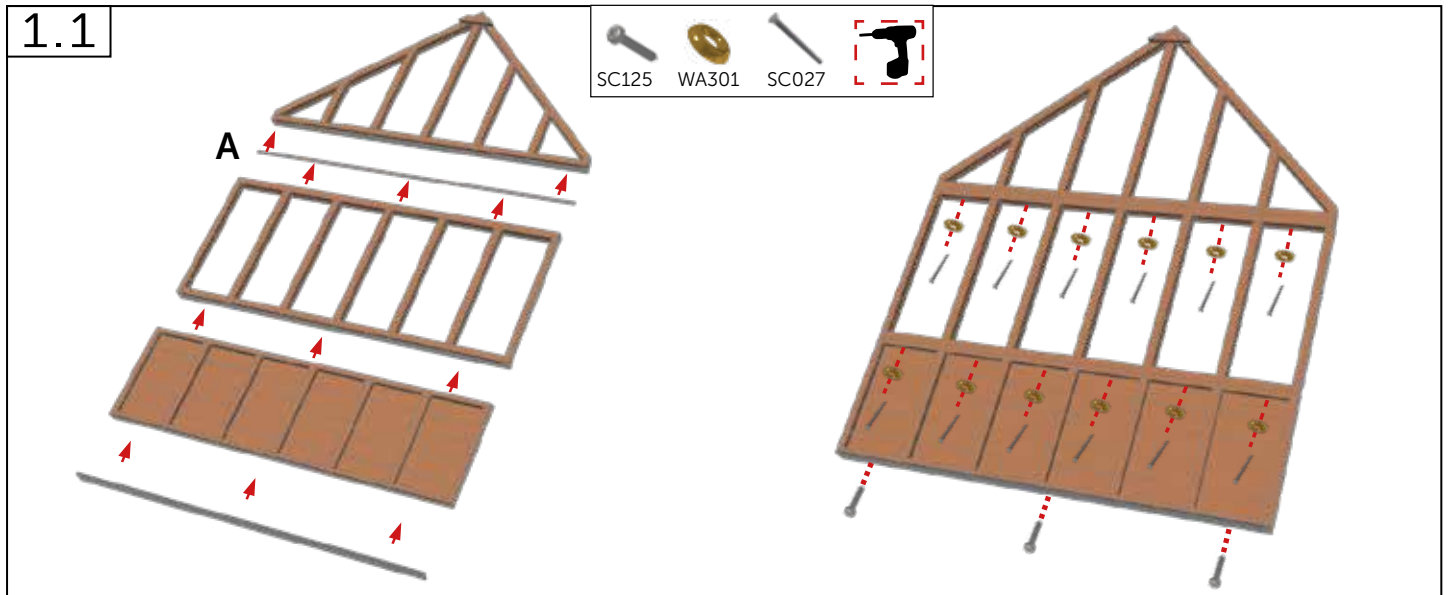
# Gables - Gavle - Giebel - Gavlar - Pignons - Gevels - Päädyt - ściana szczytowa - Gavler - Aguilones

1.0	#	mm
	SC027	4.2 x 65
	SC301	No. 8
	A W900	-
	B AL2004	-
	SC125	4.2 x 25
	C W165	-

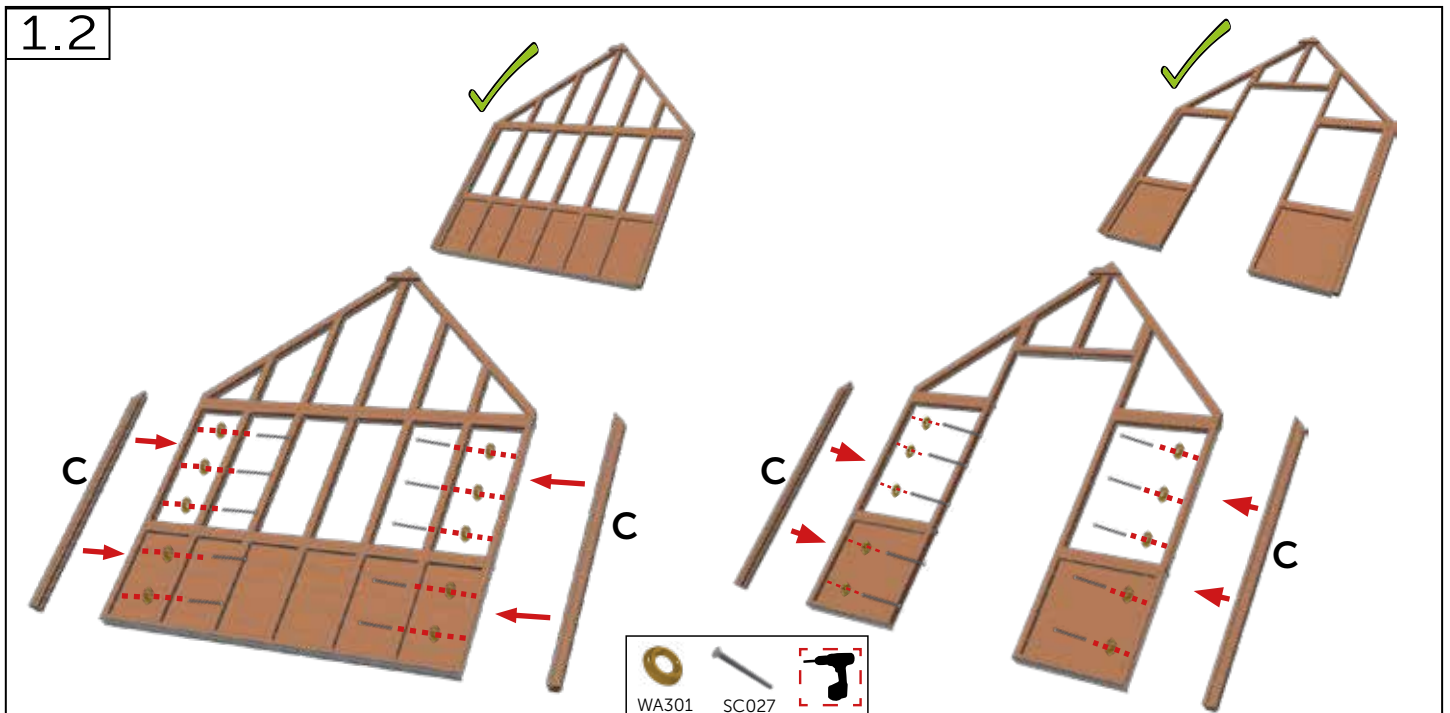
RHS  
'Hyde Hall'



1.1



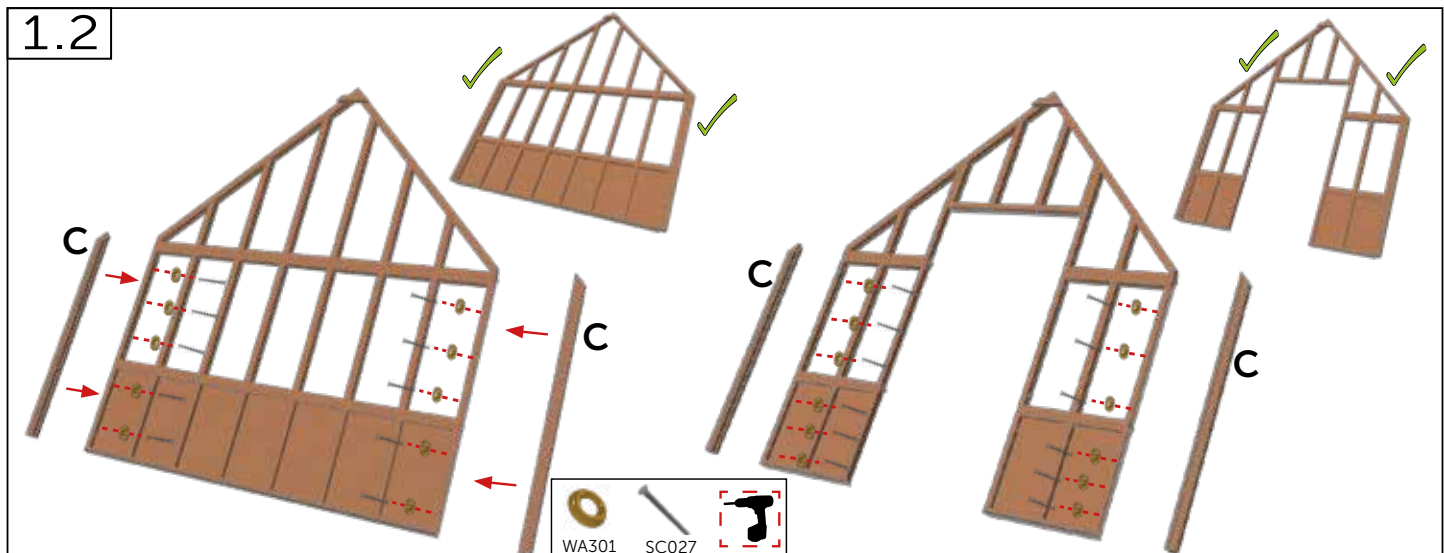
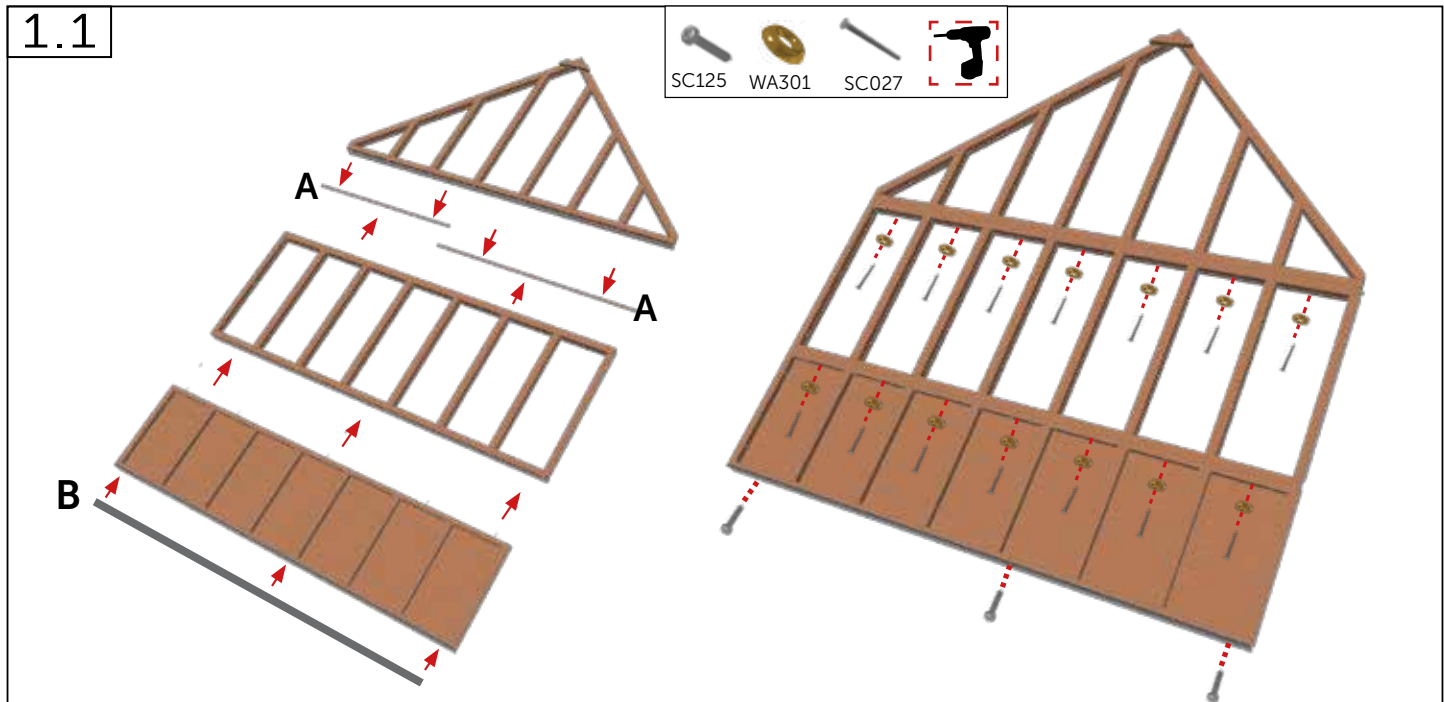
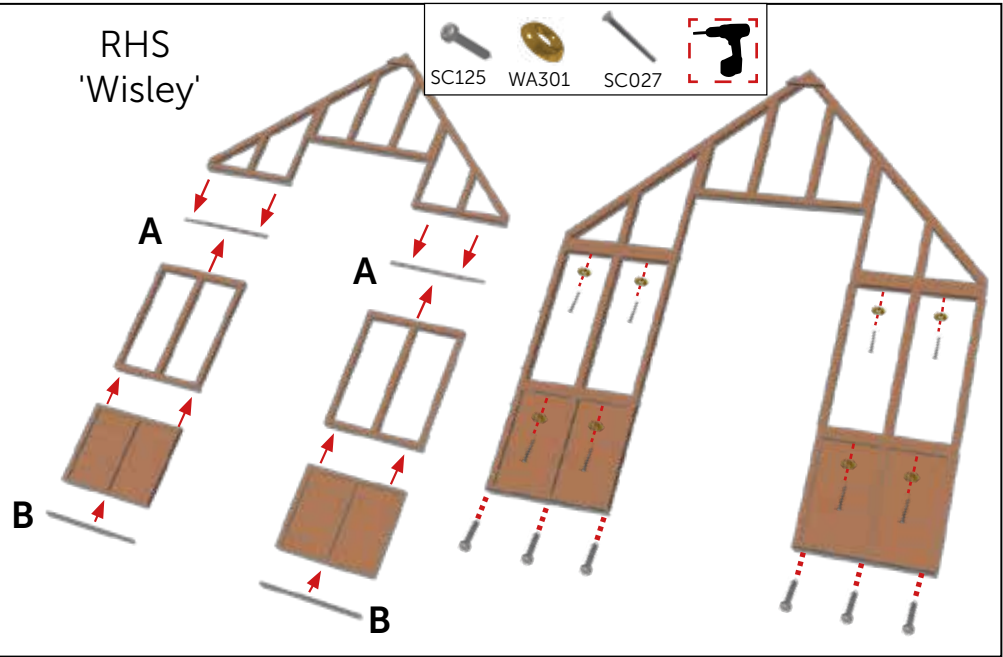
1.2












Gables - Gavle - Giebel - Gavlar - Pignons - Gevels - Päädýt - ściana szczytowa - Gavler - Aguilones

1.0	#	mm
	SC027	4.2 x 65
	SC301	No. 8
	A W900	-
	B AL2004	-
	SC125	4.2 x 25
	C W165	-

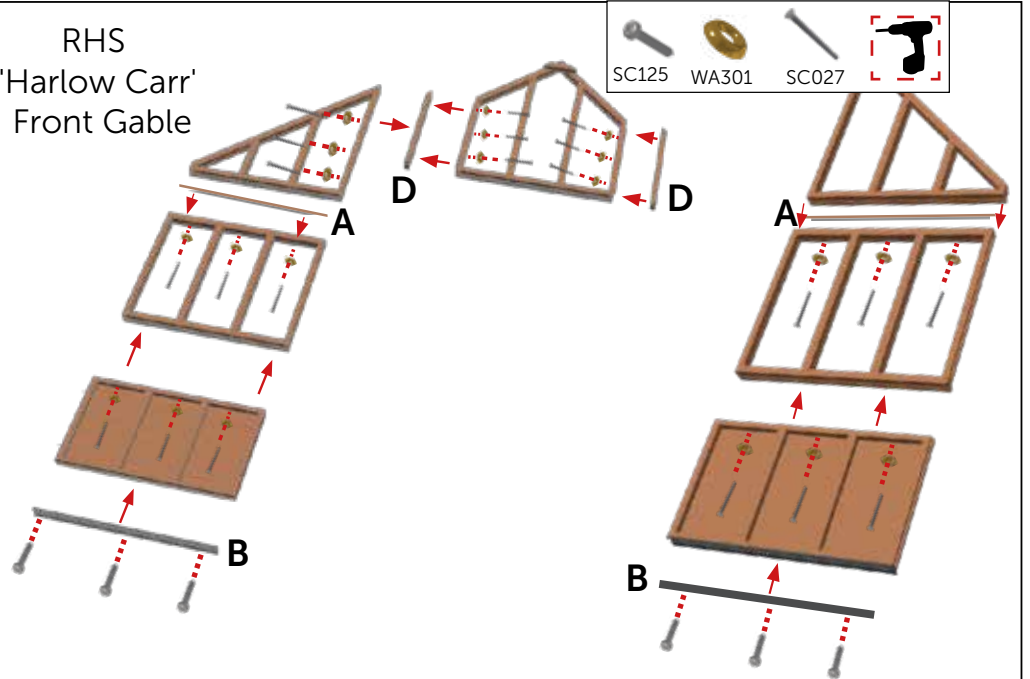




# Gables - Gavle - Giebel - Gavlar - Pignons - Gevels - Päädýt - ściana szczytowa - Gavler - Aguilones

1.0	#	mm
	SC027	4.2 x 65
	SC301	No. 8
	A W900	-
	B AL2004	-
	SC125	4.2 x 25
	C W165	-
	D W135	-

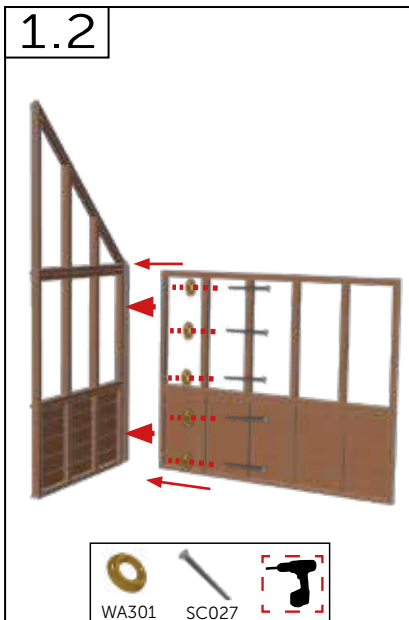
RHS  
'Harlow Carr'  
Front Gable



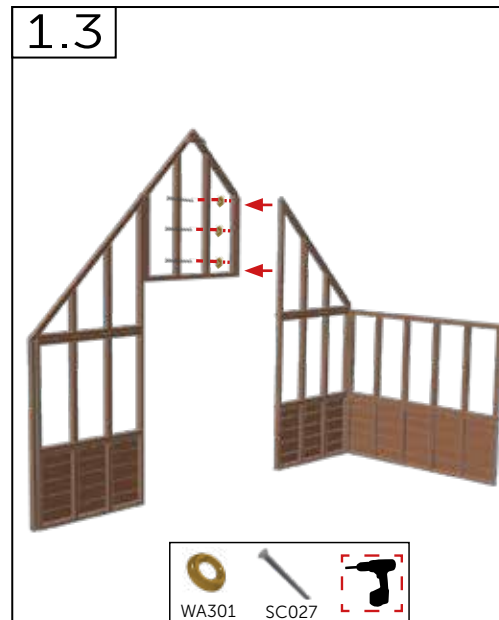
## 1.1



## 1.2










## 1.3

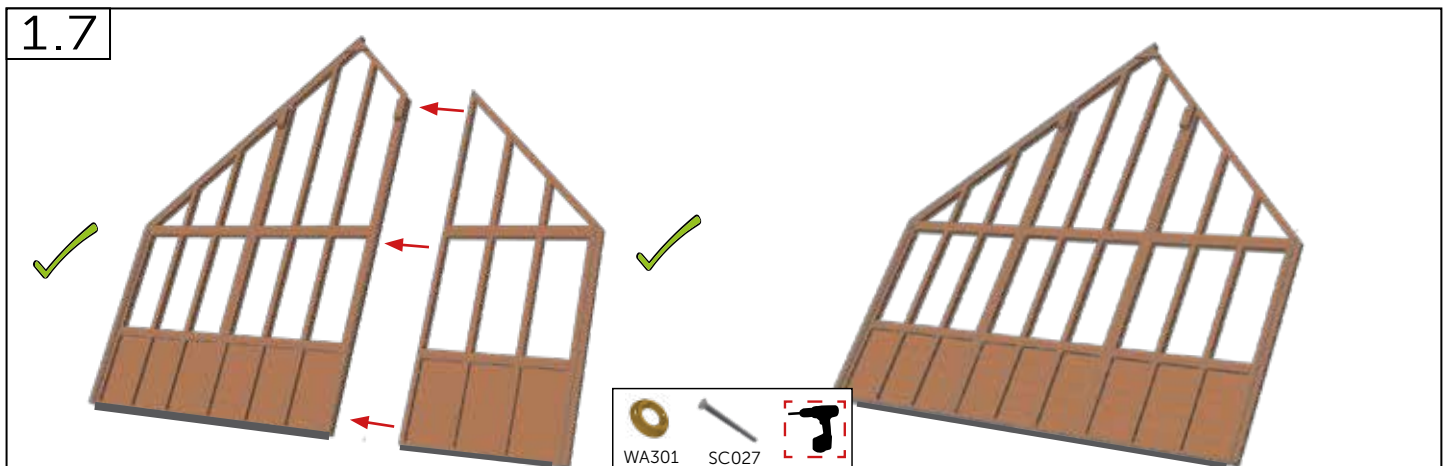
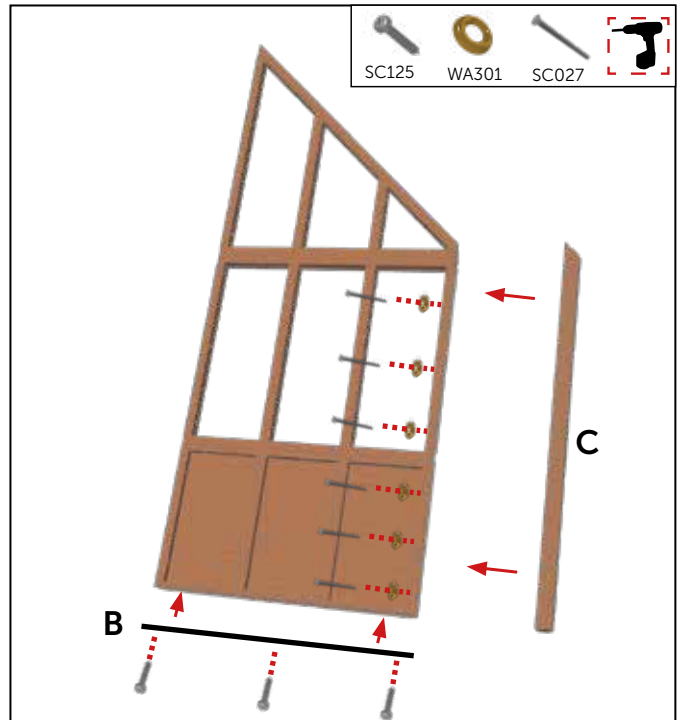
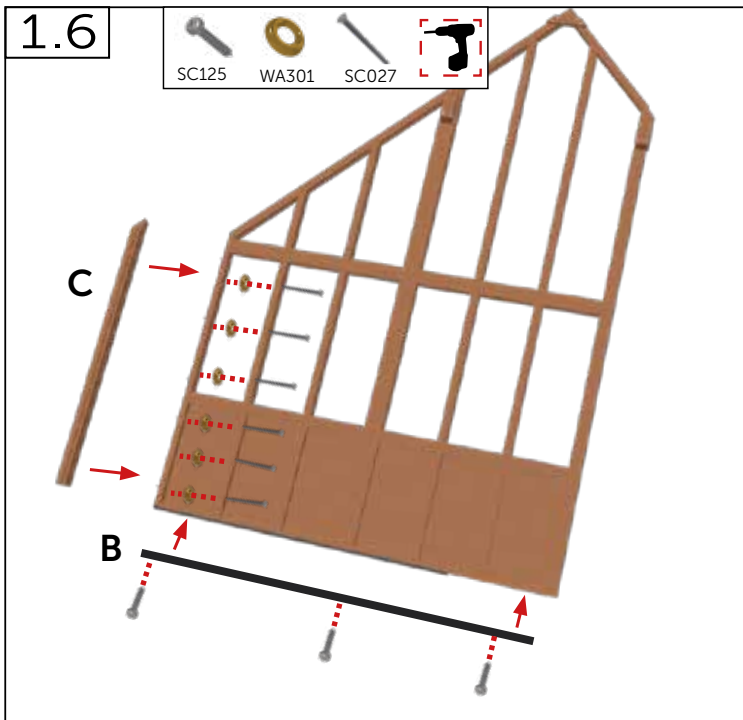
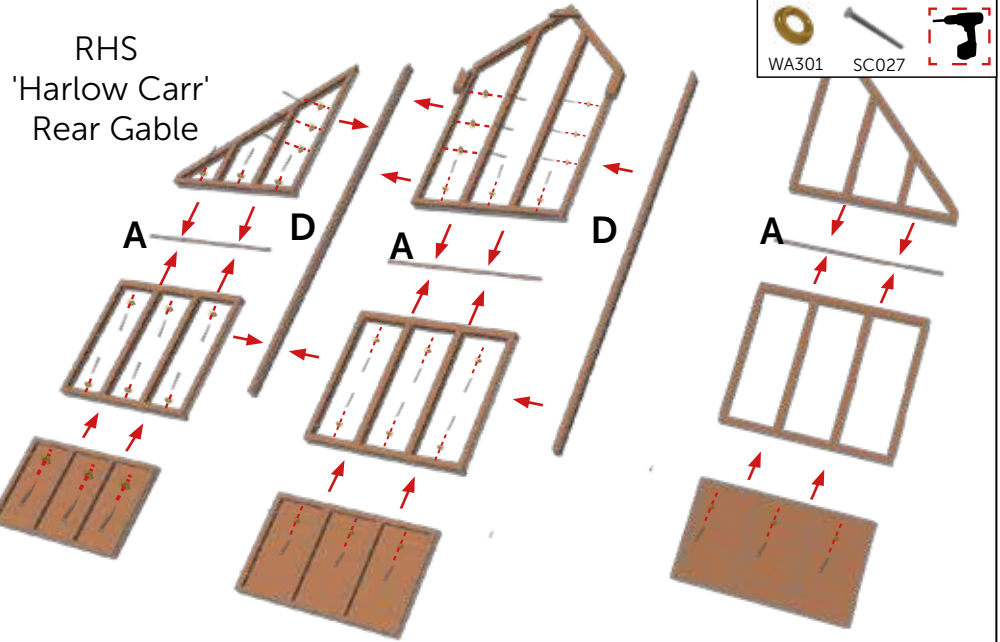


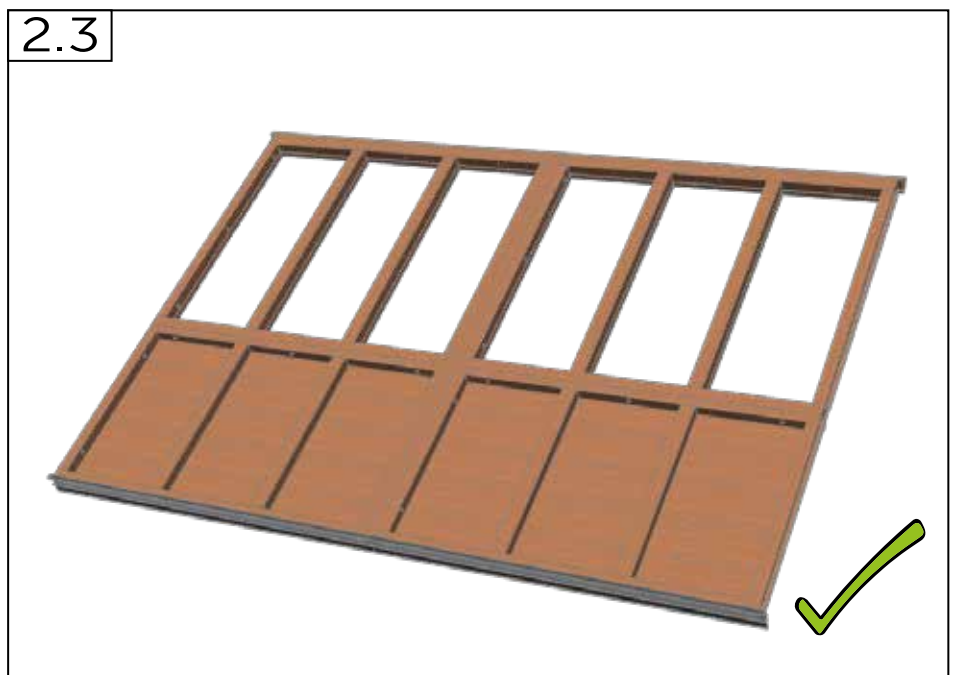
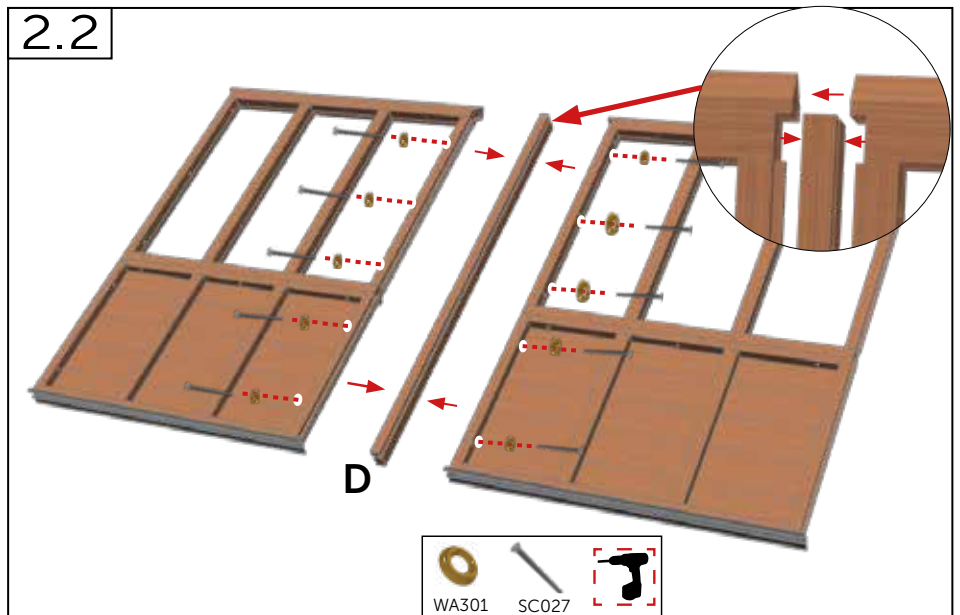
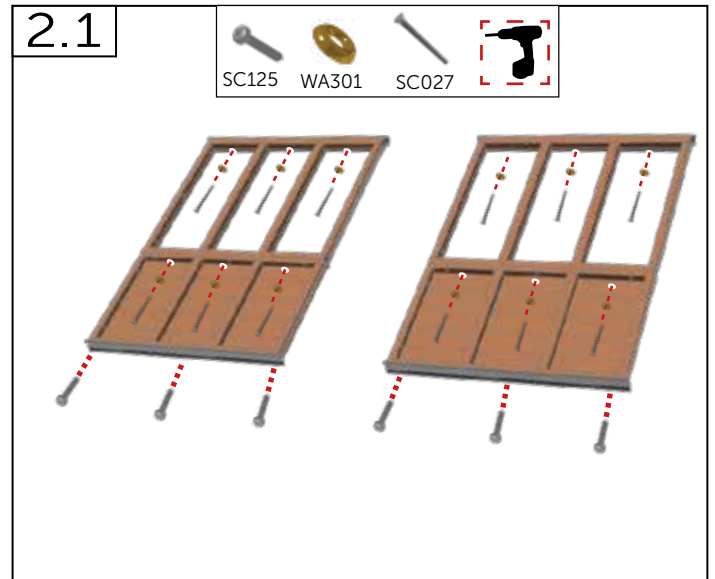
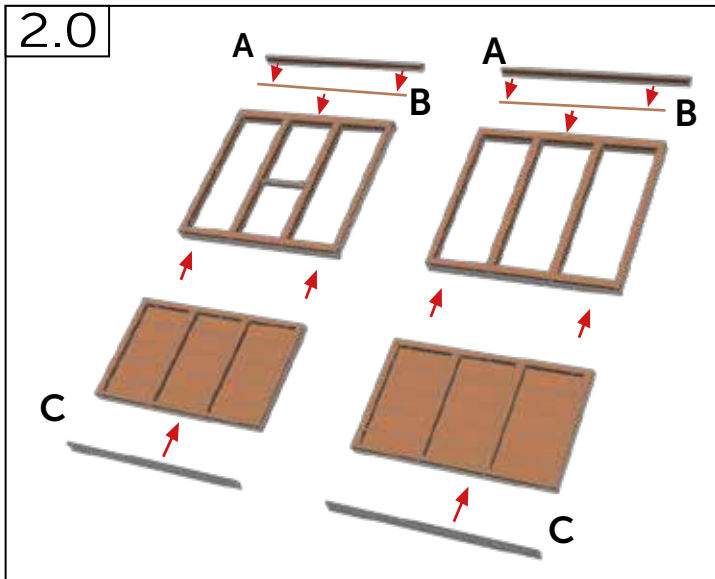
## 1.4










Gables - Gavle - Giebel - Gavlar - Pignons - Gevels - Päädyt - ściana szczytowa - Gavler - Aguilones

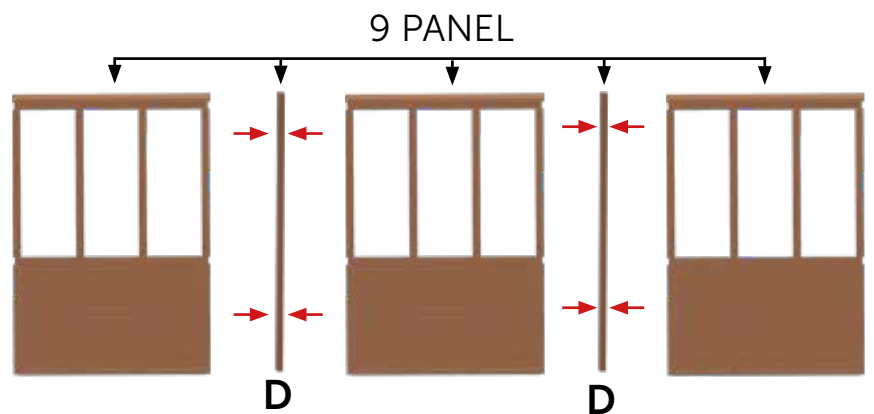
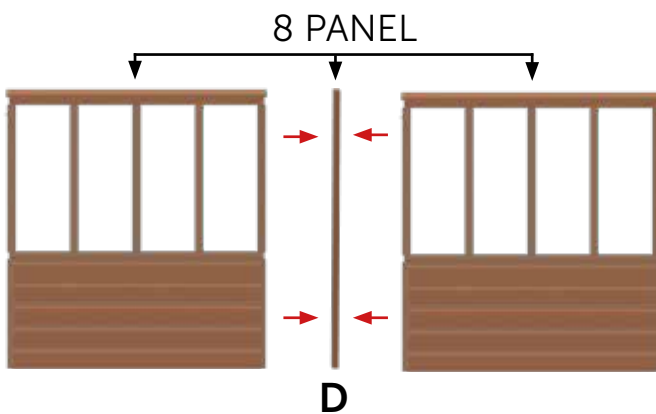
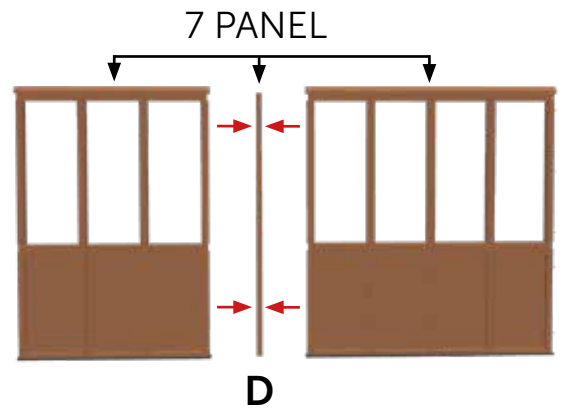
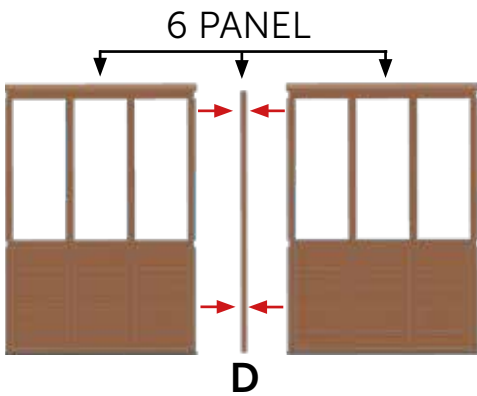
	#	mm
	SC027	4.2 x 65
	SC301	No. 8
	A W900	-
	B AL2004	-
	SC125	4.2 x 25
	C W165	-
	D W135	-







	#	mm
	SC027	4.2 x 65
	SC301	No. 8
	A W130	-
	B W900	-
	C AL2004	-
	D W135	-
	SC125	4.2 x 25

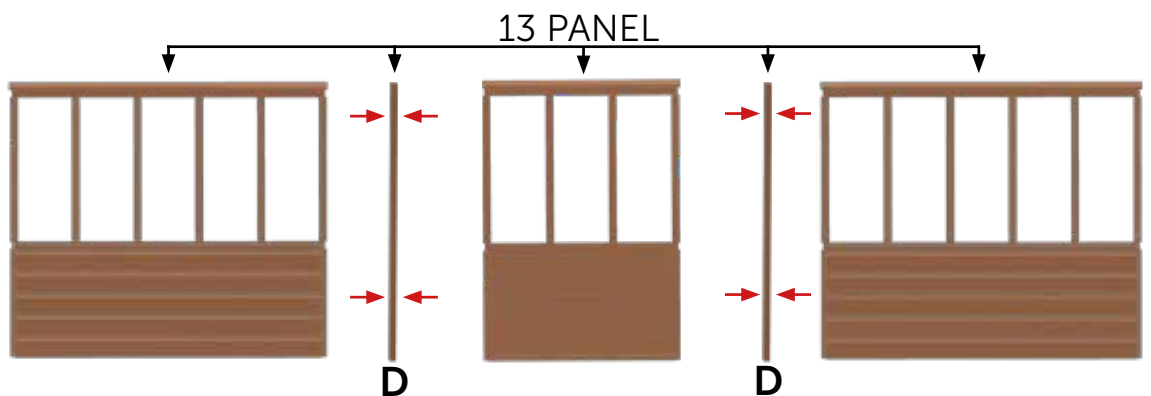
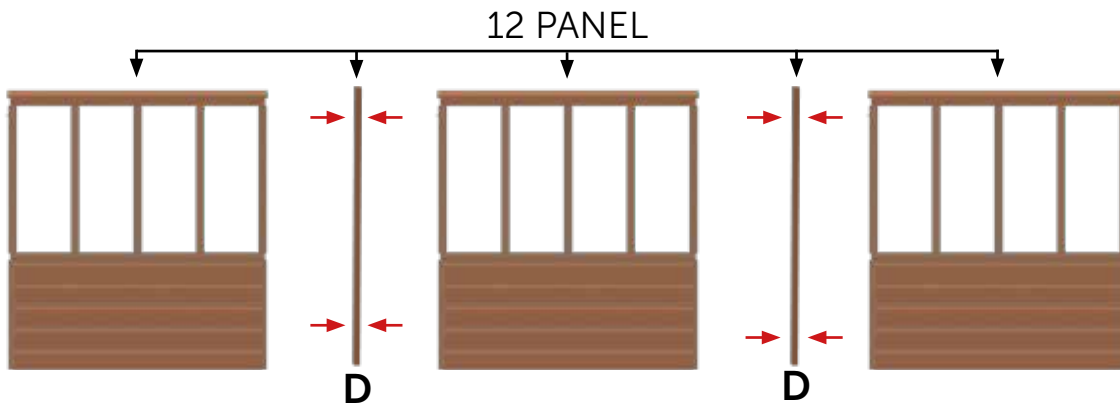
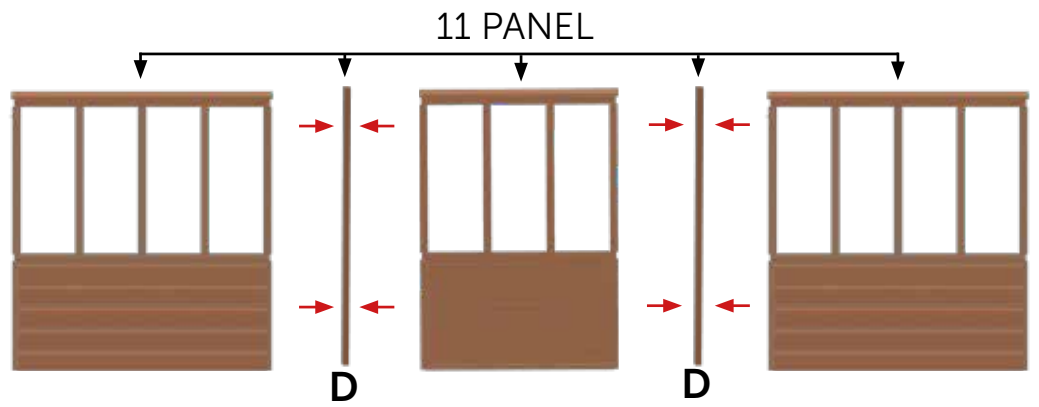
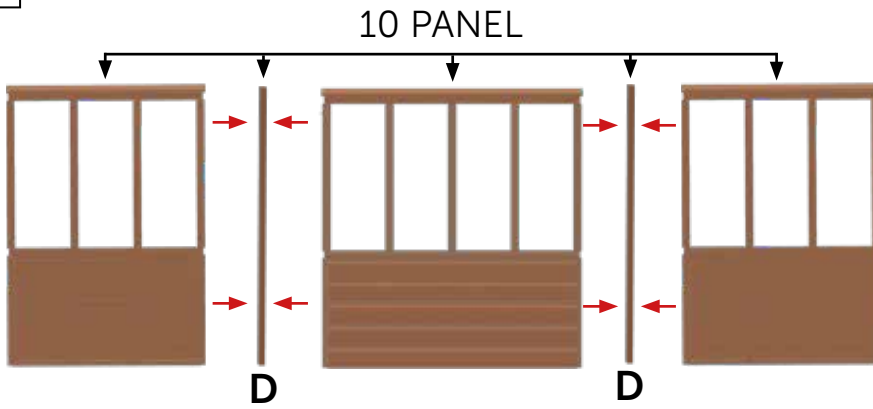
2.0



	#	mm
	D W135	-

2.0

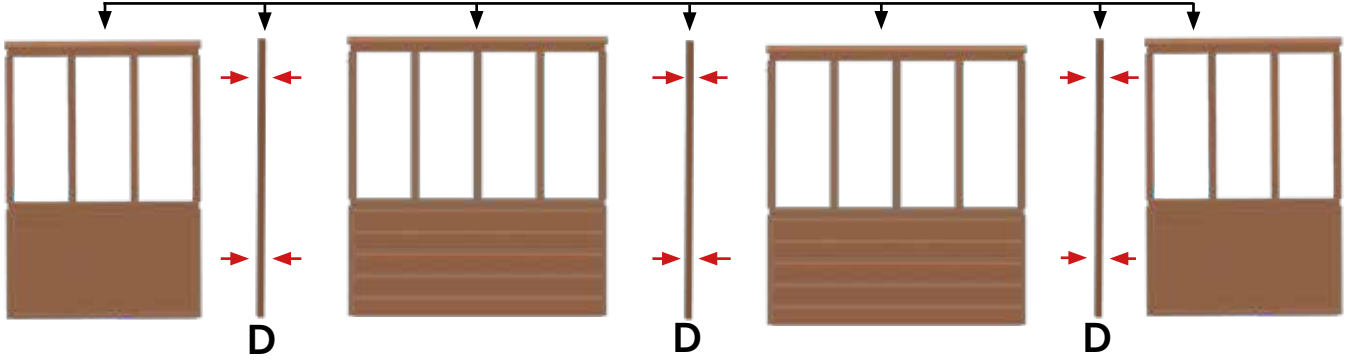
	#	mm
	D W135	-



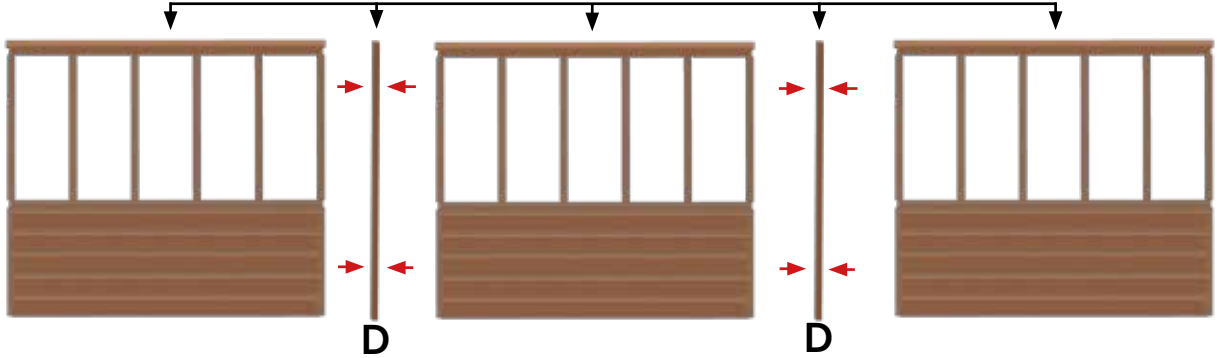


2.0

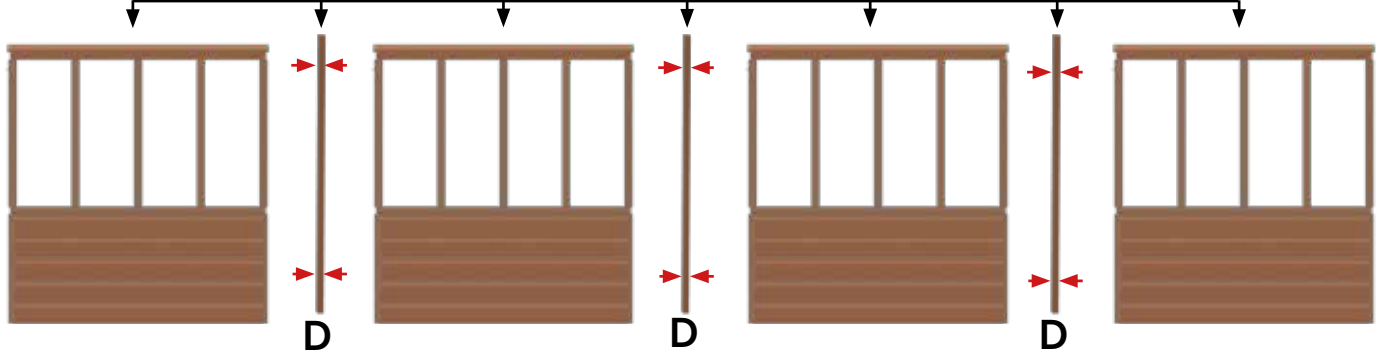
14 PANEL




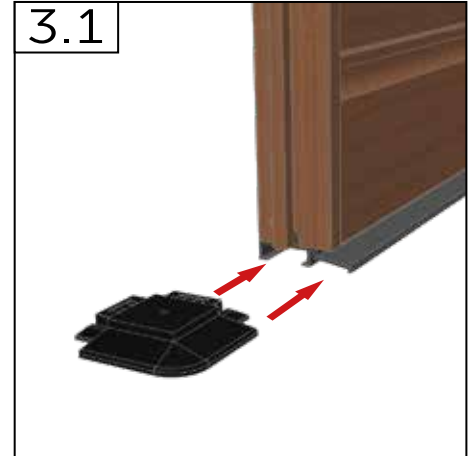
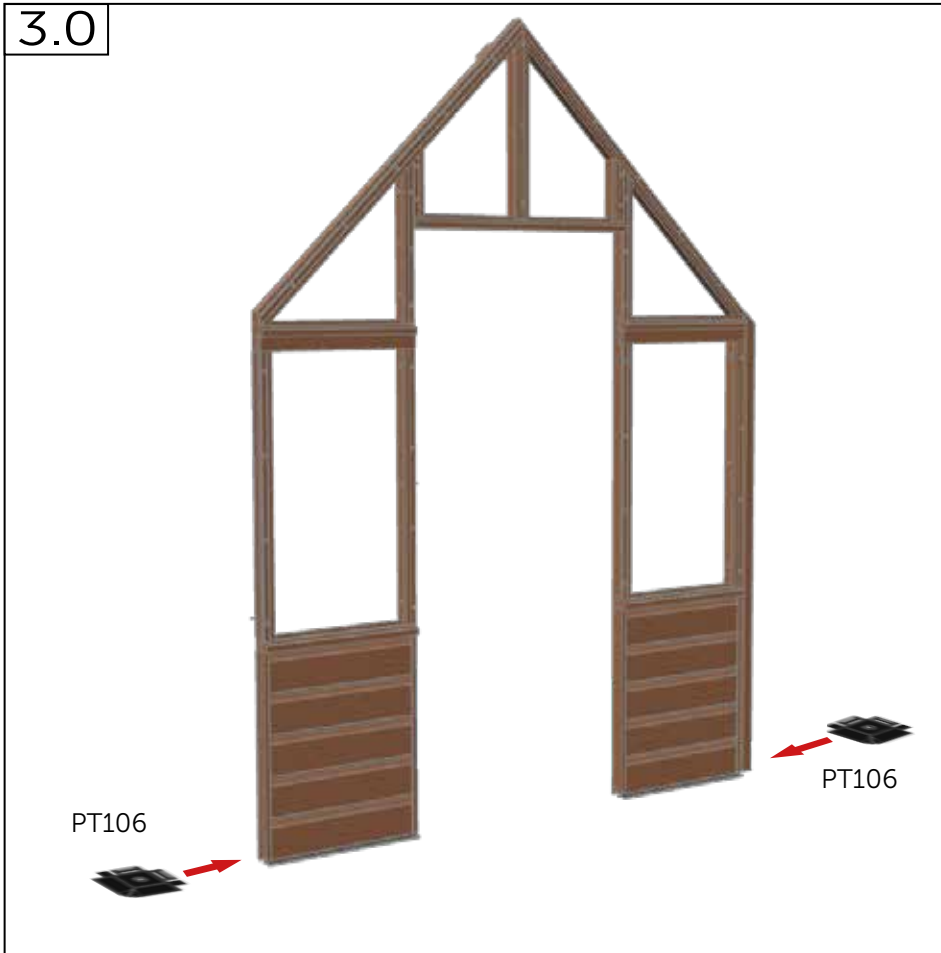
15 PANEL



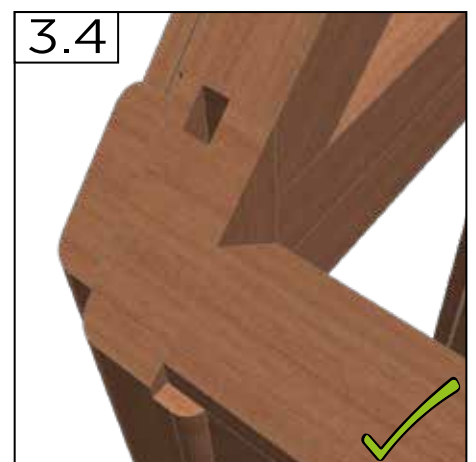
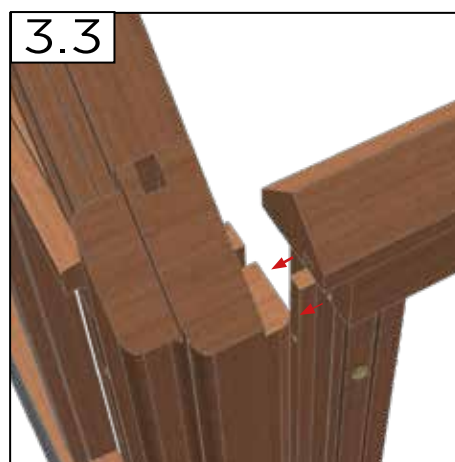
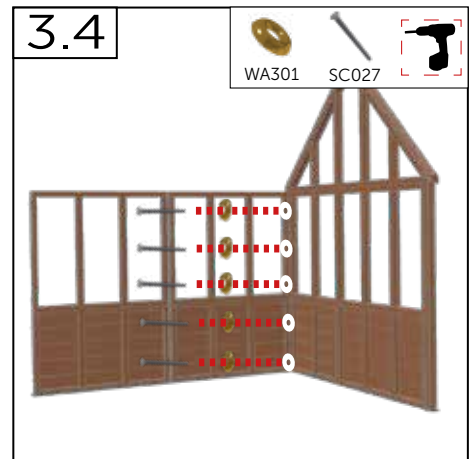
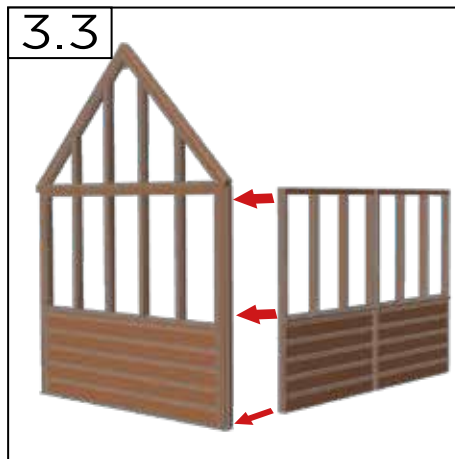
16 PANEL



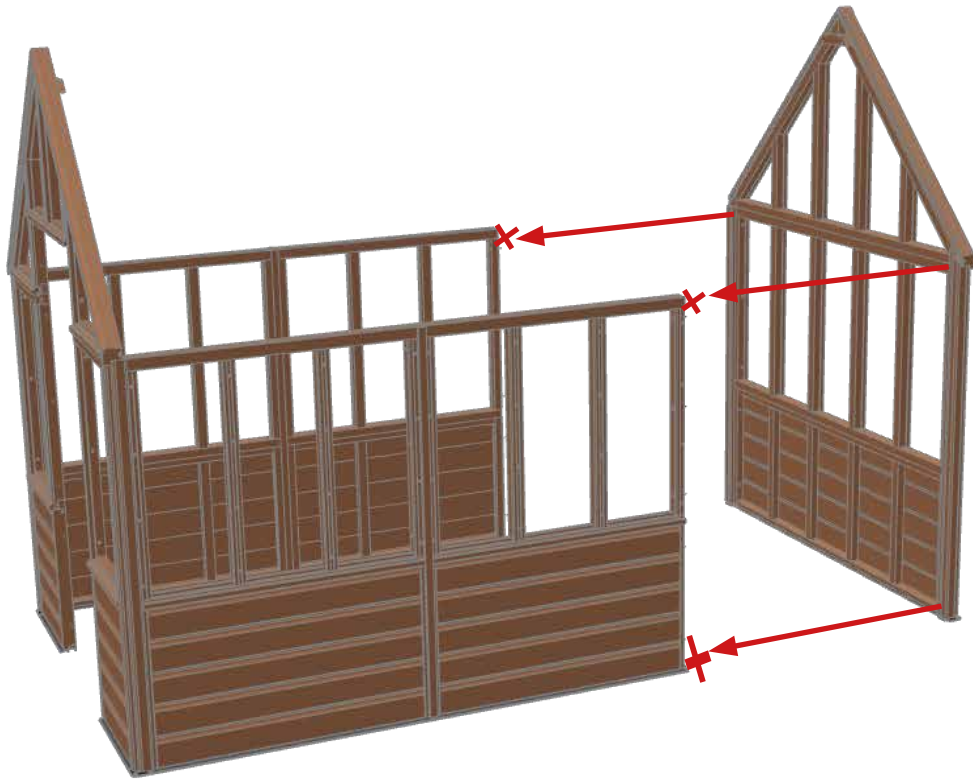
	#	mm
	D W135	-



	#	mm
	PT106	-
	SC027	4.2 x 65
	WA301	No. 8



3.4



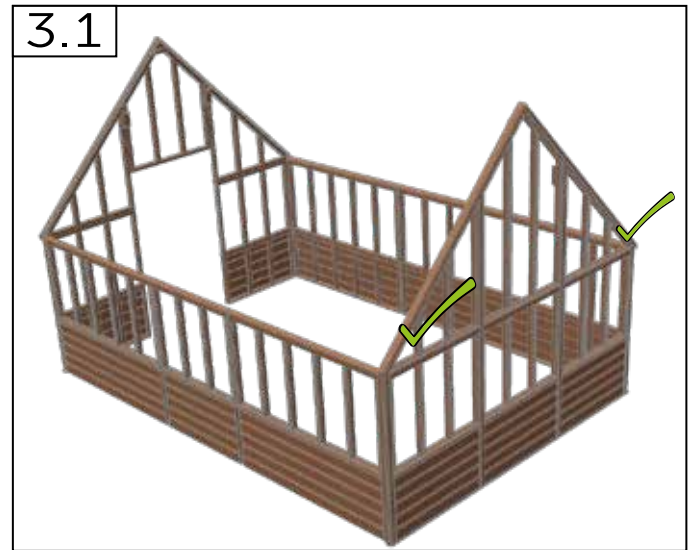
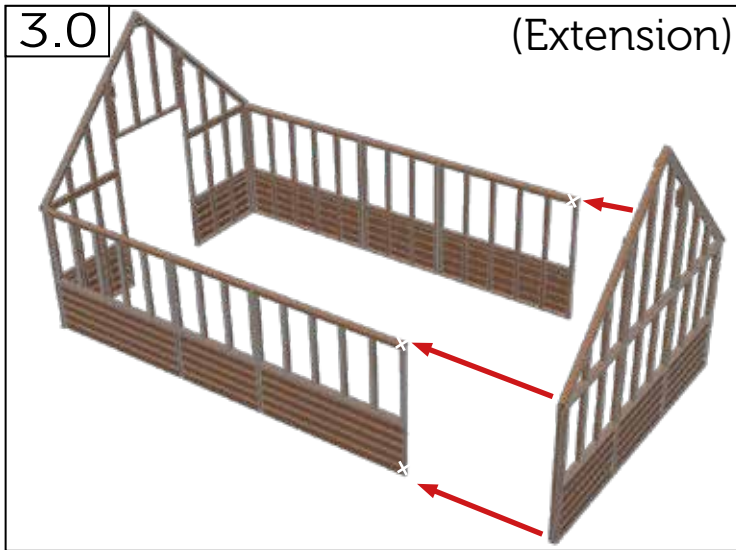
3.5



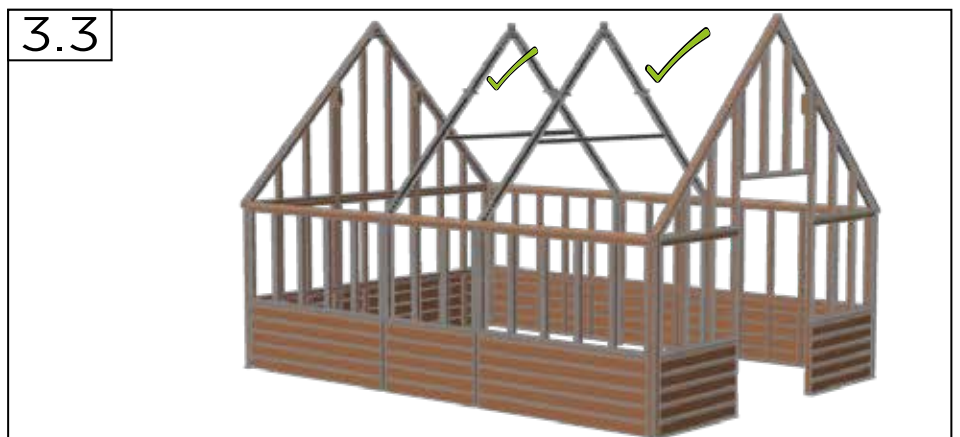
3.6



	#	mm
	-	-
	SC027	4.2 x 65
	WA301	No. 8
	SC125	4.2 x 25

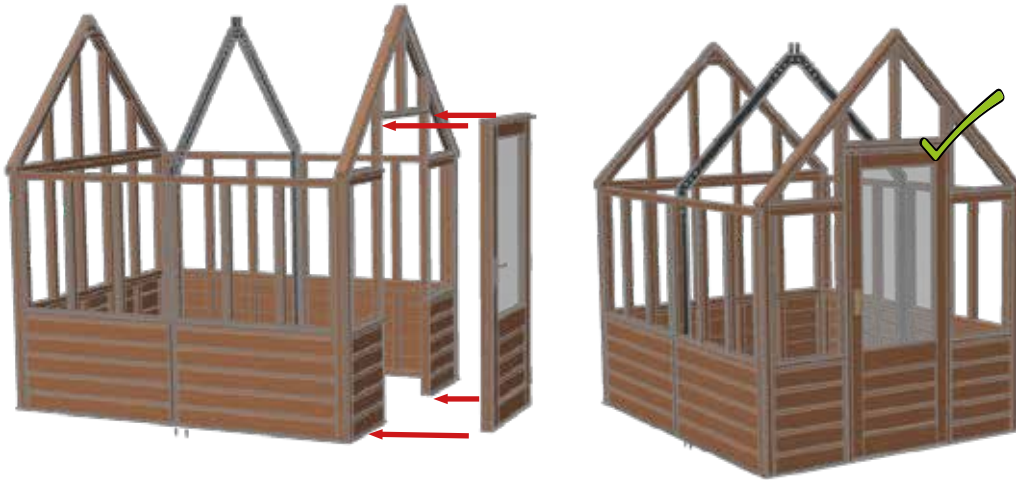


	#	mm
	-	-
	SC125	4.2 x 25



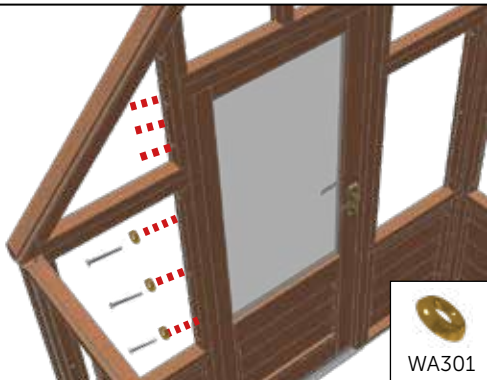


4.0

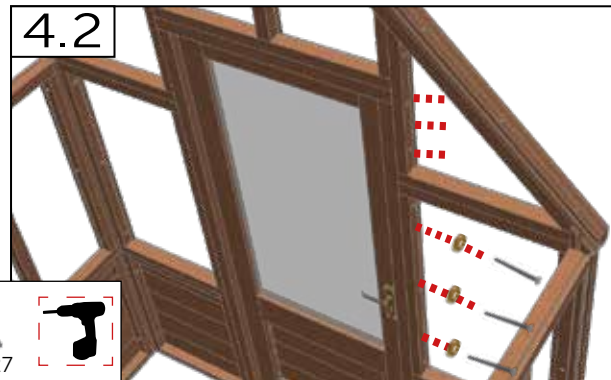


	#	mm
	SA1234	-
	SC027	4.2 x 65
	WA301	No. 8

4.1



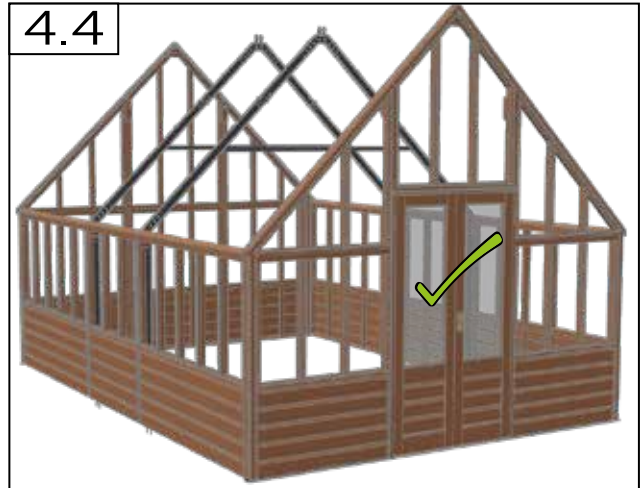
4.2



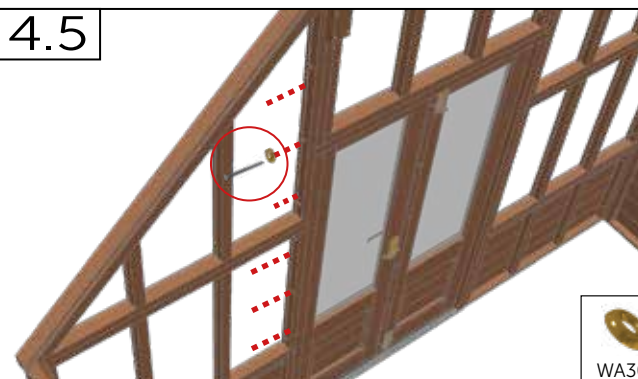
4.3



4.4



4.5



4.6



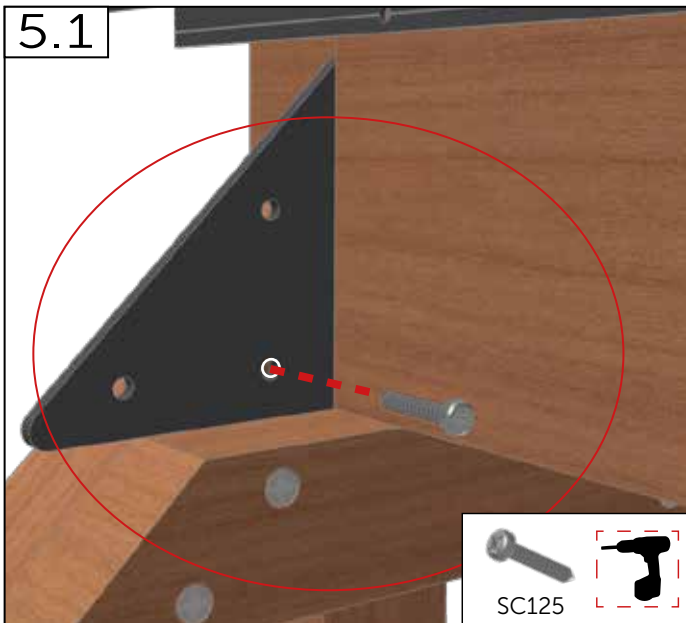


5.0

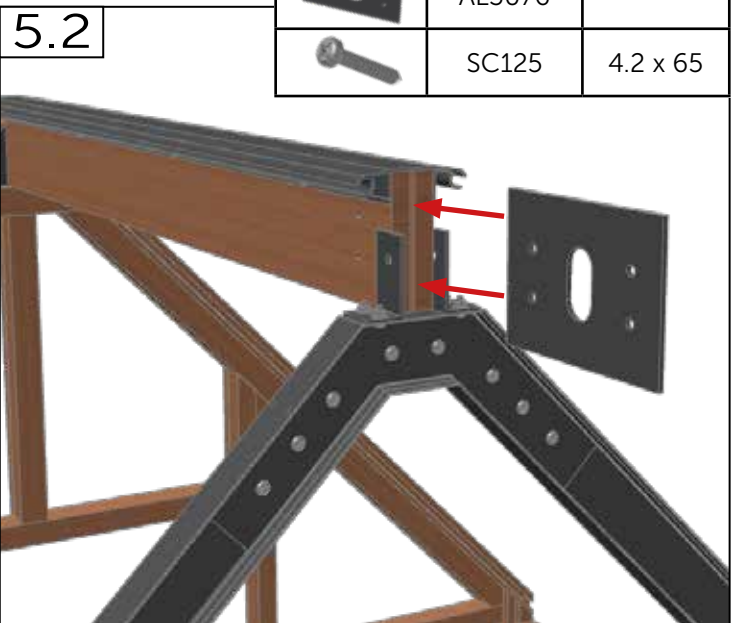


	#	mm
	A	-
	B	-
	AD001	70
	BL155	M8 x 20
	BL156	M8 x 80
	WA205	M8
	NUT	M6
	AL3076	-
	SC125	4.2 x 65

5.1

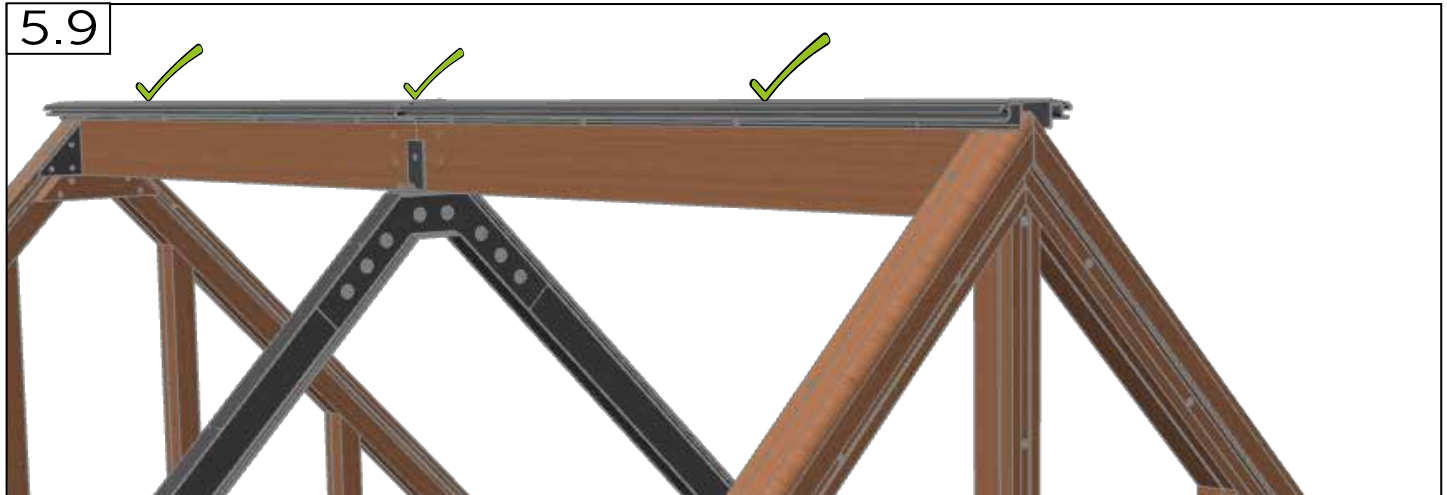
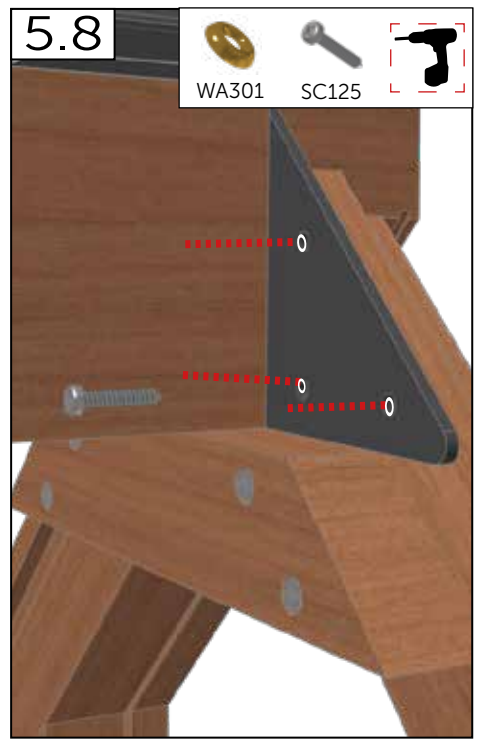
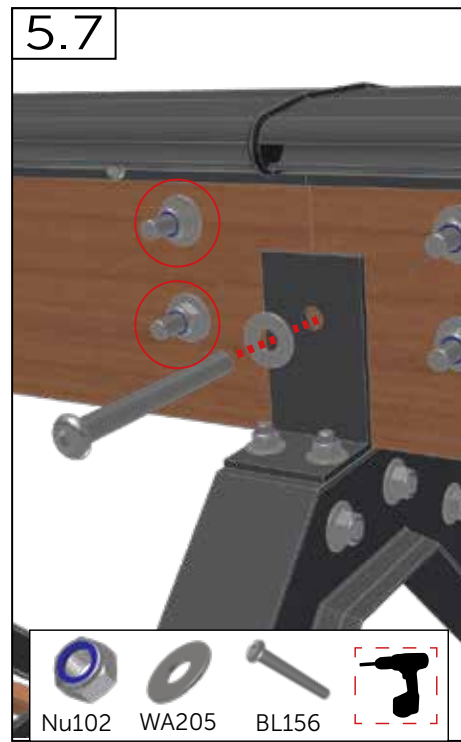
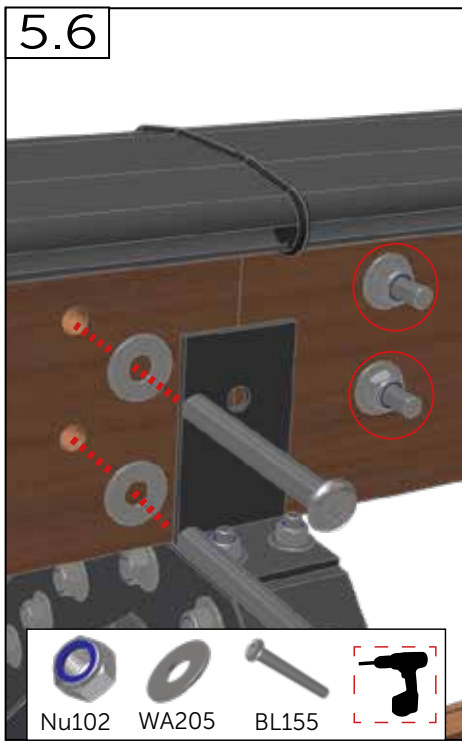
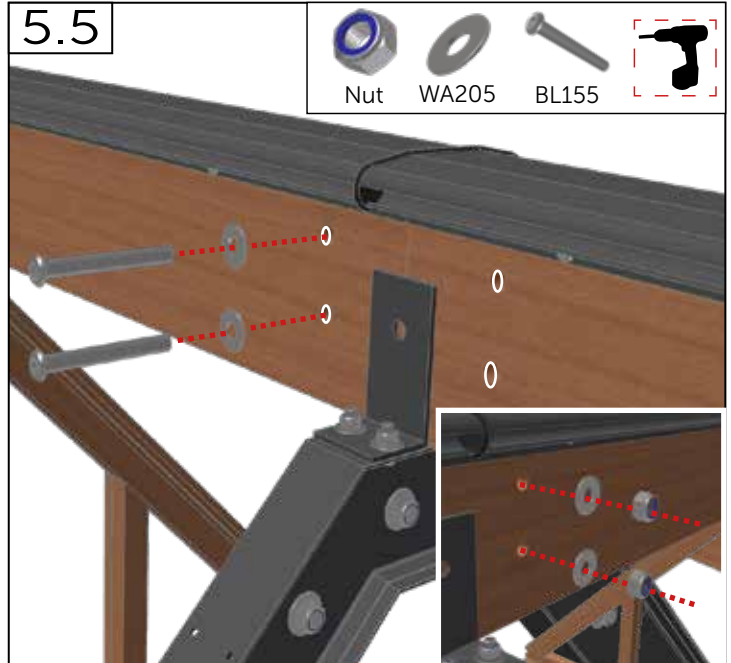
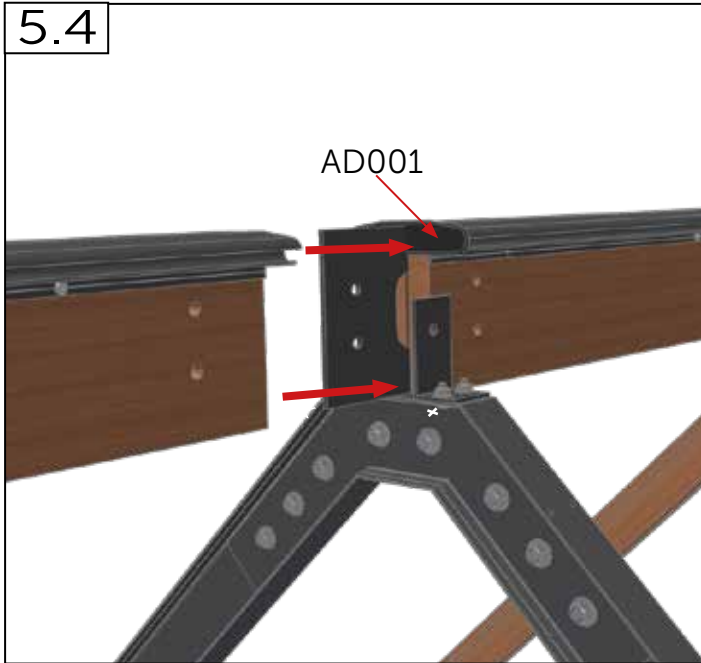


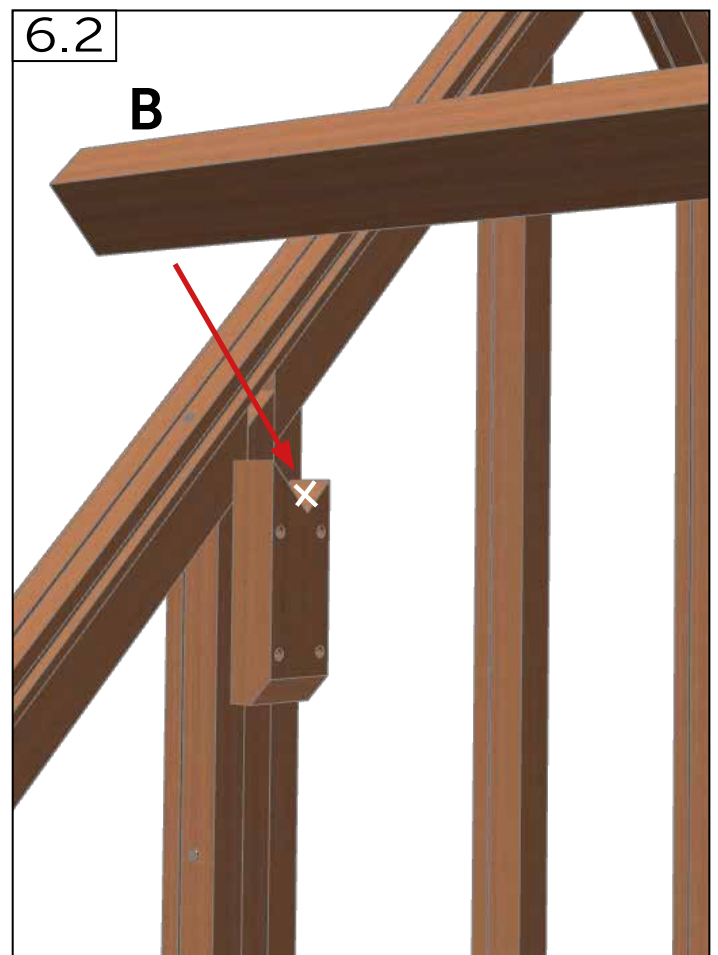
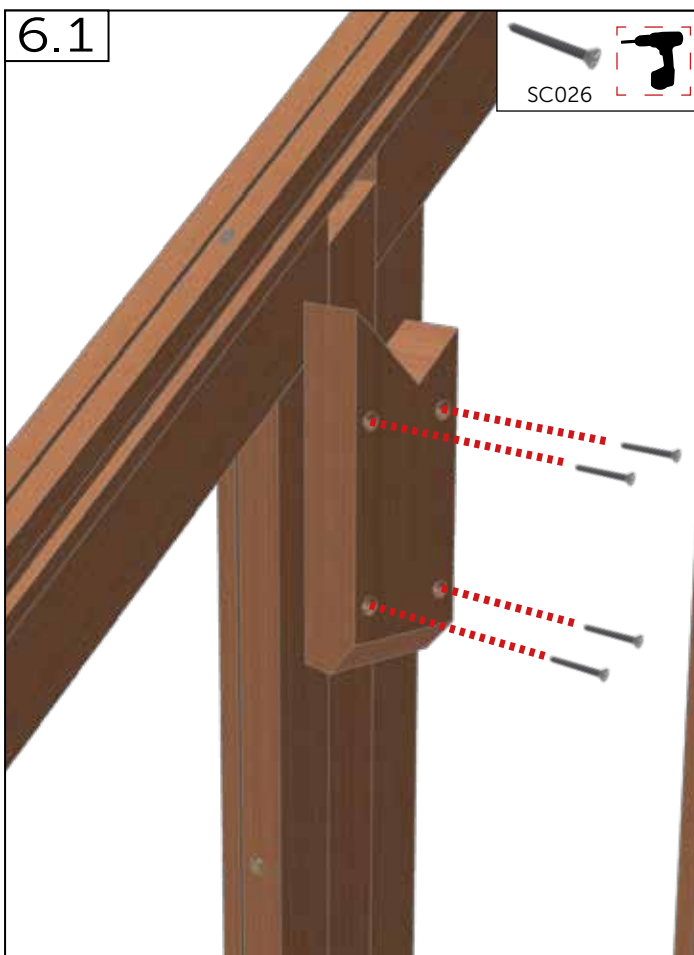
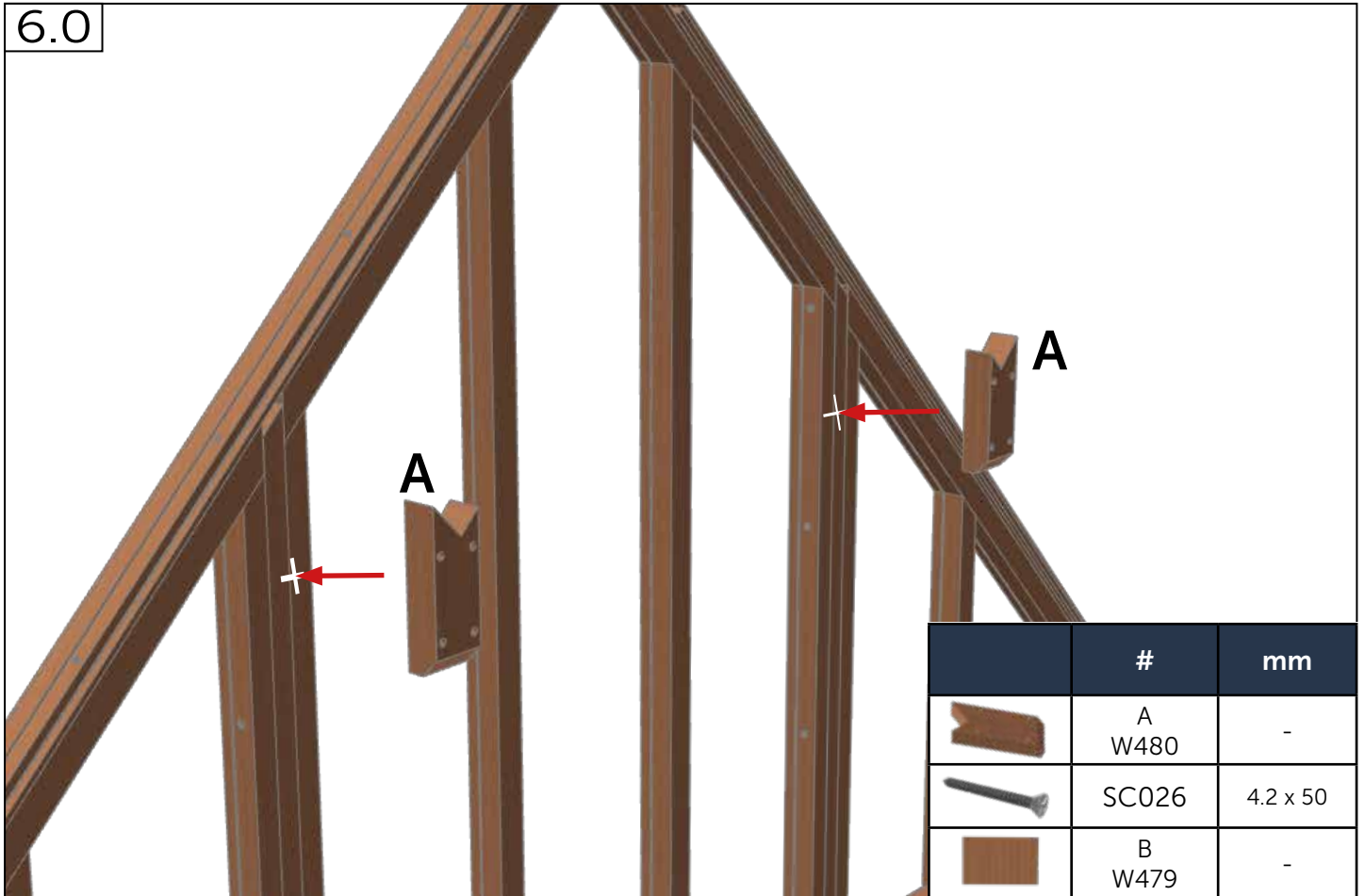
5.2



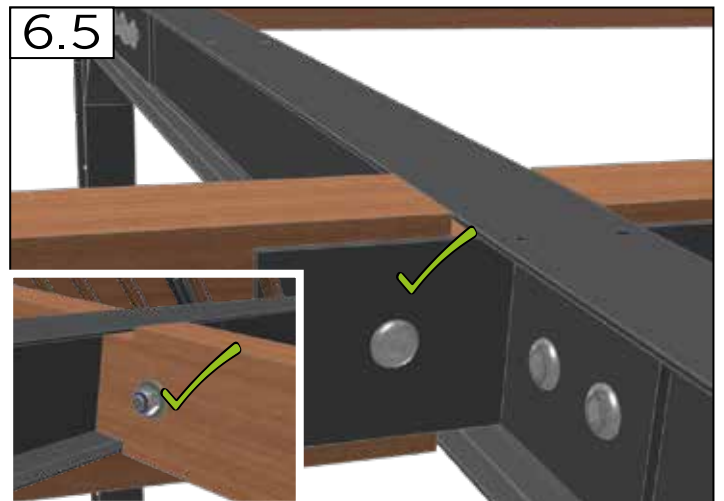
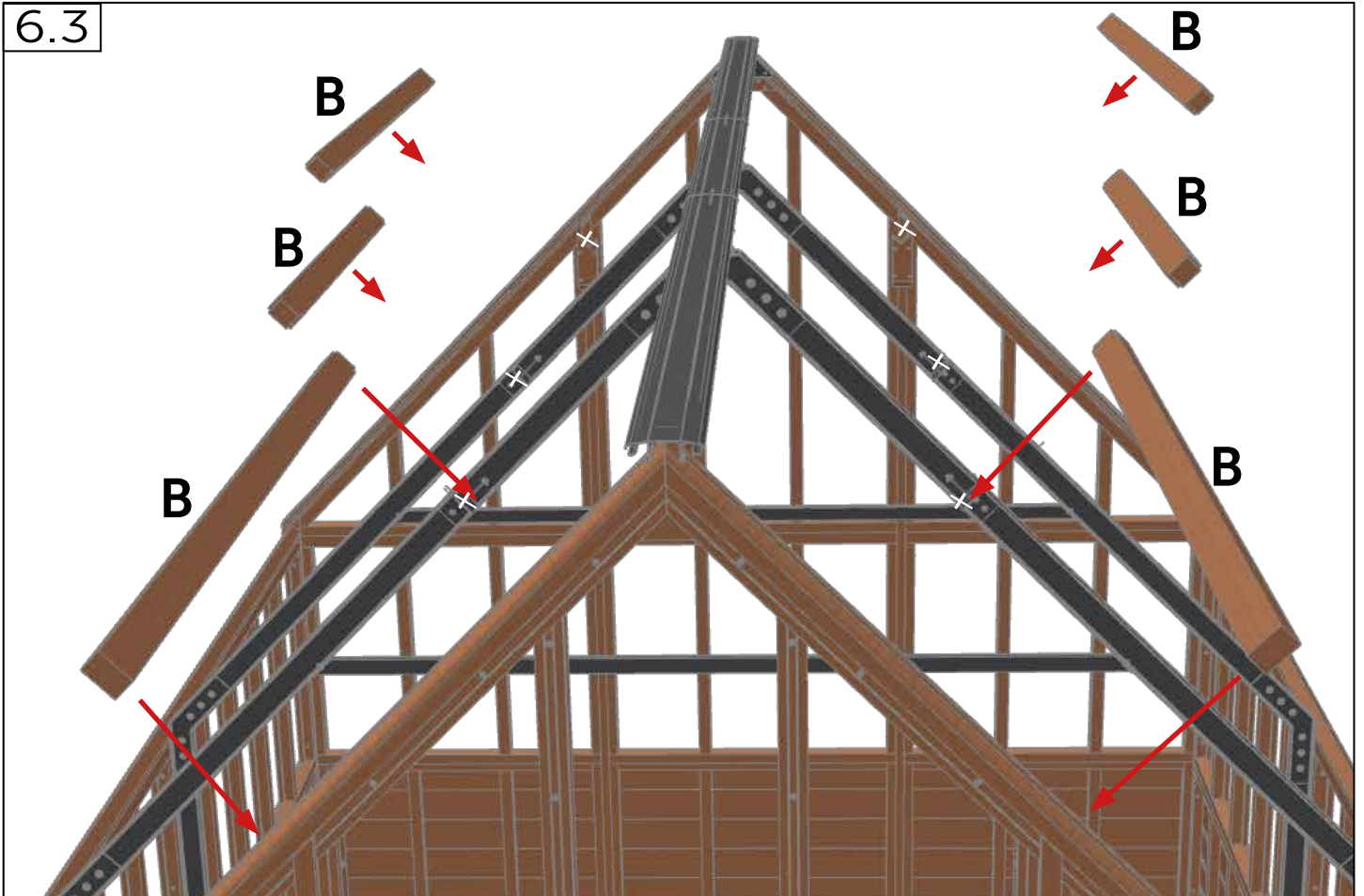
5.3



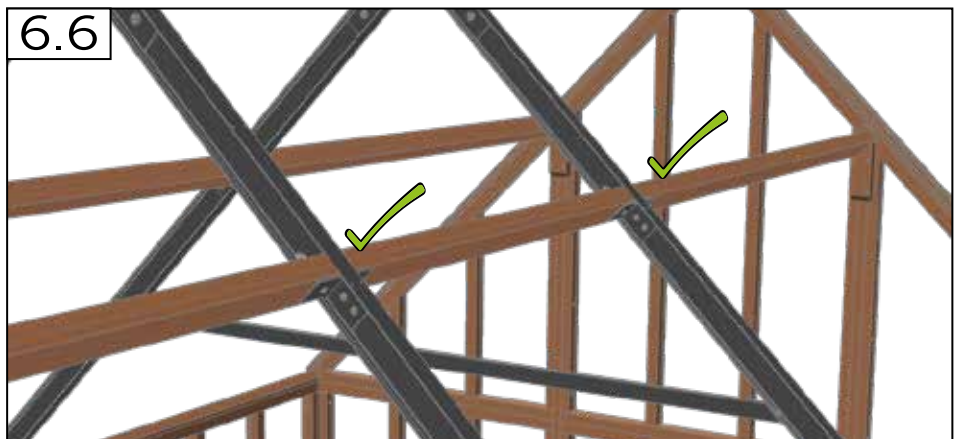




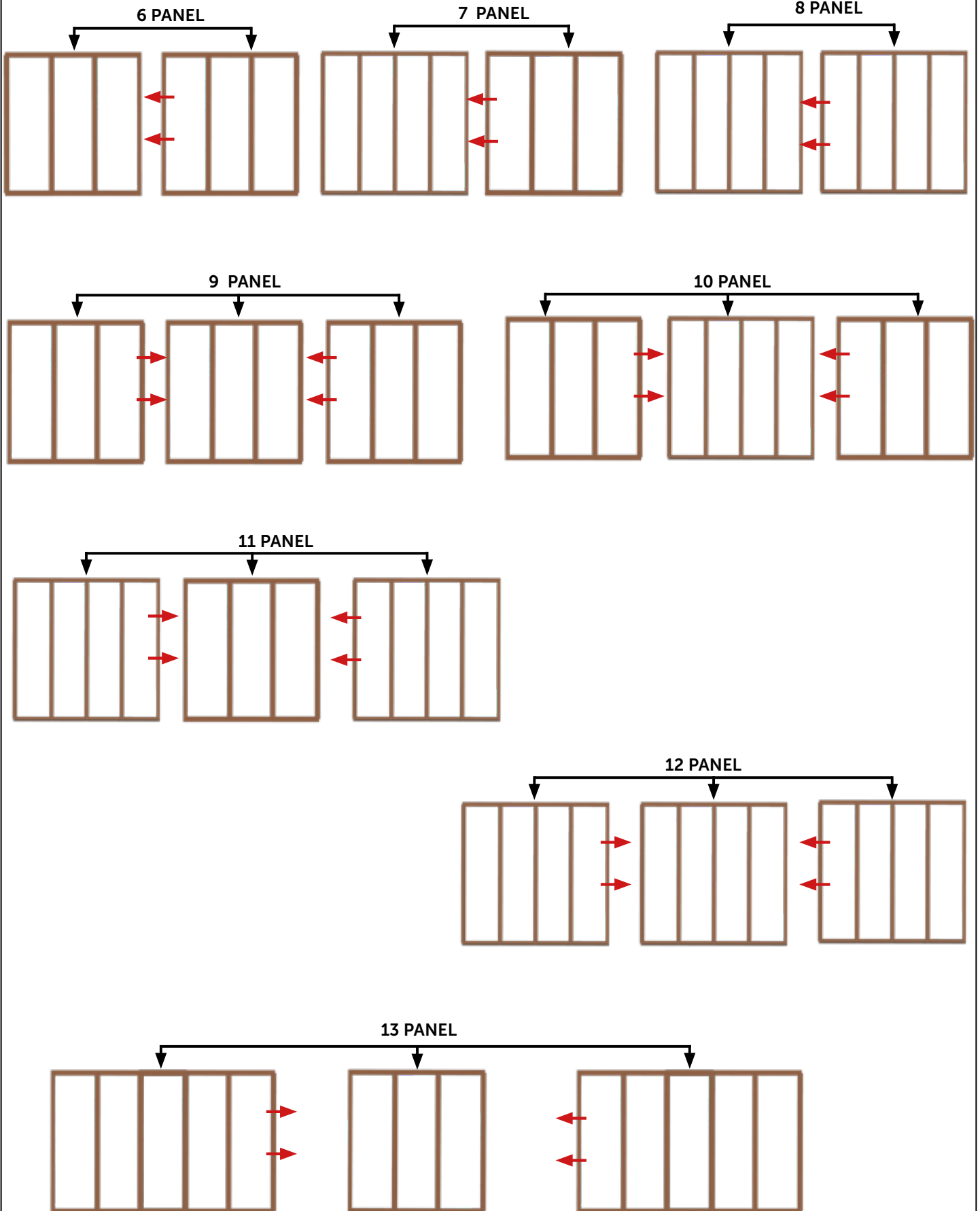




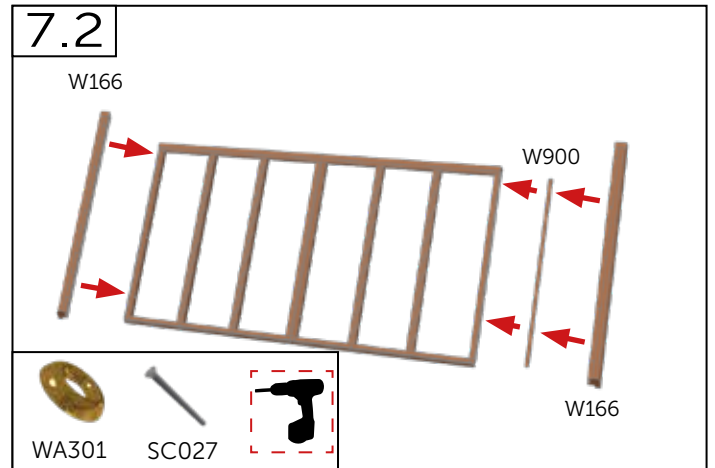
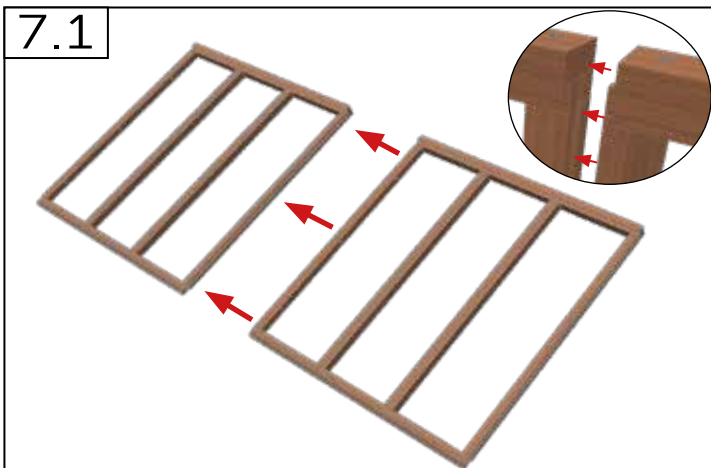
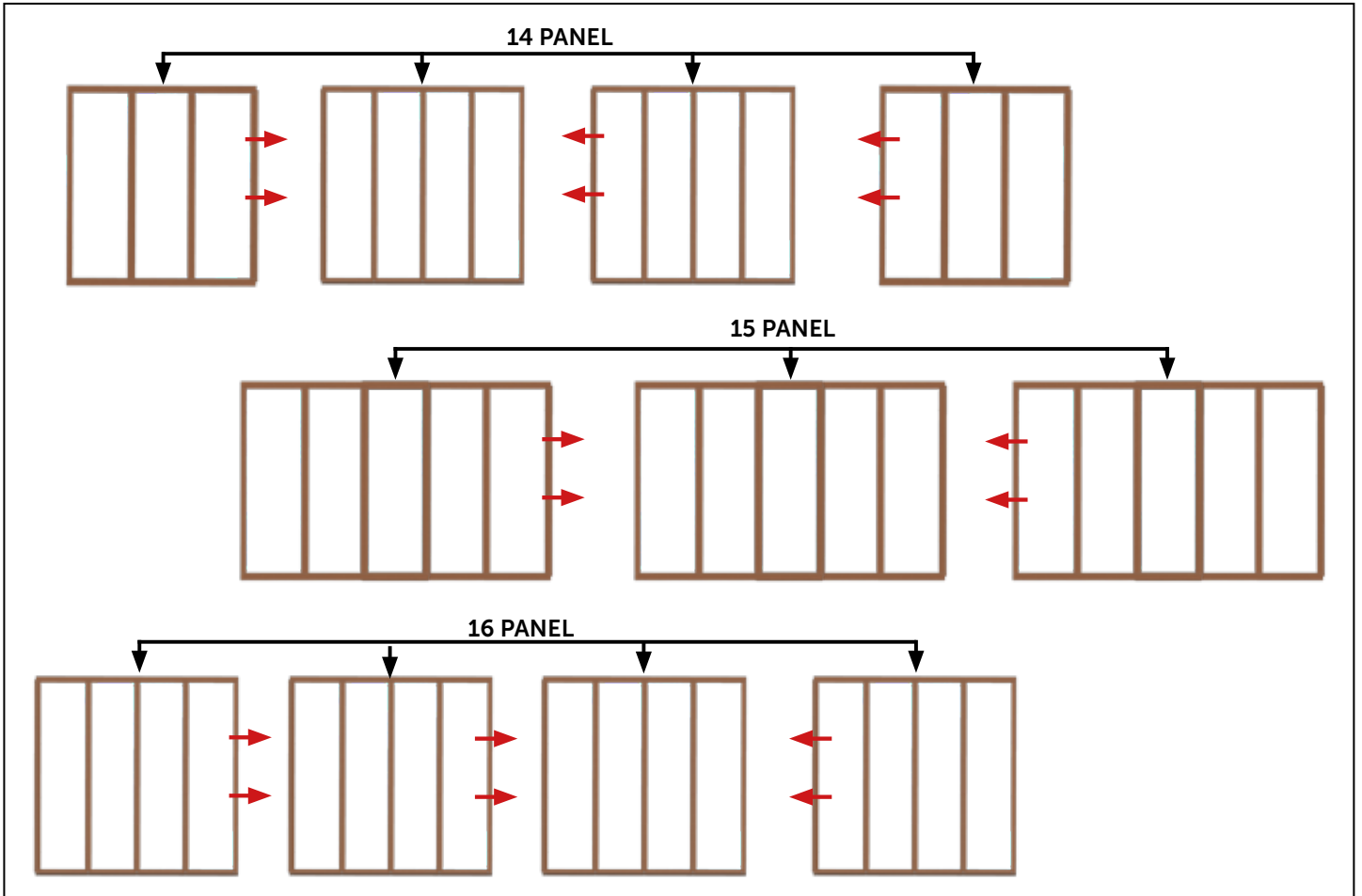
	#	mm
	B W479	-
	SC155	4.2 x 25
	NU101	M6
	WA205	M8



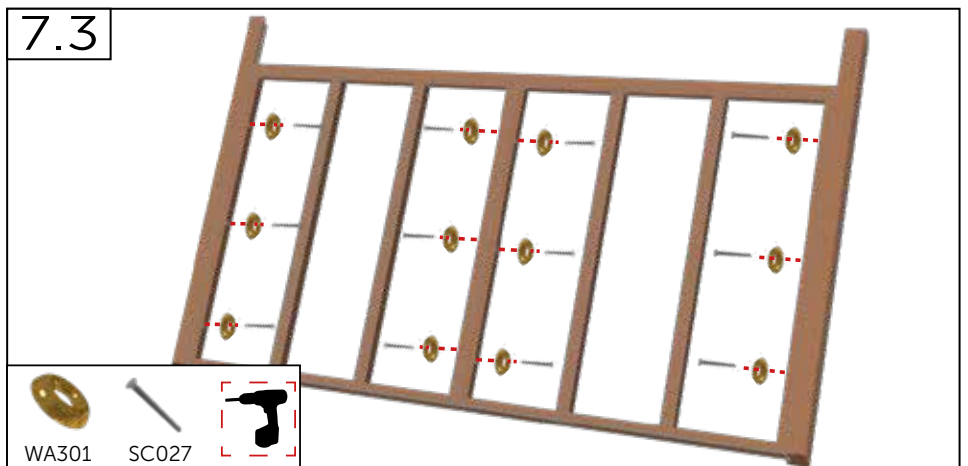
7.0



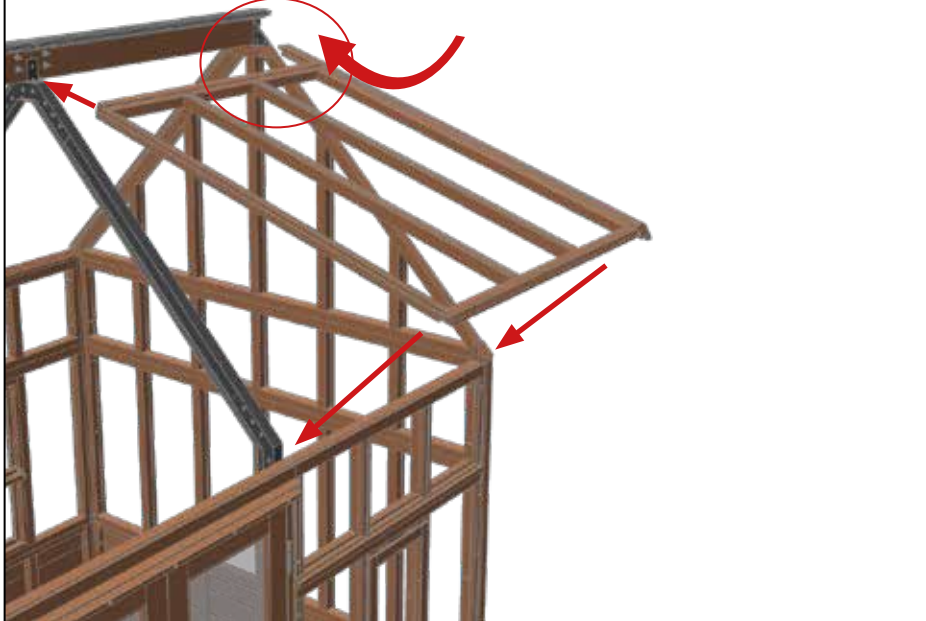
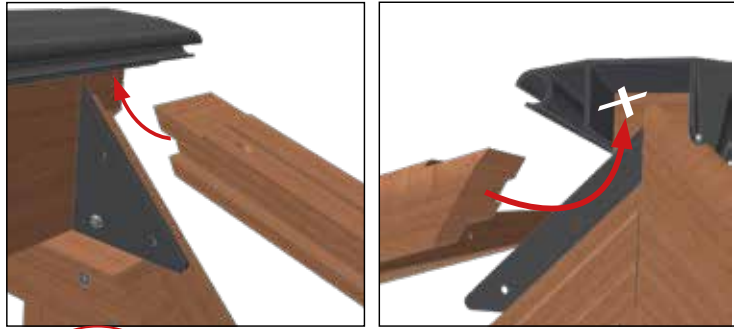




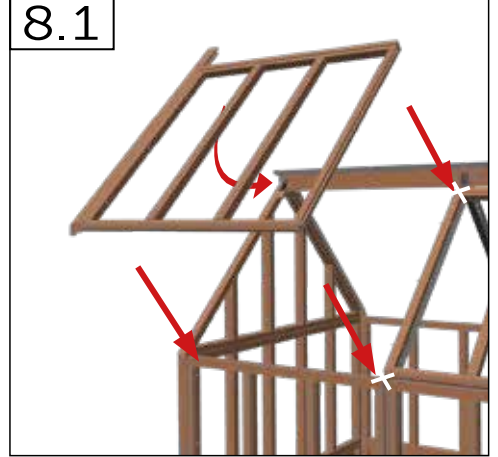
	#	mm
	SC027	4.2 x 65
	WA301	No. 8
	W900	-
	W166-##	-
	W166-##	-



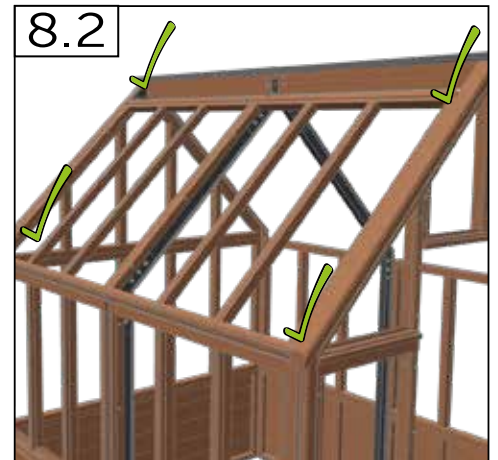
8.0



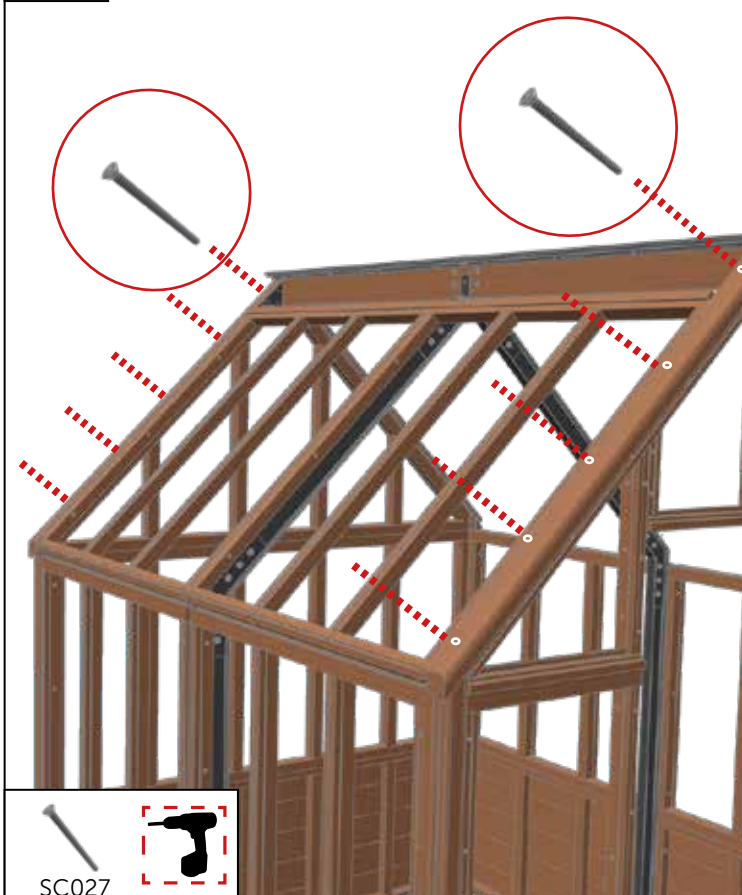
8.1





8.2

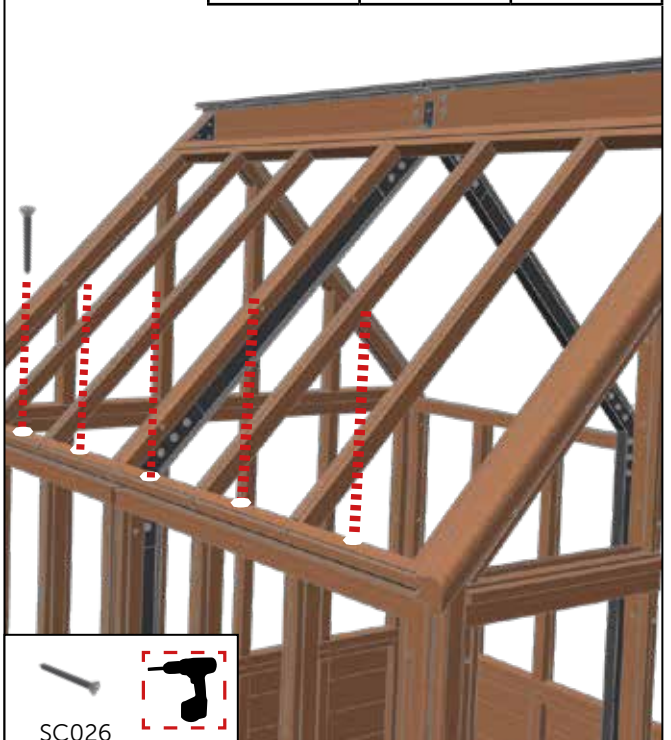


8.3

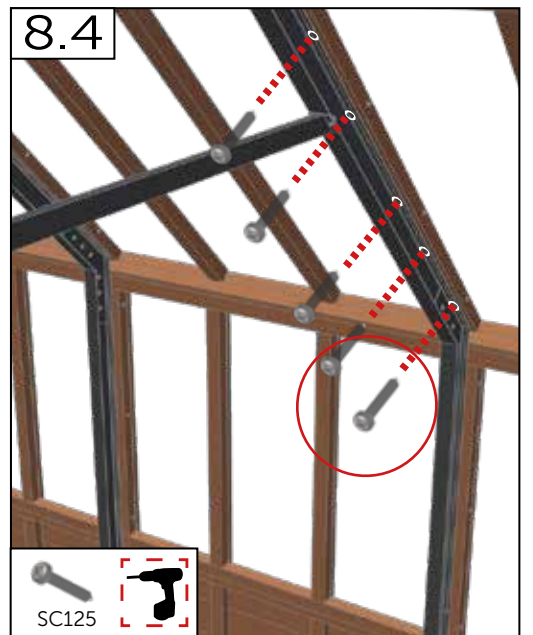
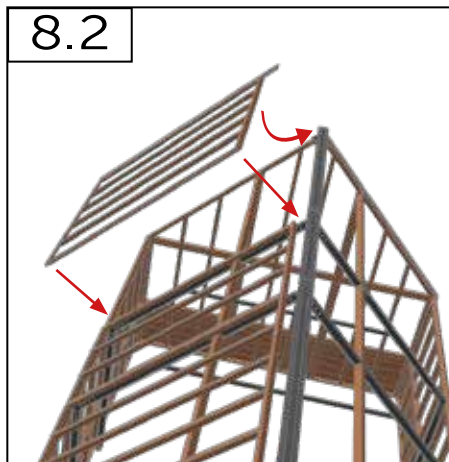
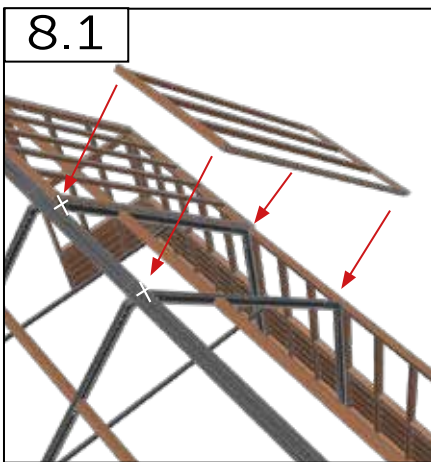
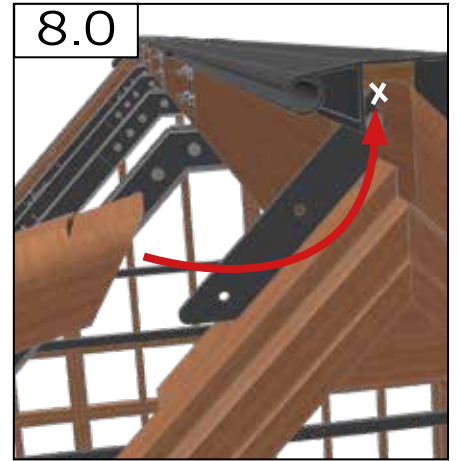
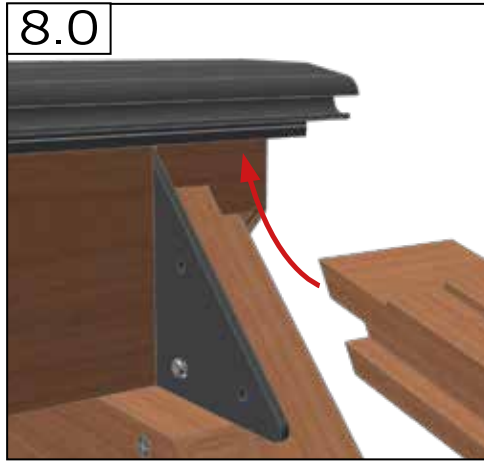
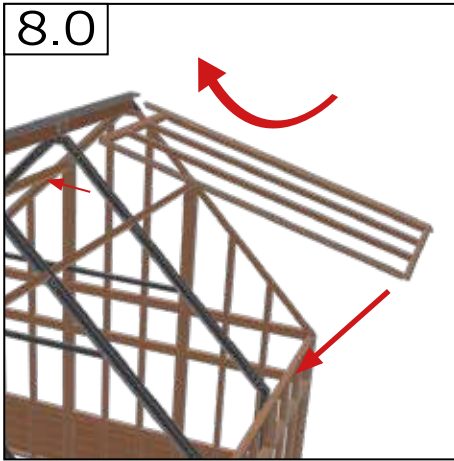


8.4



	#	mm
	SC027	4.2 x 65
	SC026	4.2 x 50






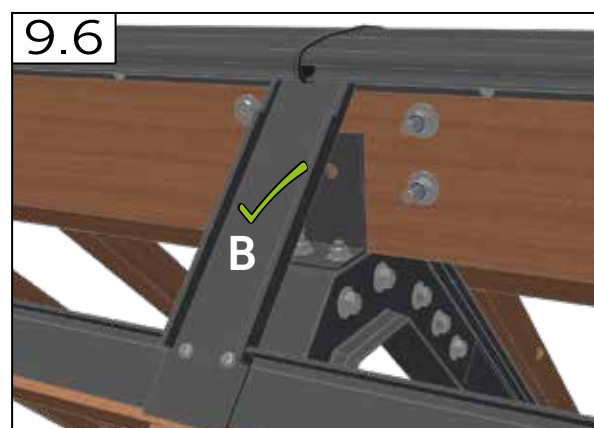
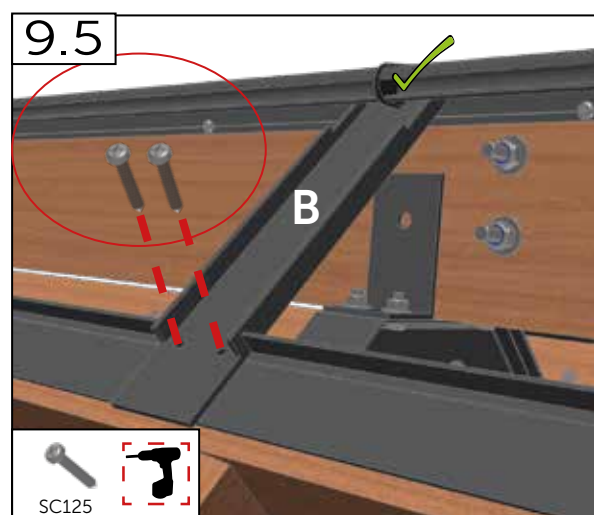
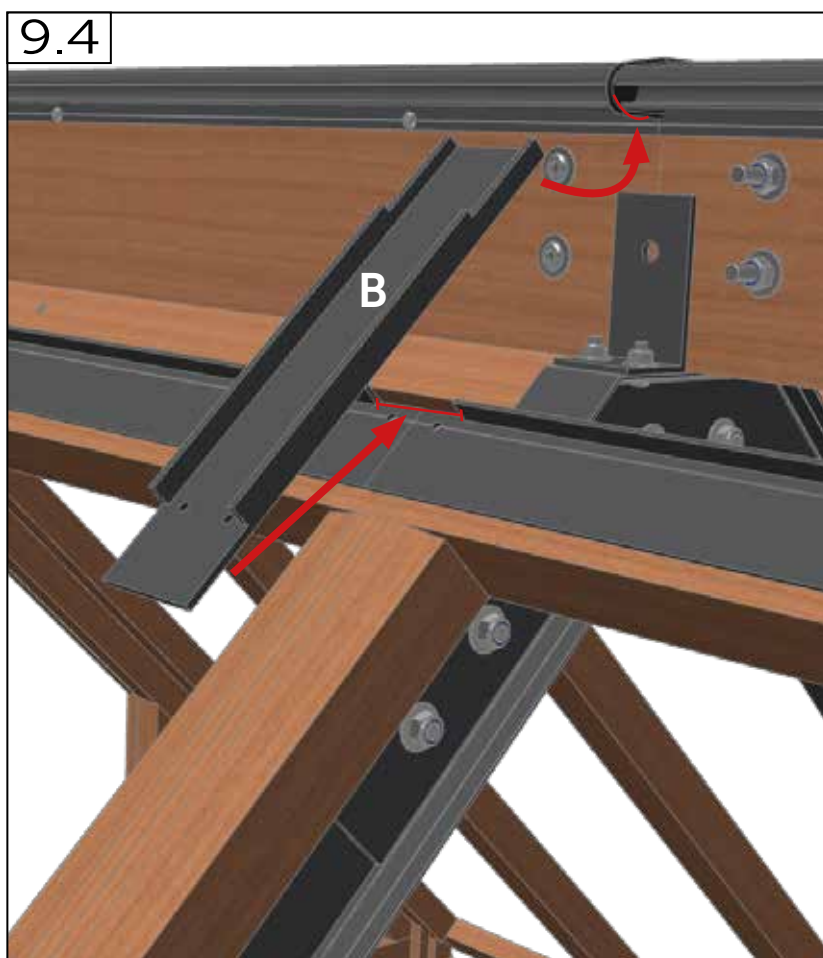
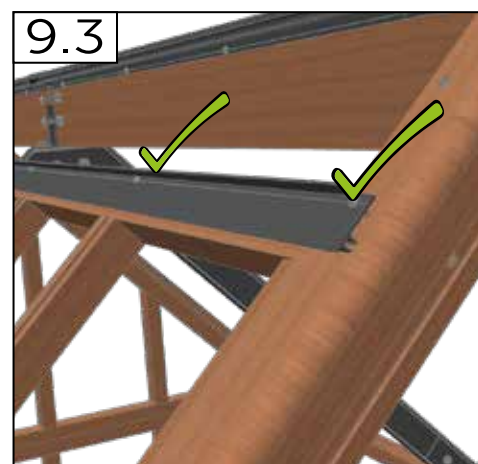
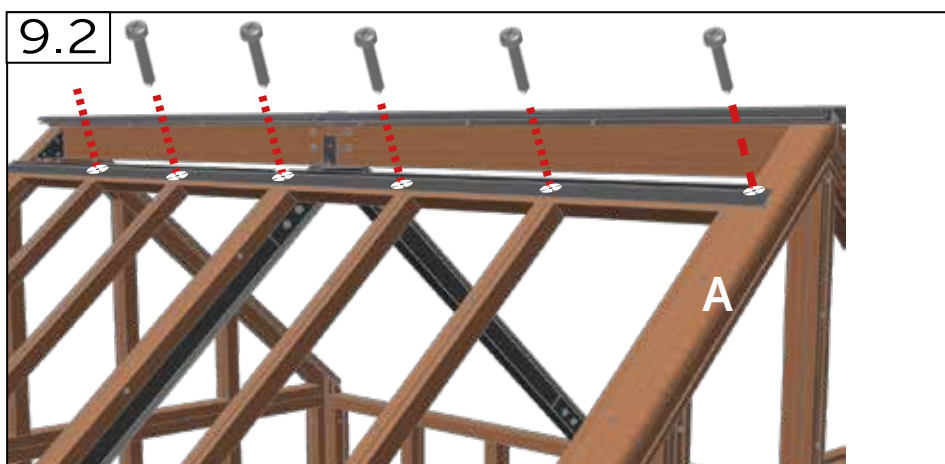
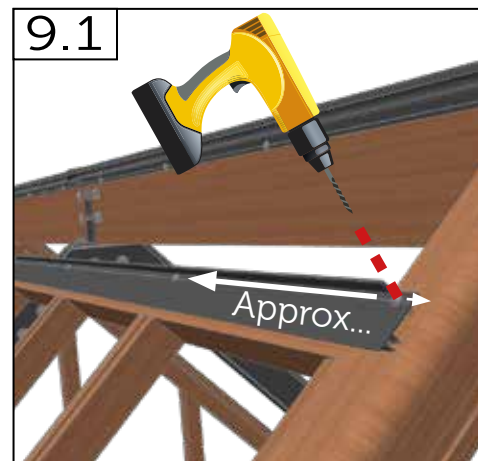
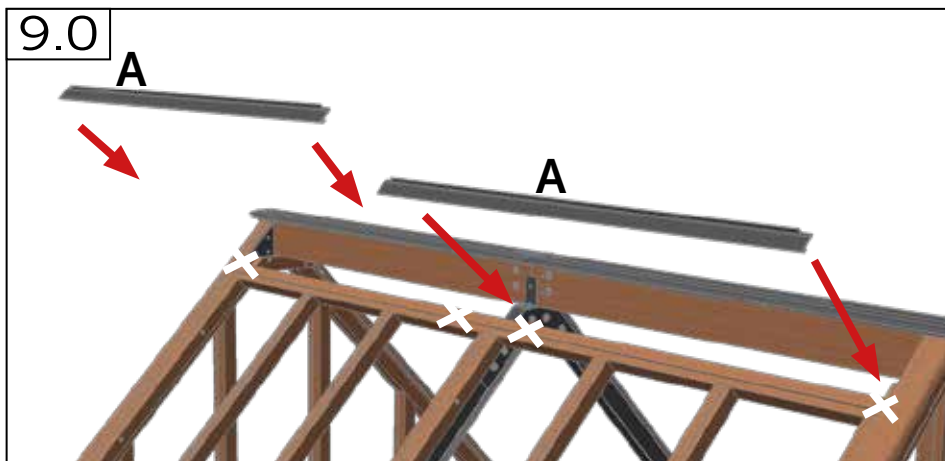


8.3

	#	mm
	SC026	4.2 x 50
	SC125	4.2 x 125

SC026 

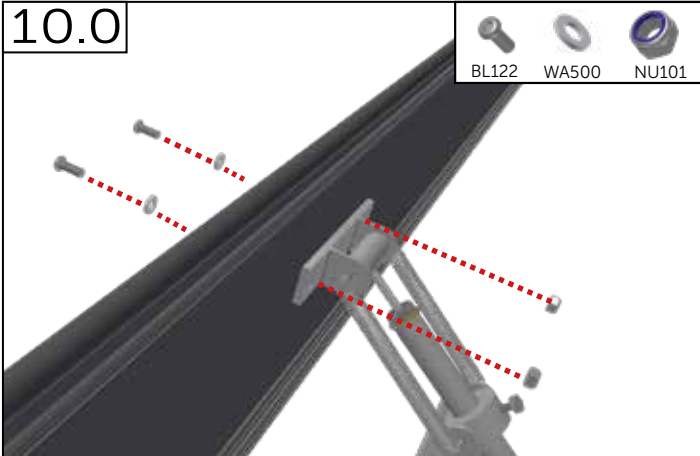




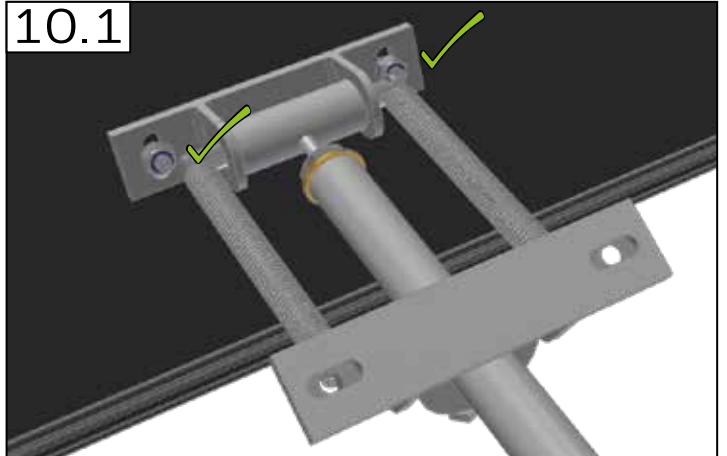


Trims - Trimmer - Trimmen - Garnitures - Versierungen - Trimmit  
 - Wykończenia - dornos

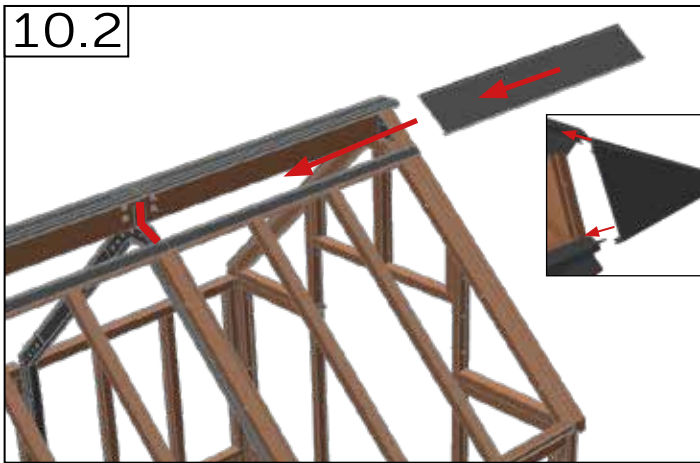
10.0



10.1



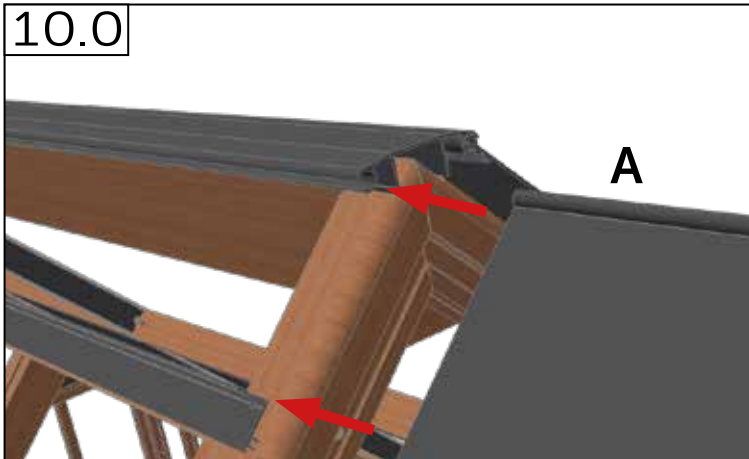
10.2



10.3



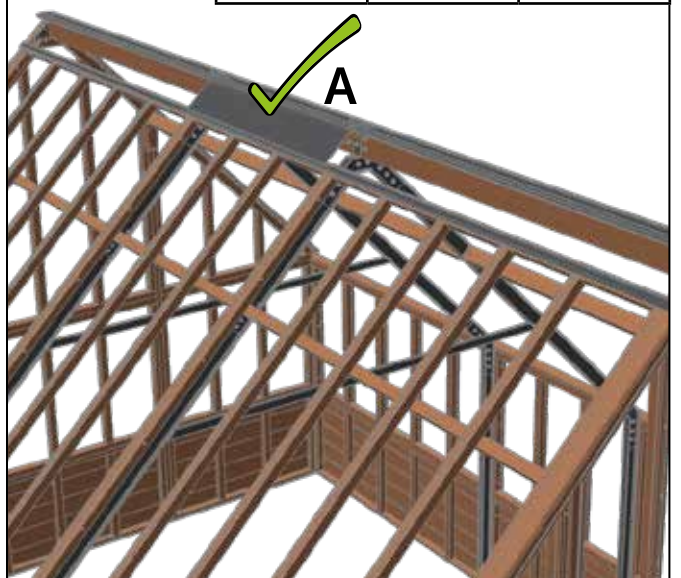
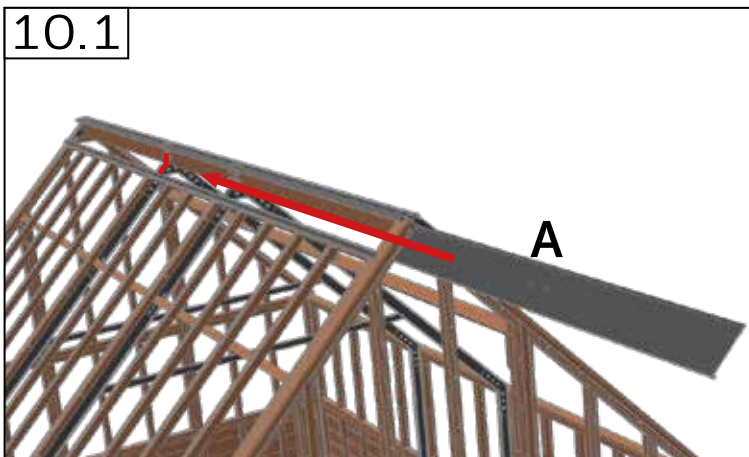
10.0



10.2

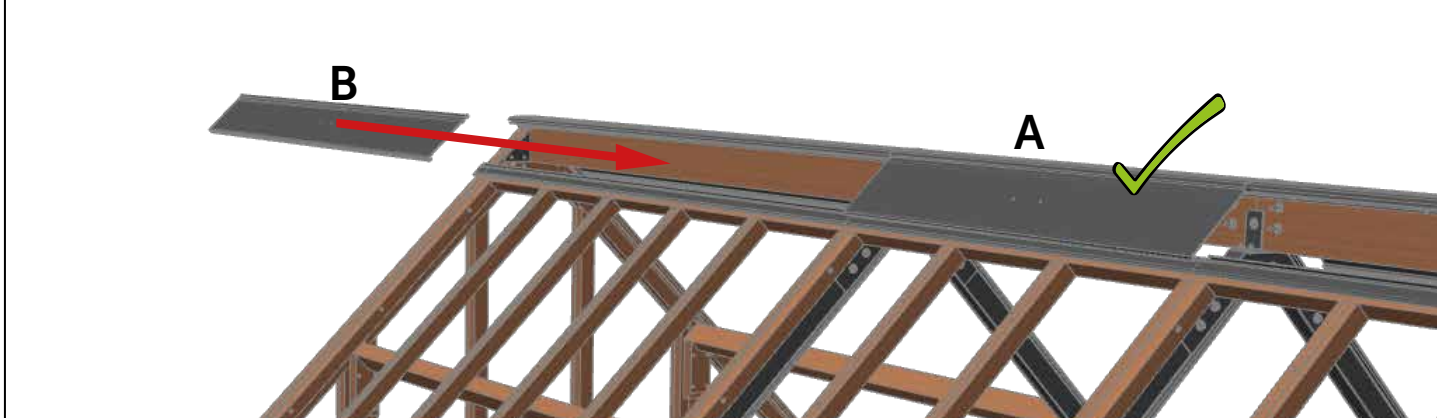
	#	mm
	A,B AL2000	-
	AV001	-
	WA500	M6 x 16
	NU101	M6
	BL122	M6 x 16

10.1





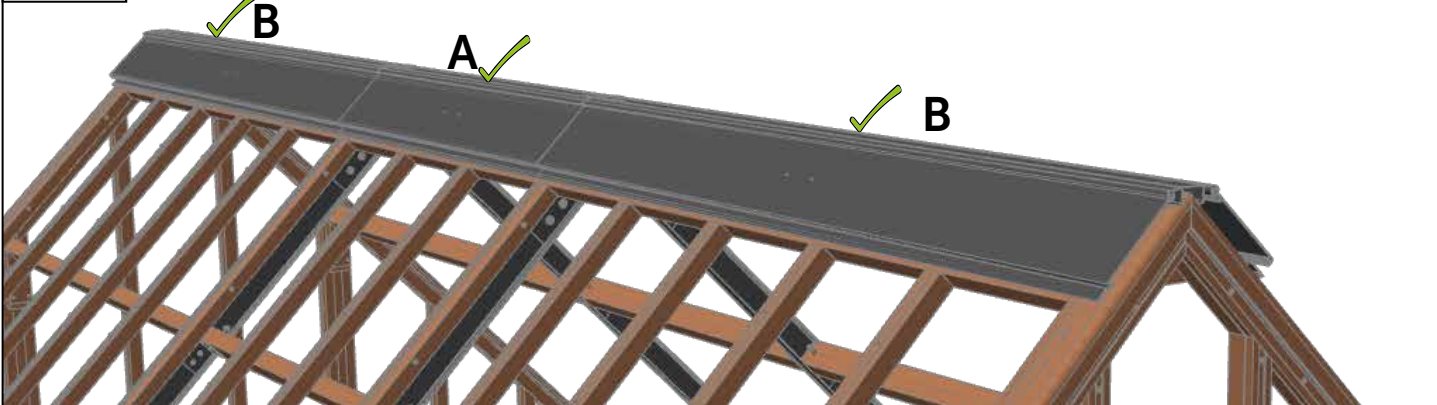
10.3



10.4



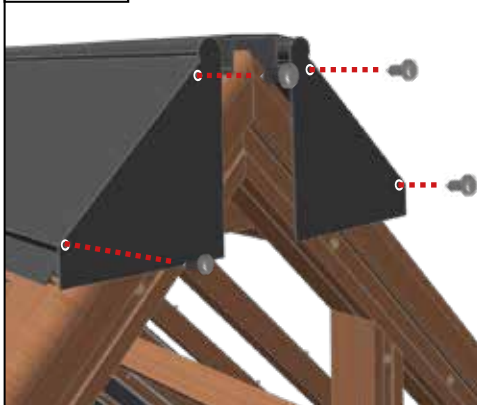
10.5



10.6



10.7

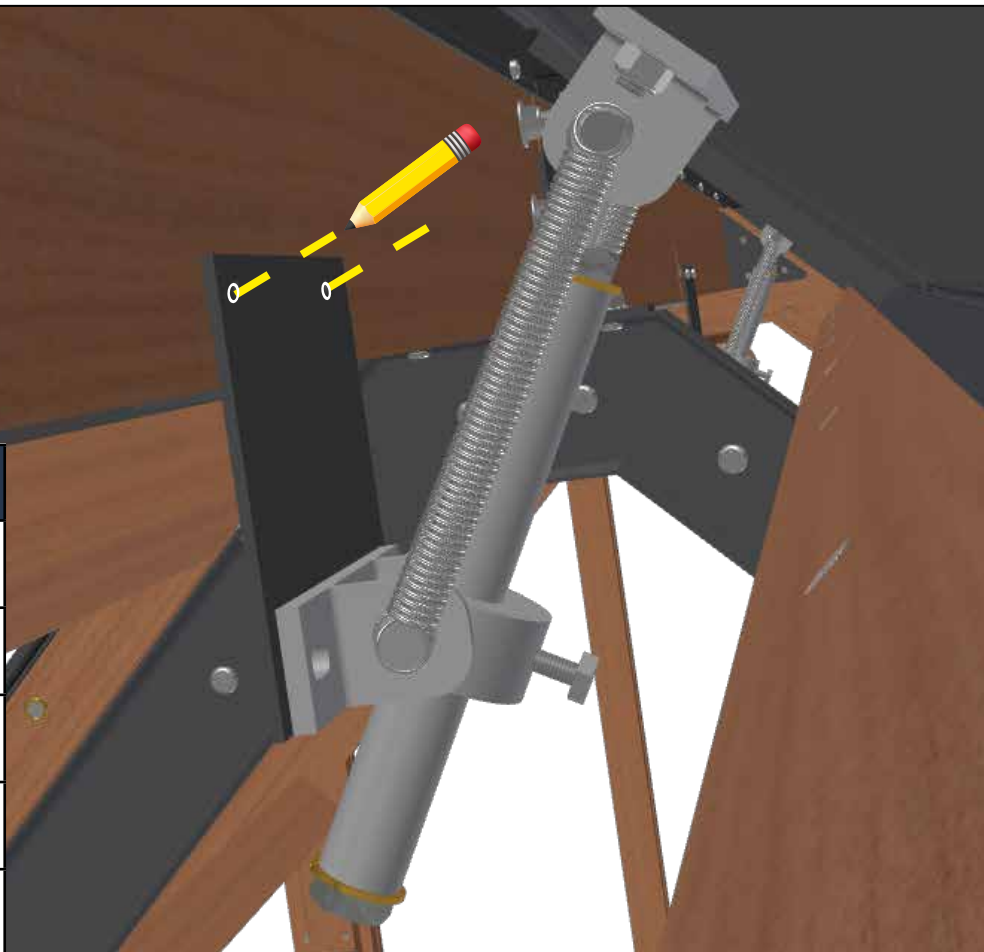


10.8

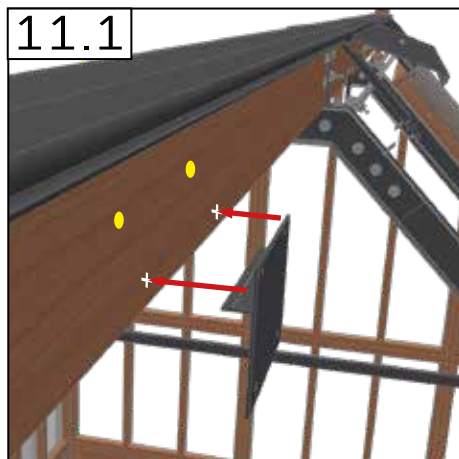


11.0

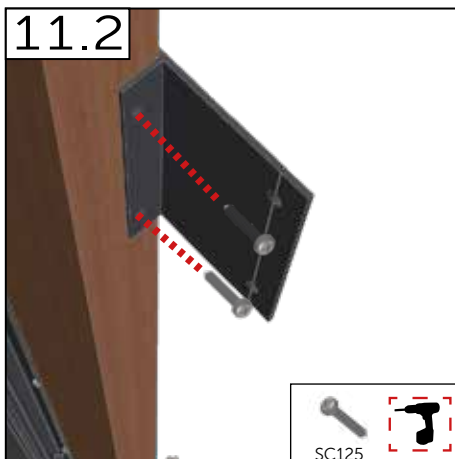
	#	mm
	AV001	-
	WA500	M6 x 16
	NU101	M6
	BL122	M6 x 16
	SC125	4.2 x 95



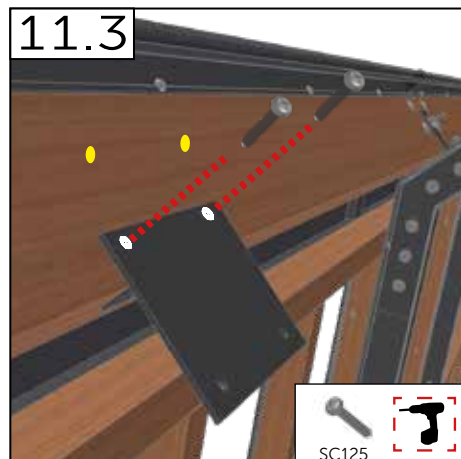
11.1



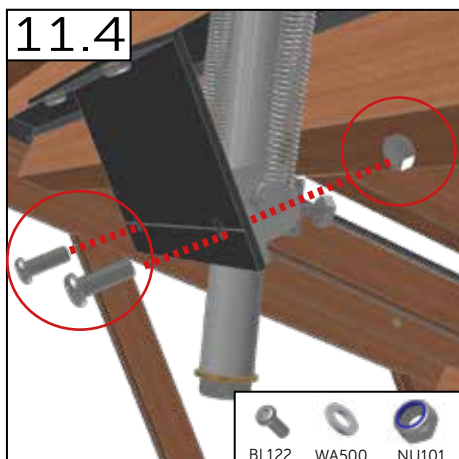
11.2



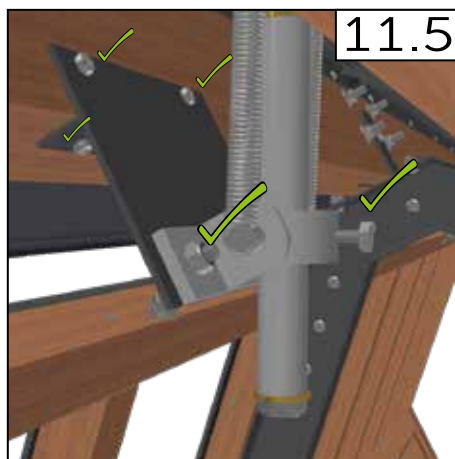
11.3



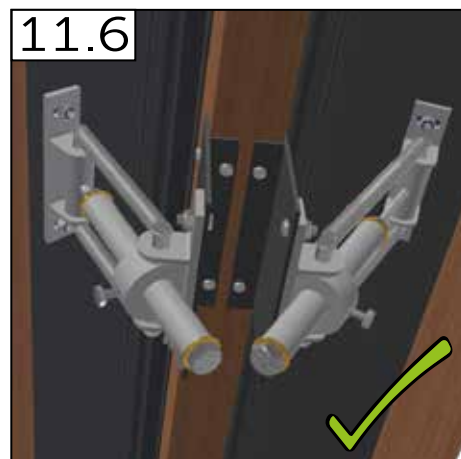
11.4



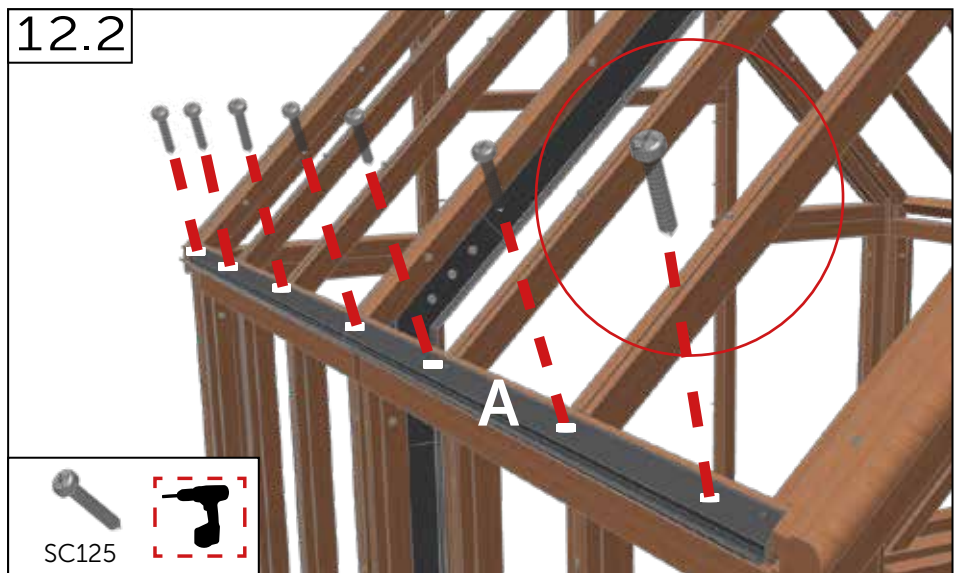
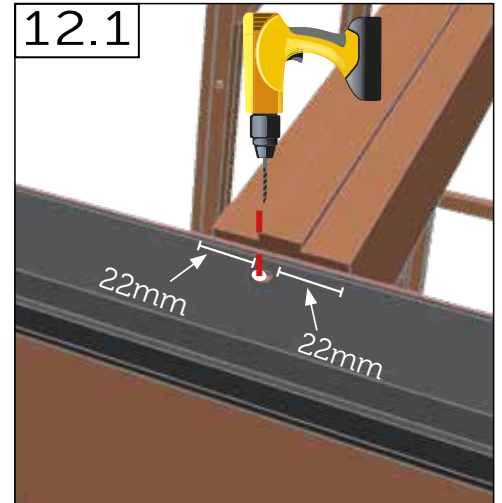
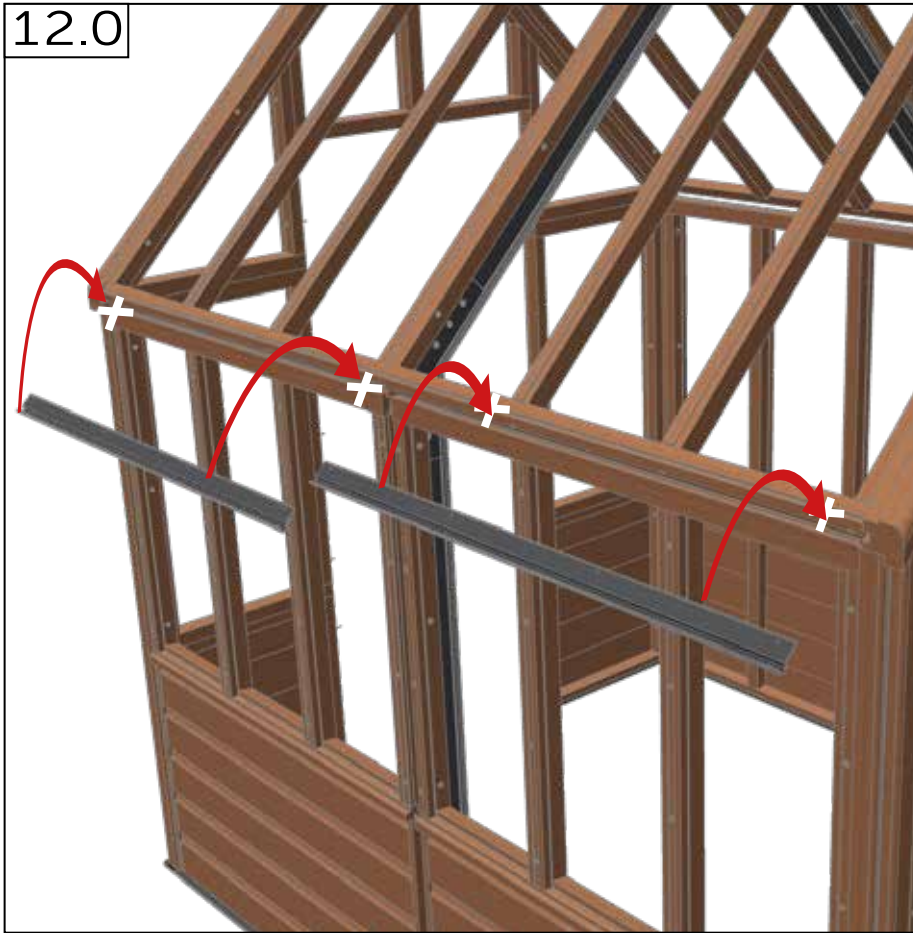
11.5






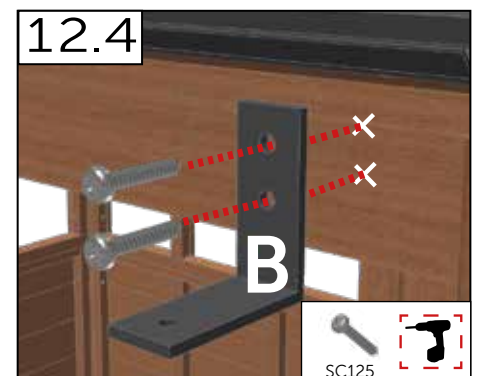
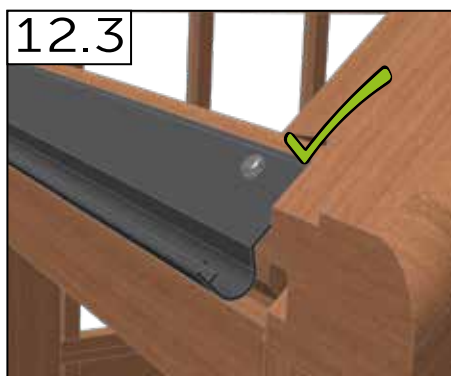
11.6







	#	mm
	A AL2022	-
	SC125	4.2 x 25
	B AL3051	-

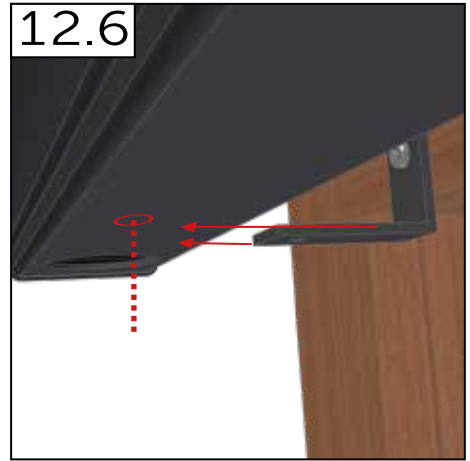


12.5

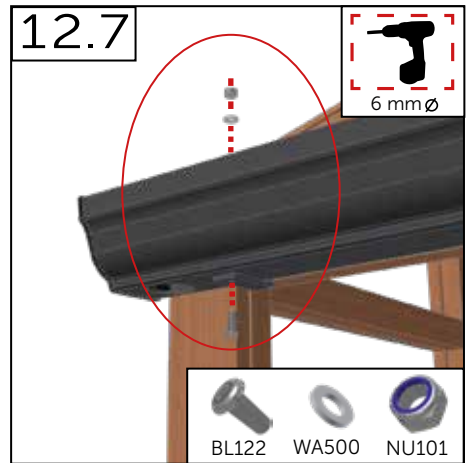


	#	mm
	A AL2014	-
	B AL2014	-
	BL122	M6 x 16
	WA500	M6 x 16
	NU101	M6
	PT200	MALE FEMALE
	PT204	-

12.6



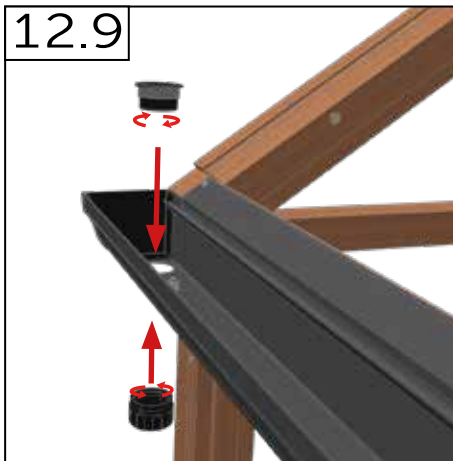
12.7



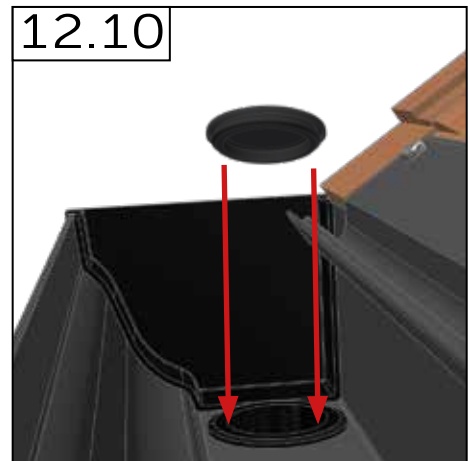
12.8



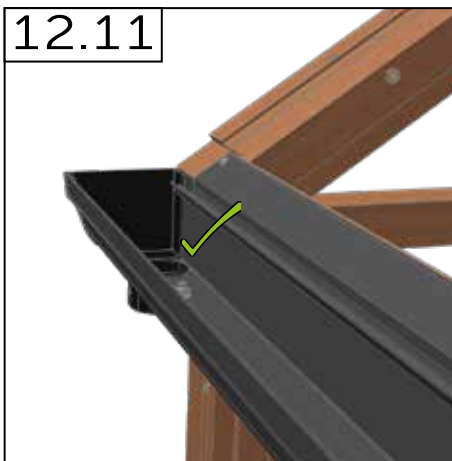
12.9



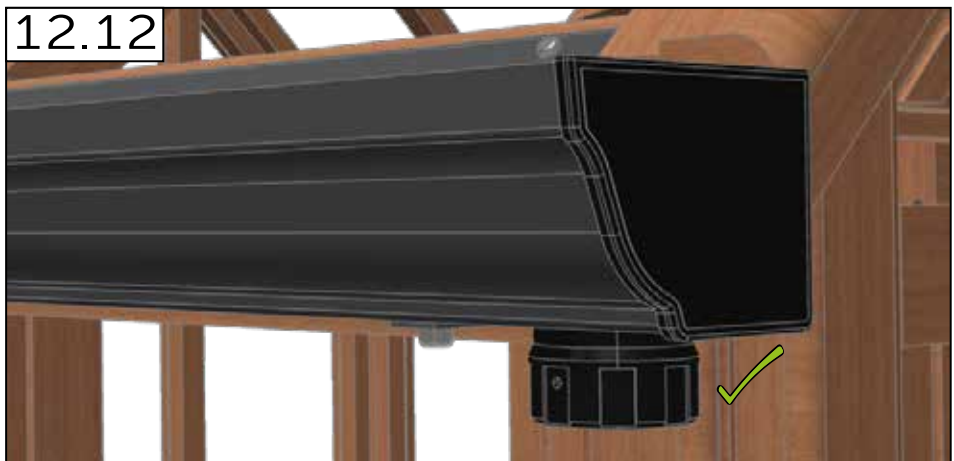
12.10



12.11

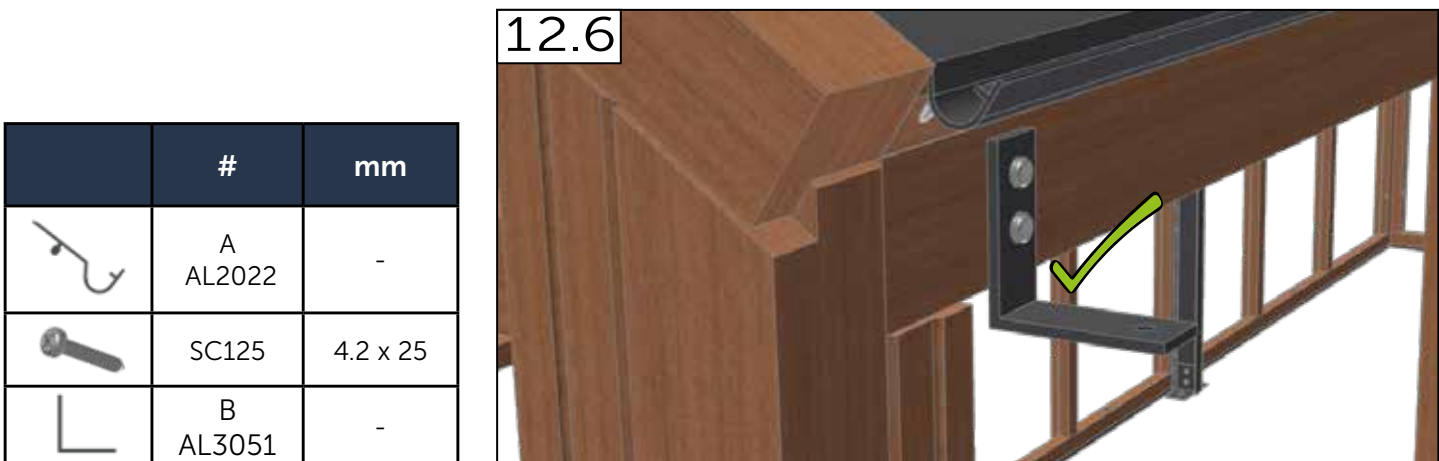
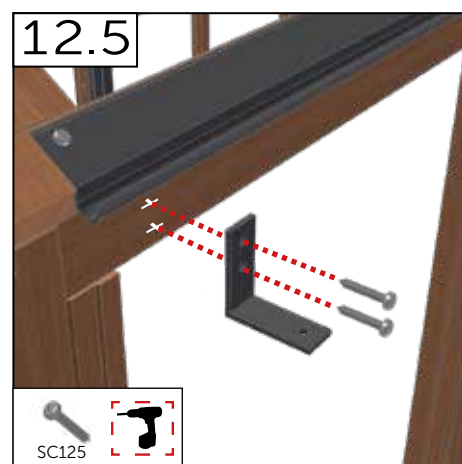
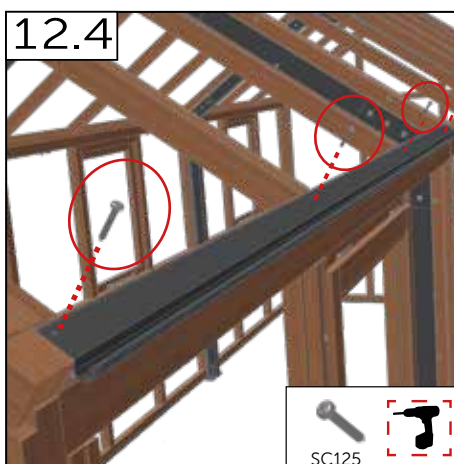
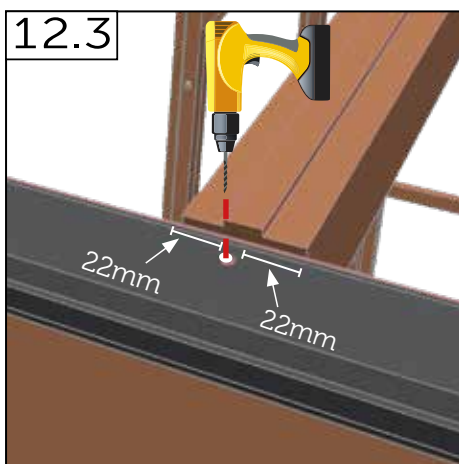
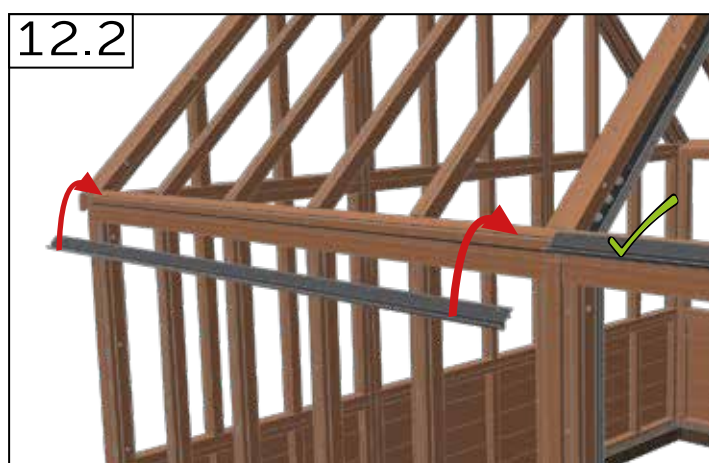





12.12





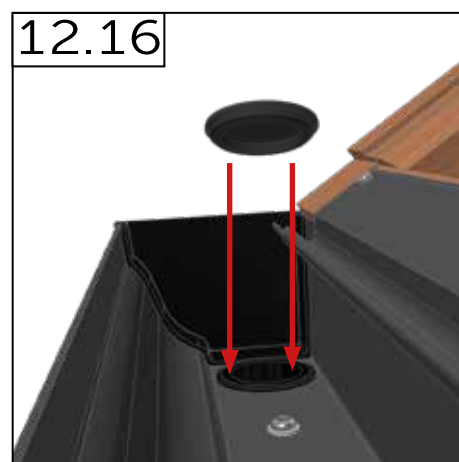
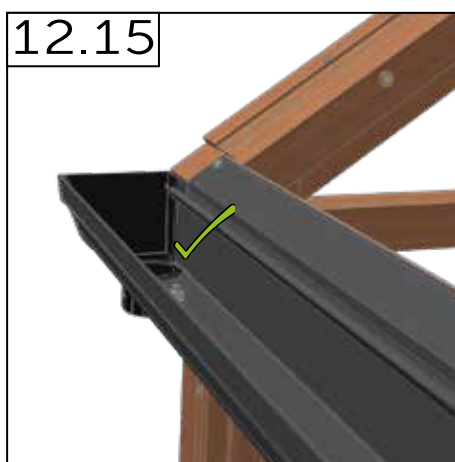
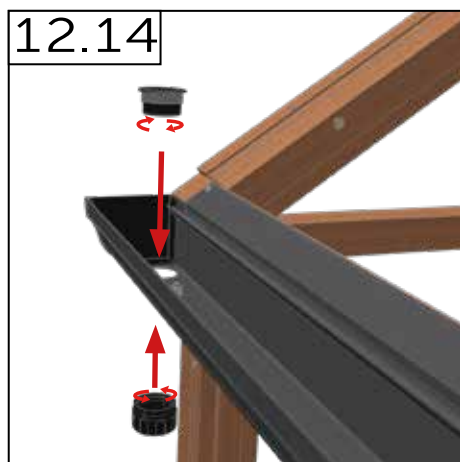
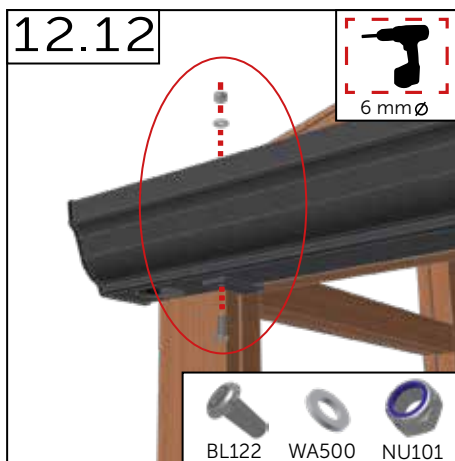
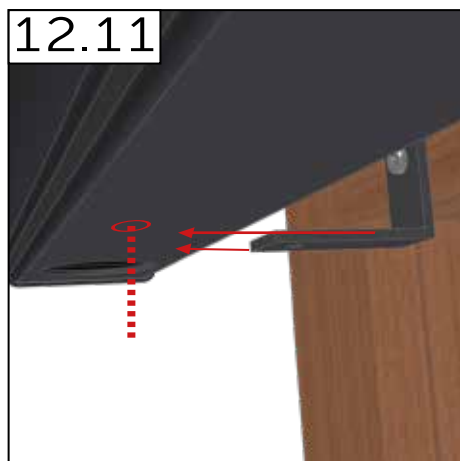
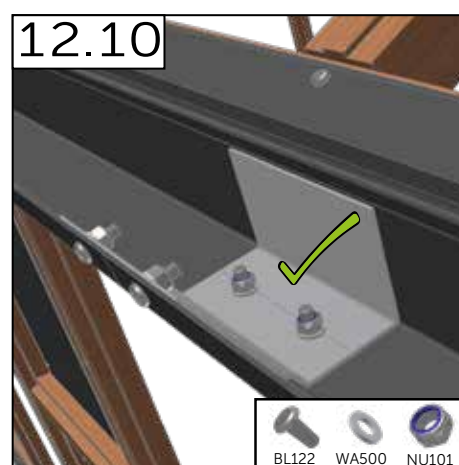
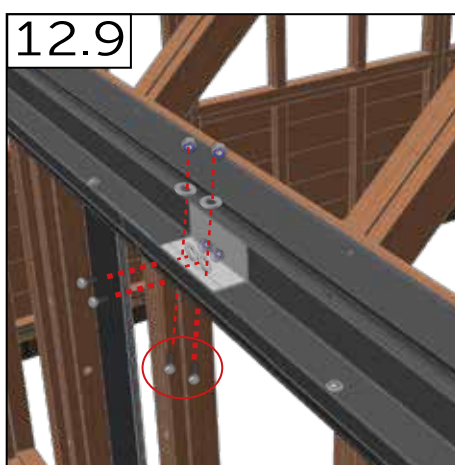
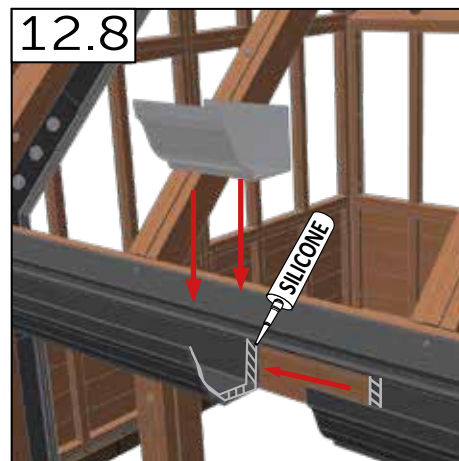
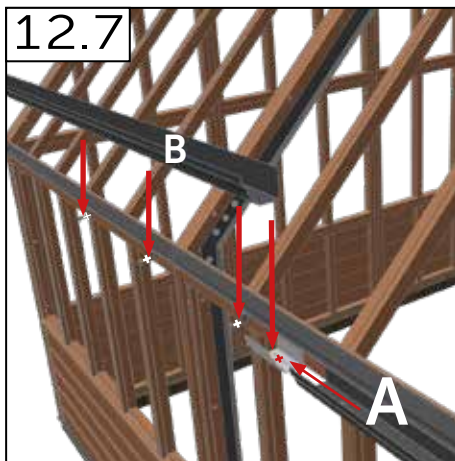
(Extension) Trims - Trimmer - Trimmen - Garnitures - Versierungen - Trimmit  
- Wykończenia - dornos



	#	mm
	A AL2022	-
	SC125	4.2 x 25
	B AL3051	-

(Extension) Trims - Trimmer - Trimmen - Garnitures - Versierungen - Trimmit  
 - Wykończenia - dornos

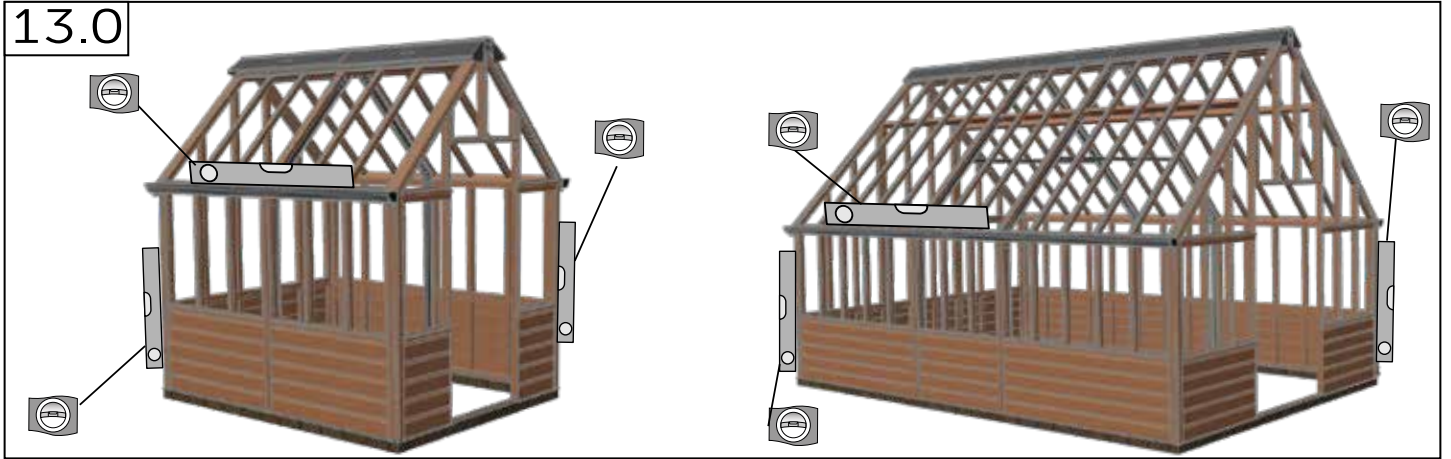
	#	mm
	A AL2014	-
	B AL2014	-
	C AL3018	-
	Silicone	-
	BL122	M6 x 16
	WA500	M6 x 16
	NU101	M6
	PT200	MALE FEMALE
	PT204	-



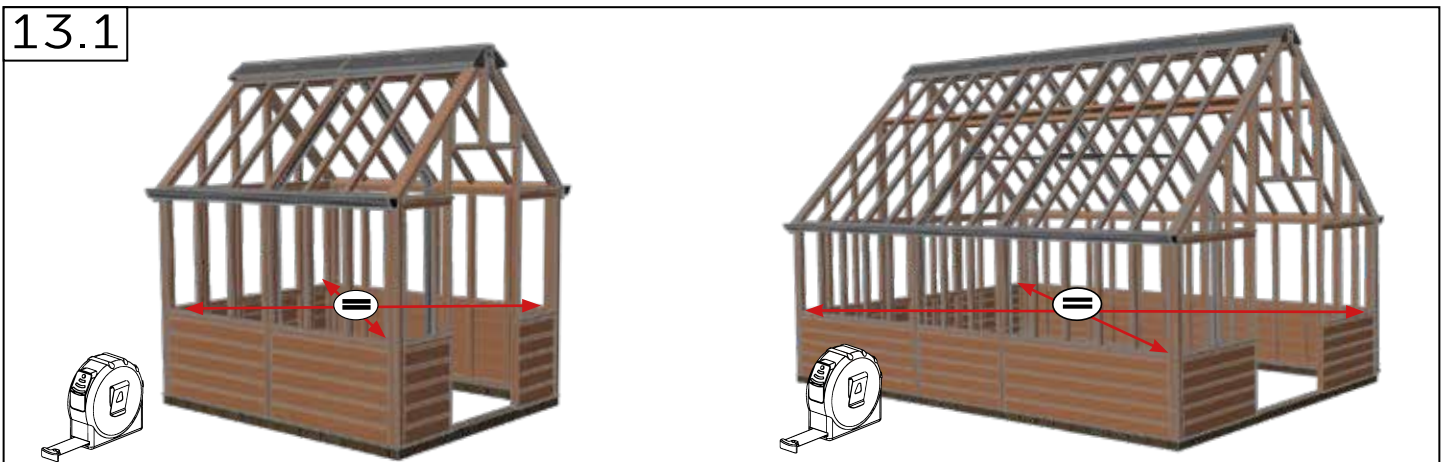


Securing - Sikring - Sicherung - Säkra - Sécurisation - Beveiligen  
 - Zabezpieczanie - Sikring - Asegurar

13.0

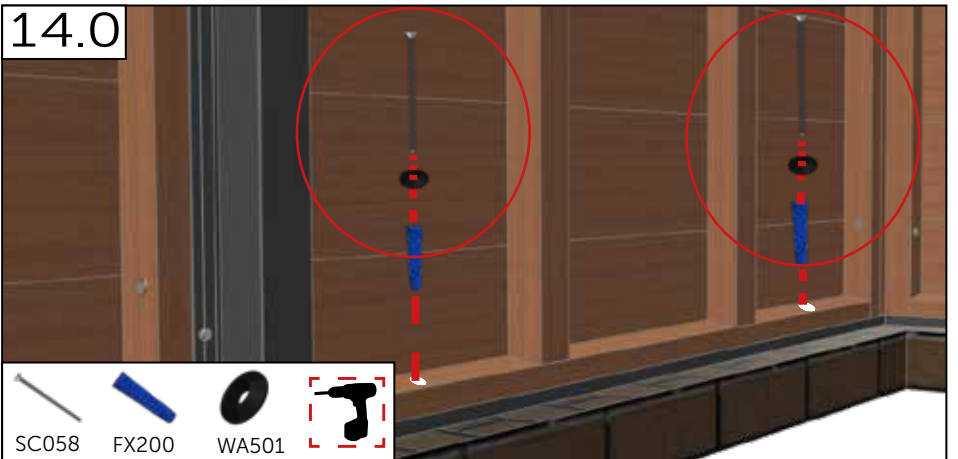


13.1

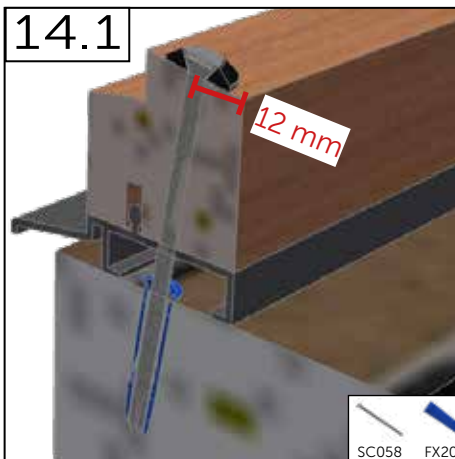


	#	mm
	SC058	4.8 x 100
	WA501	18 x 53
	FX200	8 x 40

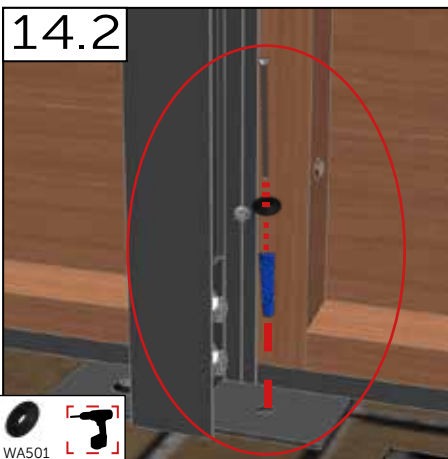
14.0



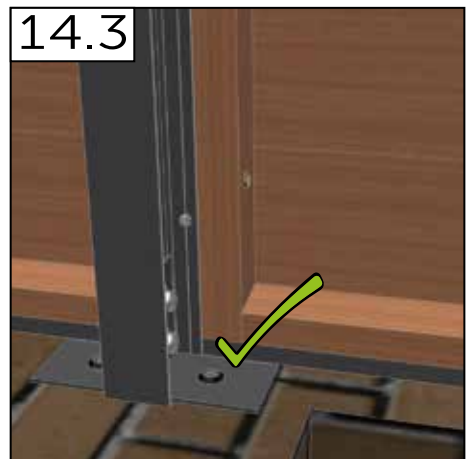
14.1



14.2



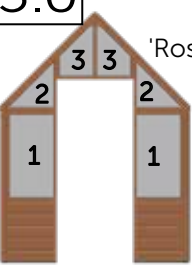
14.3



Toughened Glass - Hærdet glas - Sicherheitsglas - Säkerhetsglas - Verre Trempé Gehard Glas  
 - Karkaistu Turvalasi - Szkło Hartowane - Herdet glass - Vidrio templado

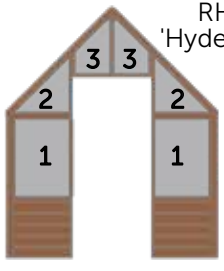
**15.0**

RHS 'Rosemoor'



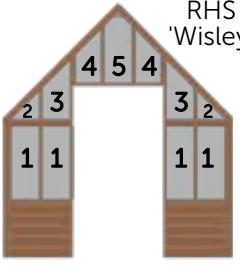
- 0469 x 0870
- 0484 x 0484
- 0359 x 0570

RHS 'Hyde Hall'



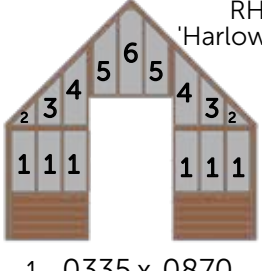
- 0611 x 0870
- 0626 x 0626
- 0399 x 0652

RHS 'Wisley'



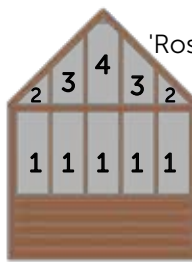
- 0335 x 0870
- 0350 x 0350
- 0335 x 0714
- 0311 x 0652
- 0335 x 0848

RHS 'Harlow Carr'




- 0335 x 0870
- 0350 x 0350
- 0335 x 0714
- 0335 x 1078
- 0335 x 1072
- 0335 x 1268

RHS 'Rosemoor'



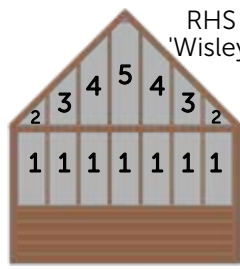
- 0335 x 0870
- 0350 x 0350
- 0335 x 0714
- 0335 x 0910

RHS 'Hyde Hall'



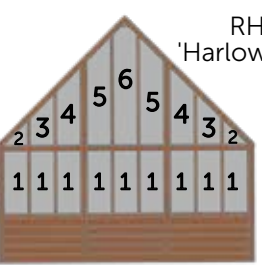
- 0335 x 0870
- 0350 x 0350
- 0335 x 0714
- 0335 x 1078

RHS 'Wisley'

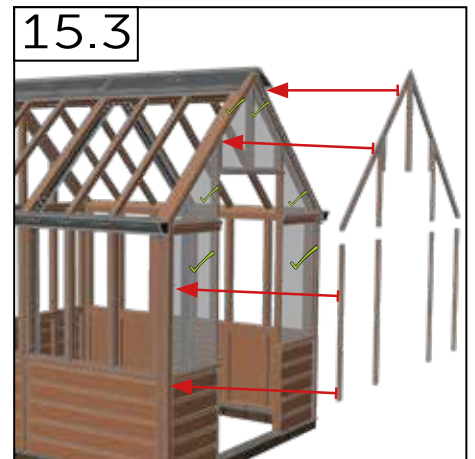
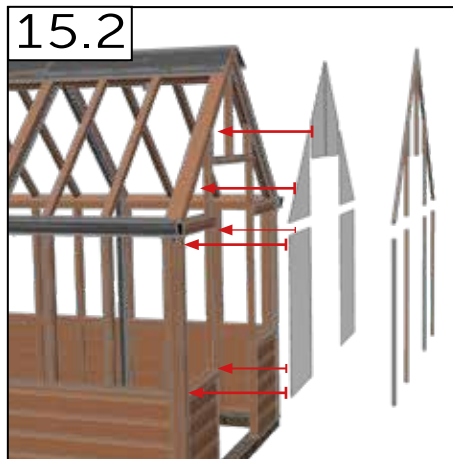
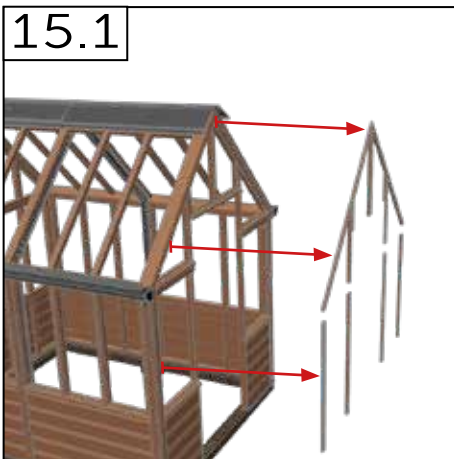


- 0335 x 0870
- 0350 x 0350
- 0335 x 0714
- 0335 x 1078
- 0335 x 1274

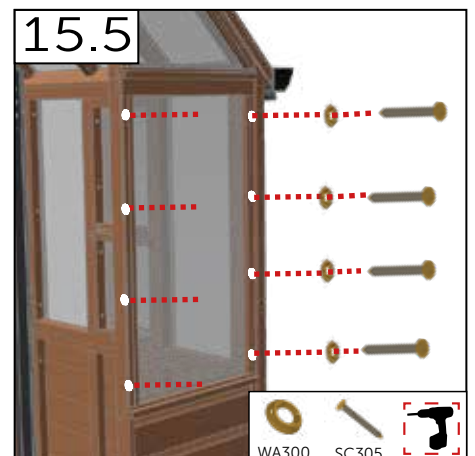
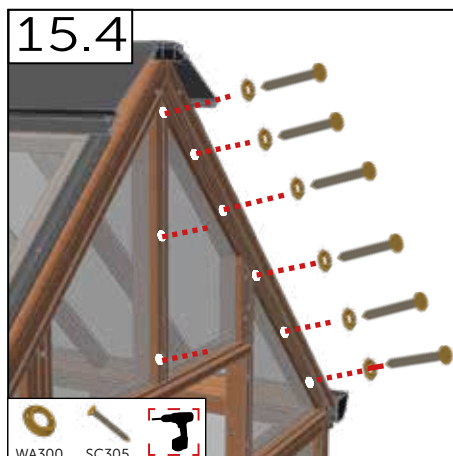
RHS 'Harlow Carr'



- 0335 x 0870
- 0350 x 0350
- 0335 x 0714
- 0335 x 1078
- 0335 x 1498

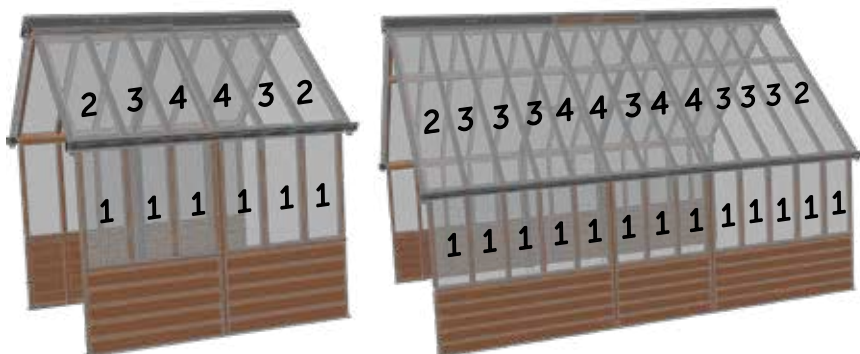


	#	mm
	GLASS	-
	A AL2009	-
	SC125	4.2 x 25
	SC305	3.5 x 32
	WA300	No. 6





16.0



RHS 'Rosemoor'

1. 0335 x 0870
2. 0405 x 1201
3. 0345 x 1201
4. 0373 x 1201

RHS 'Hyde Hall'

1. 0335 x 0870
2. 0405 x 1459
3. 0345 x 1459
4. 0373 x 1459

RHS 'Wisley'

1. 0335 x 0870
2. 0405 x 1716
3. 0345 x 1716
4. 0373 x 1716

RHS 'Harlow Carr'

1. 0335 x 0870
2. 0405 x 1201
3. 0345 x 1201
4. 0373 x 2310

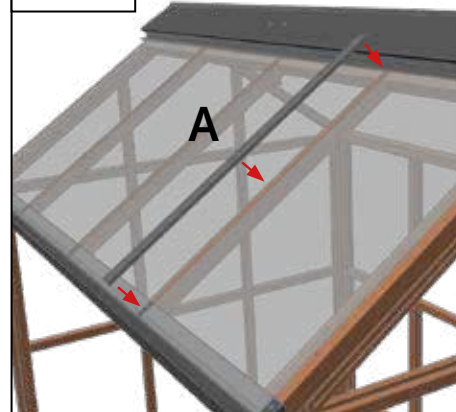
16.1



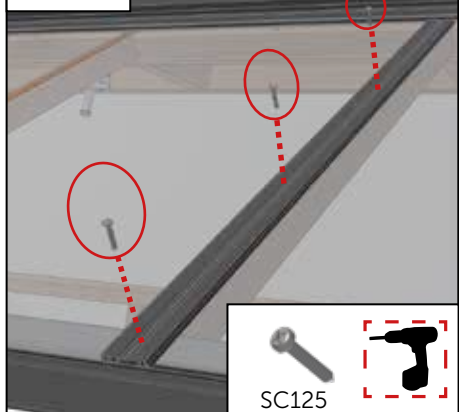
16.2



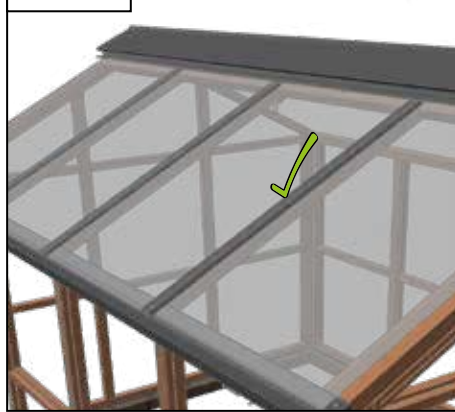
16.3



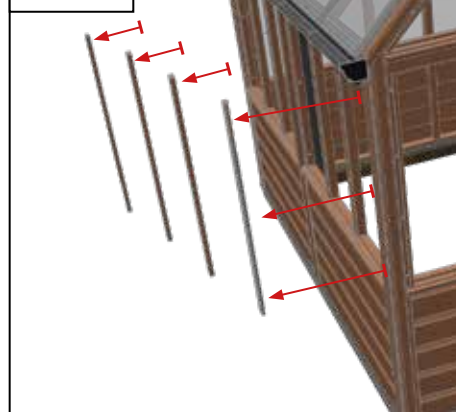
16.4



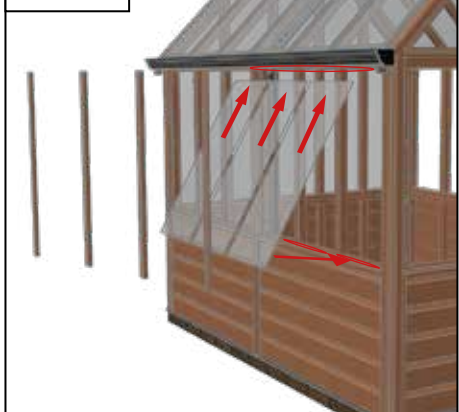
16.5



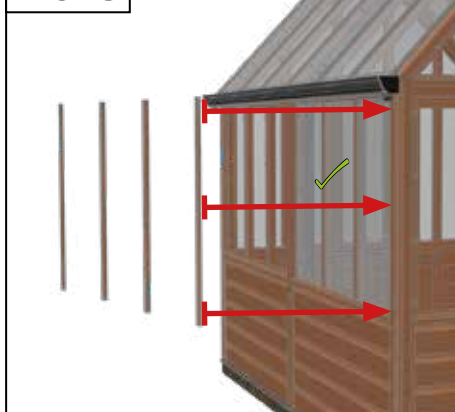
16.6



16.7



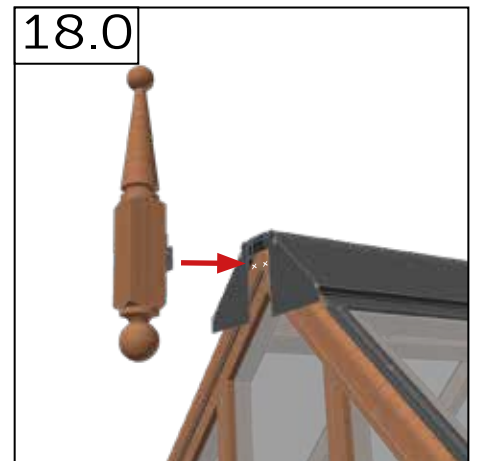
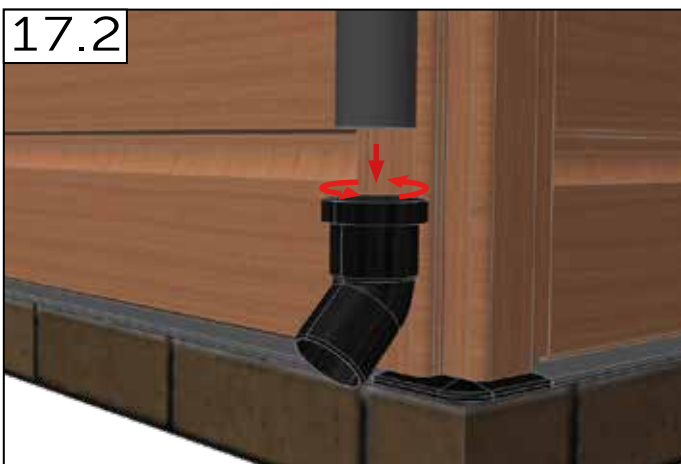
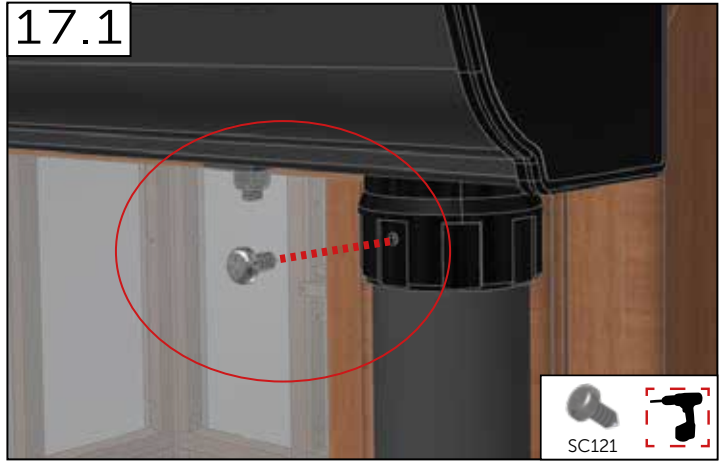
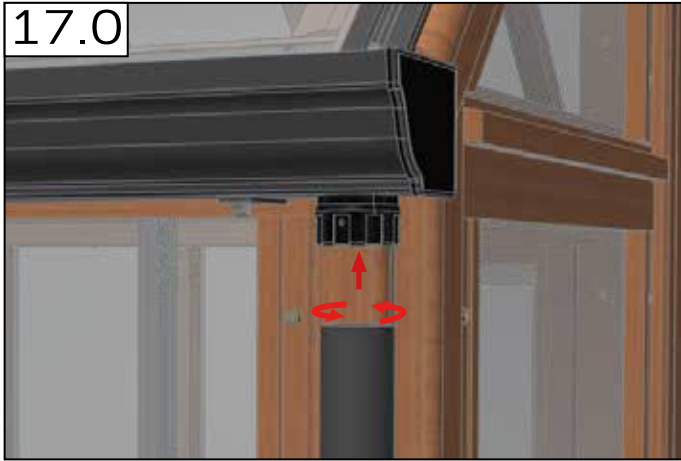
16.8



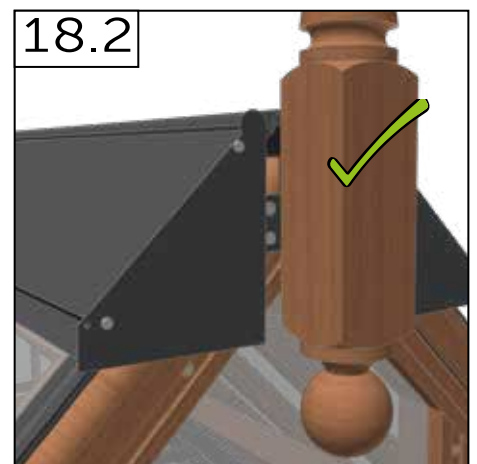
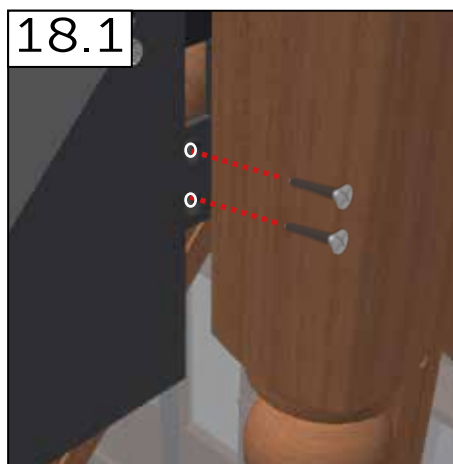
16.9



Finishing - Finition - Efterbehandling - Abschluss - Efterbehandling  
 - Refinamiento - Efterbehandling



	#	mm
	SC121	4.2 x 9.5
	SC125	4.2 x 25
	SC024	4.2 x 38
	AL2016	1447
	PT201	-
	PT203	-
	W491	-











G A B R I E L A S H

[www.gabrielash.com](http://www.gabrielash.com)

As part of our policy of continuous development and improvement.  
We reserve the right to modify any of the information set out within this document and any related  
documentation at any time without notice.

This product is delivered by a company in the Juliana Group - [www.juliana.com](http://www.juliana.com)

®The Royal Horticultural Society. The Royal Horticultural Society, and its logo, are trade marks of The Royal  
Horticultural Society.

(Registered Charity No. 222879/SC038262) and used under licence from RHS Enterprises Limited.